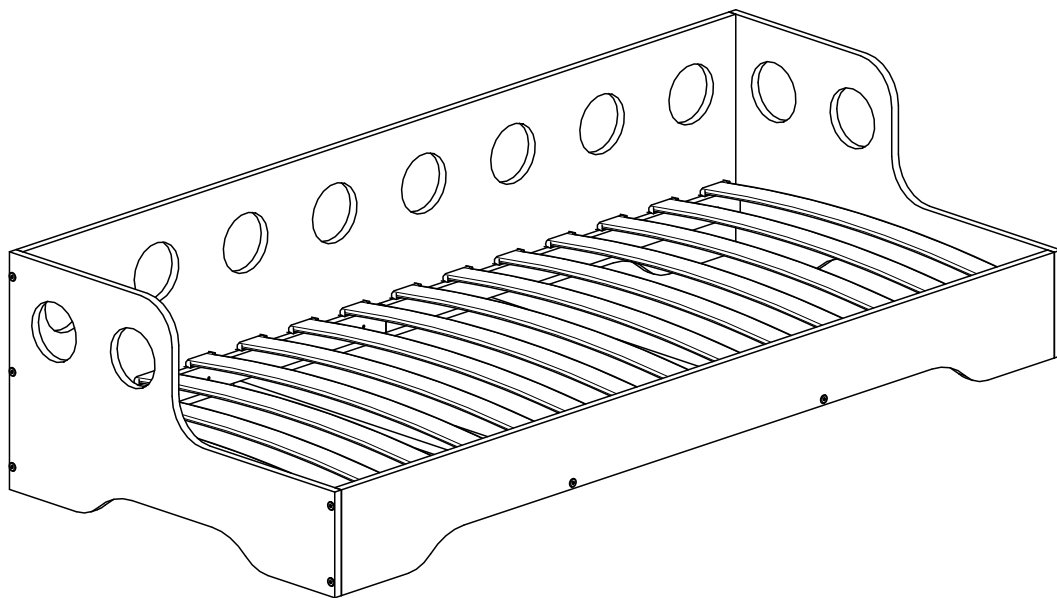


# TILA 5



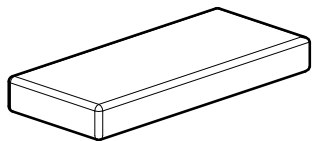


Beds are for sleeping,  
not for jumping

Prohibit more than  
one person on bed



# IMPORTANT

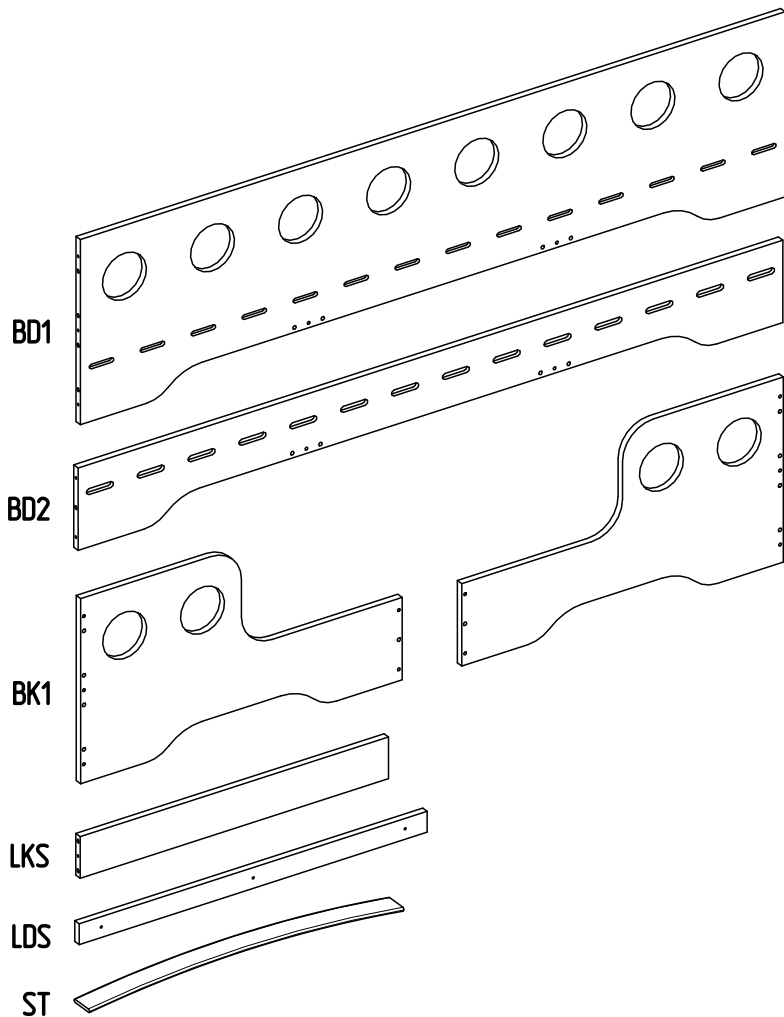


Use only mattresses  
with thickness of 8–12 cm



Bed parts have 2 years  
warranty in normal use

Wooden parts should be cleaned with a dry cloth and ordinary  
mild detergents for the care and cleaning of wooden parts



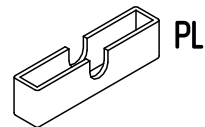
BK2

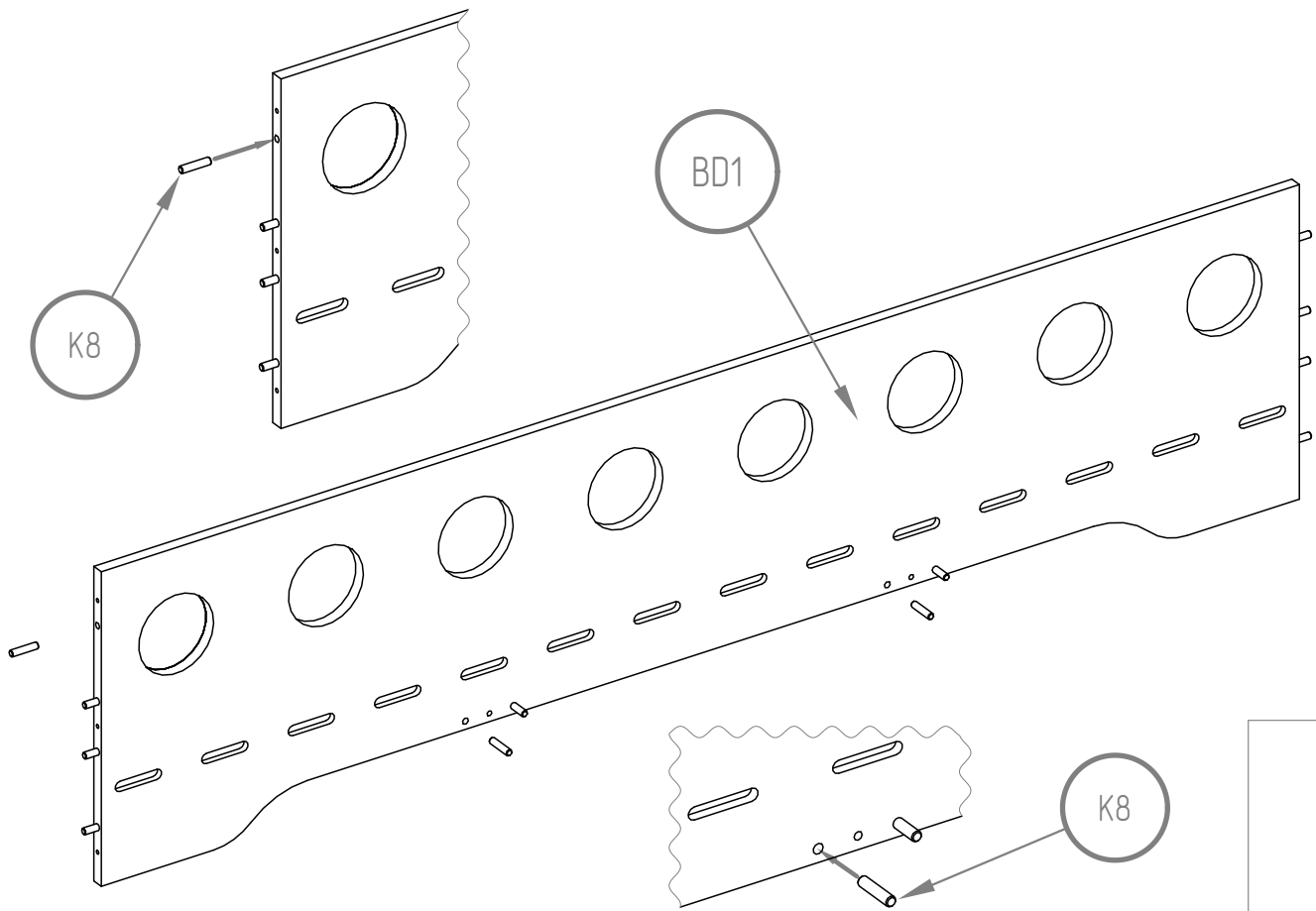
## TILA 5

BD1	x1
BD2	x1
BK1	x1
BK2	x1
LKS	x2
LDS	x4
ST	x12-16

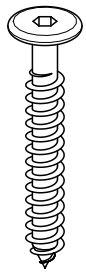
## SCREWS

S50	x14
K8	x18
W25	x12
PL	x24-32

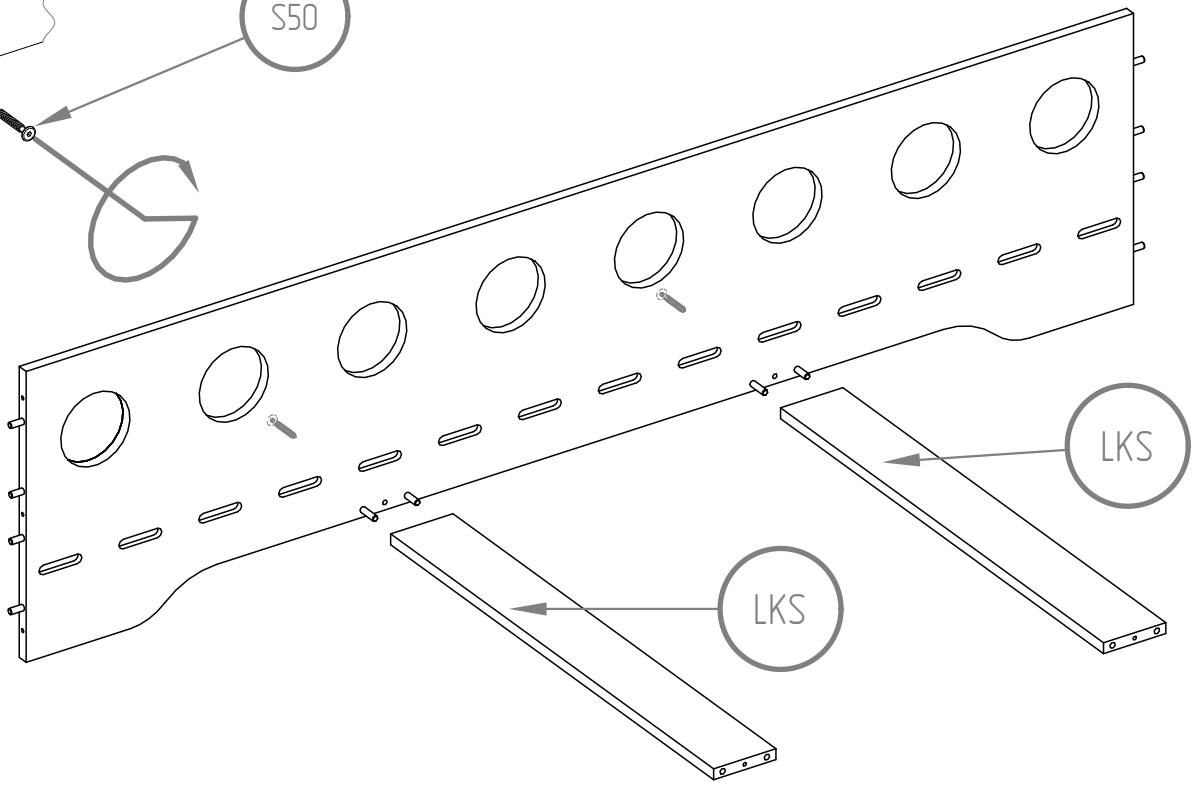
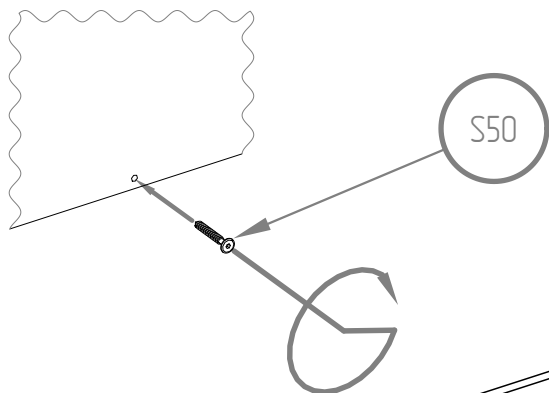




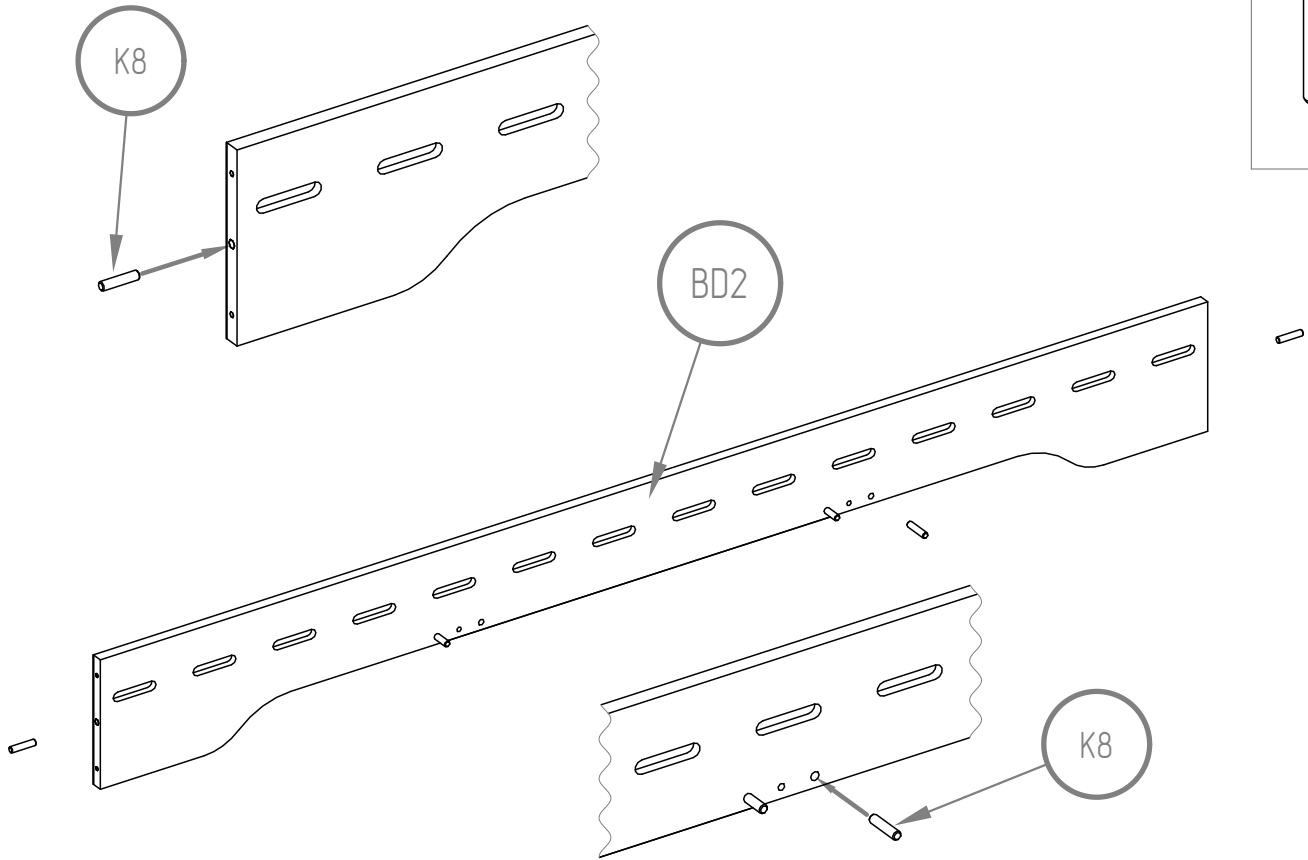
**K8** M8x35



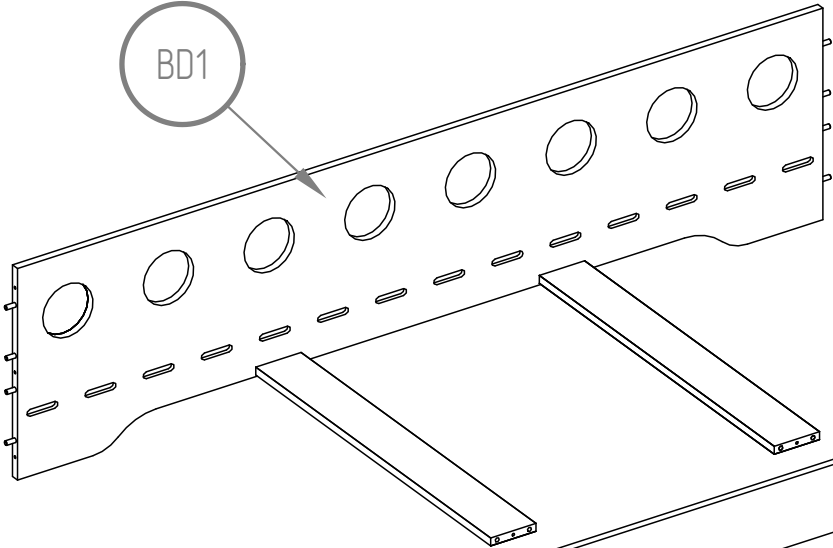
**S50**  
M6x50



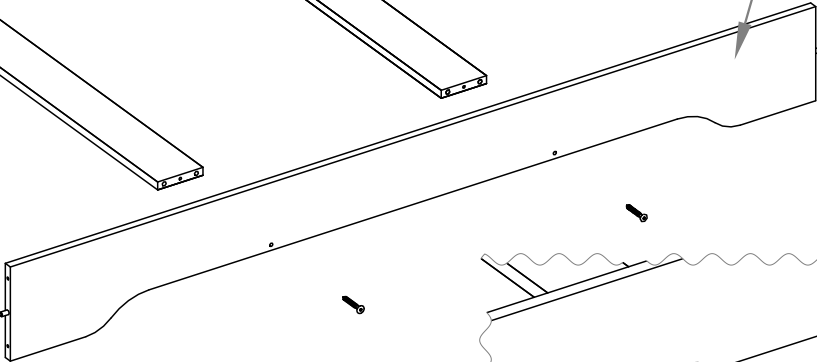
**K8**  
M8X35



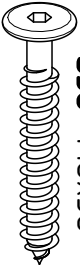
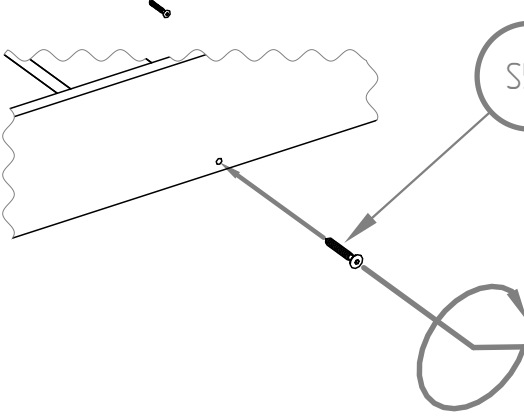
BD1



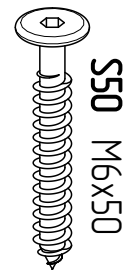
BD2



S50

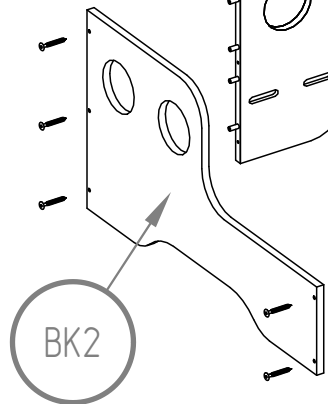
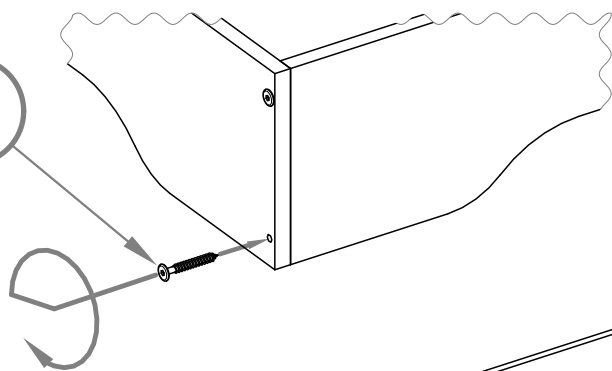


S50 M6x50

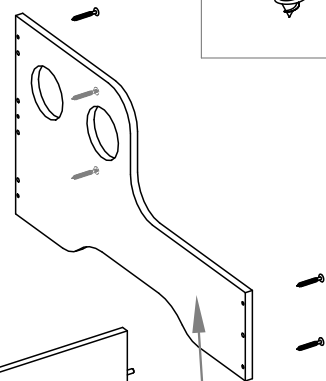


S50 M6x50

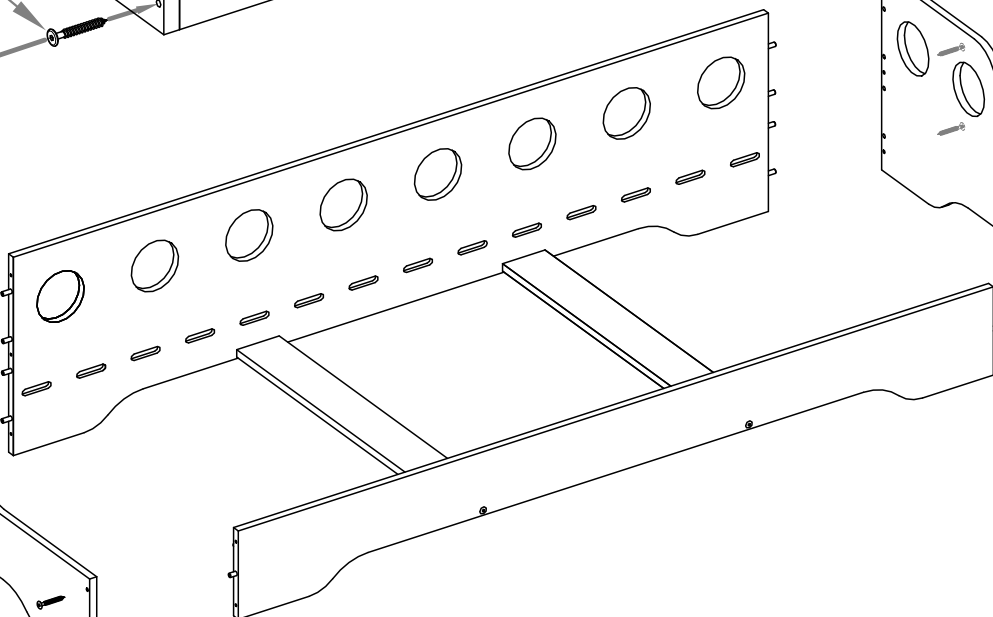
S50



BK2

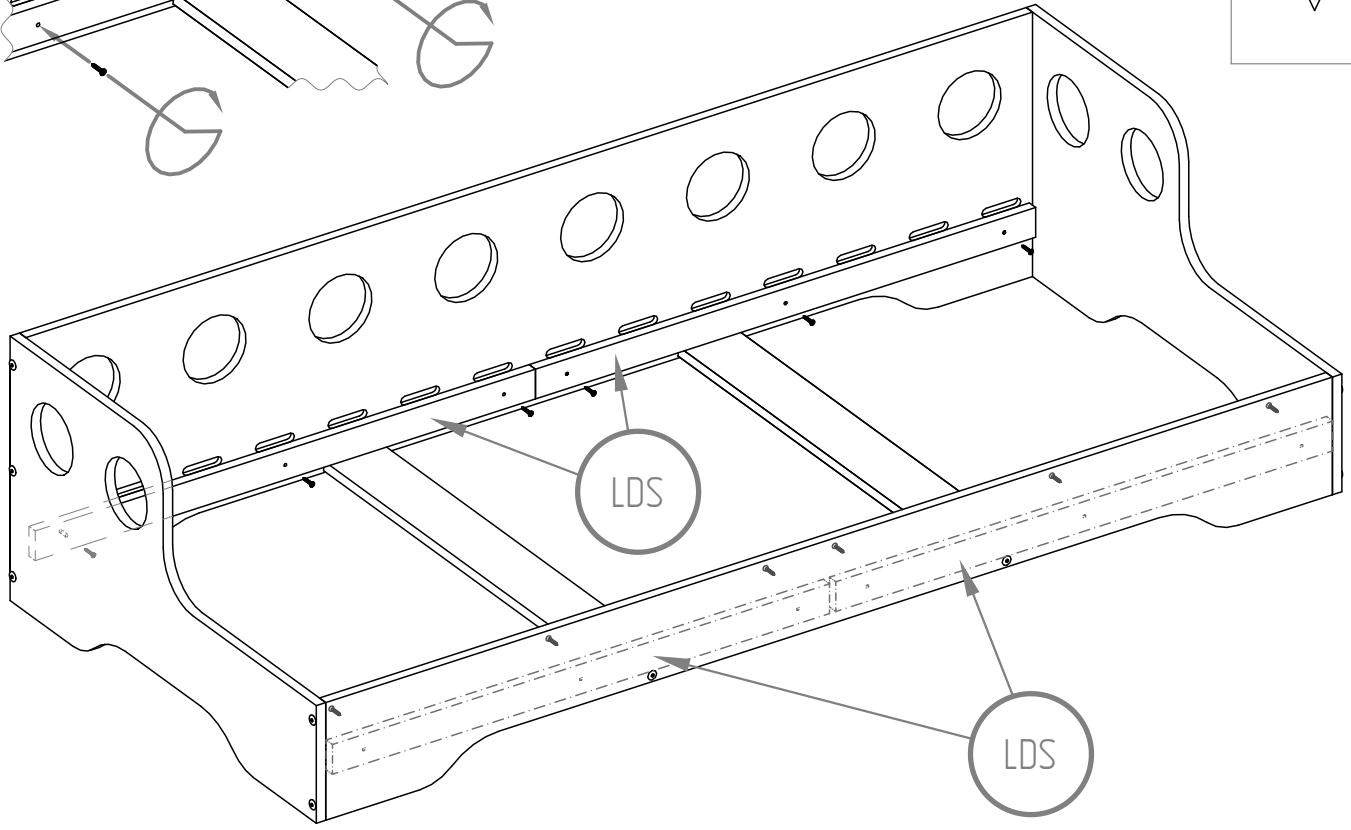
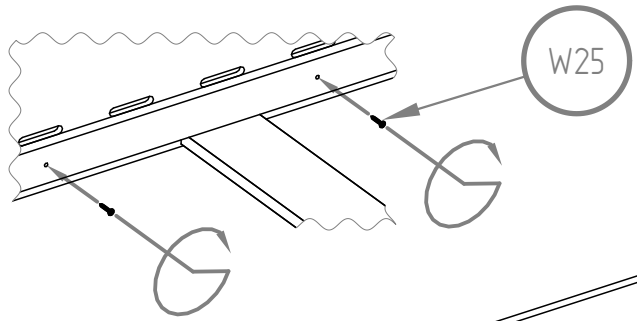
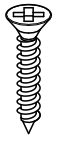


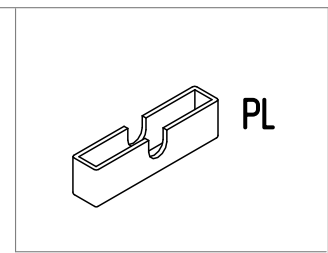
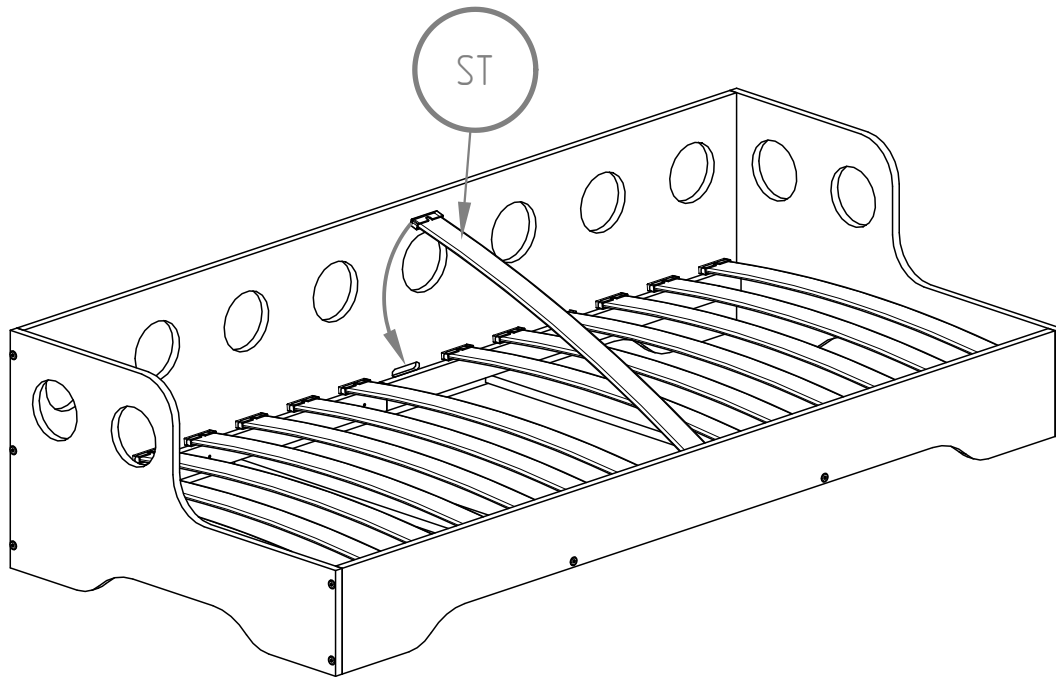
BK1





W25 M4x25





## Important!

Install the plastic caps before assembling the ST spring slats to the bed frame.

