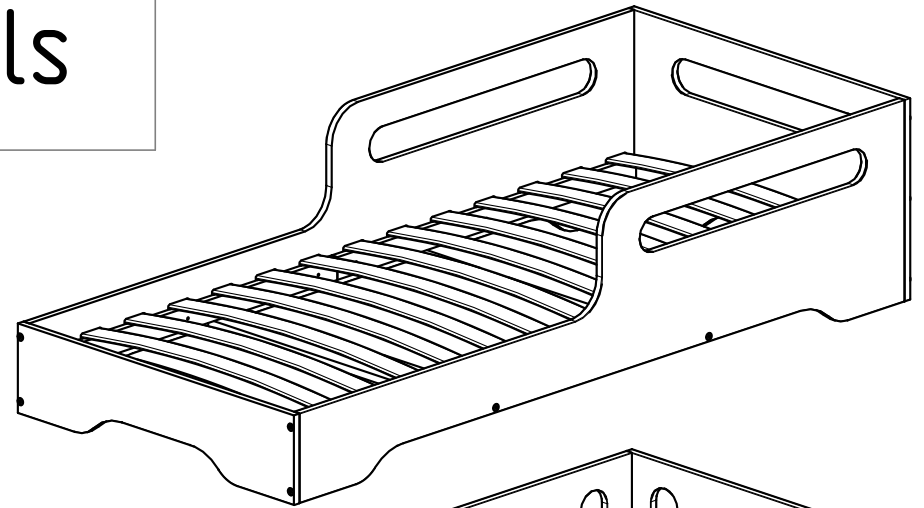
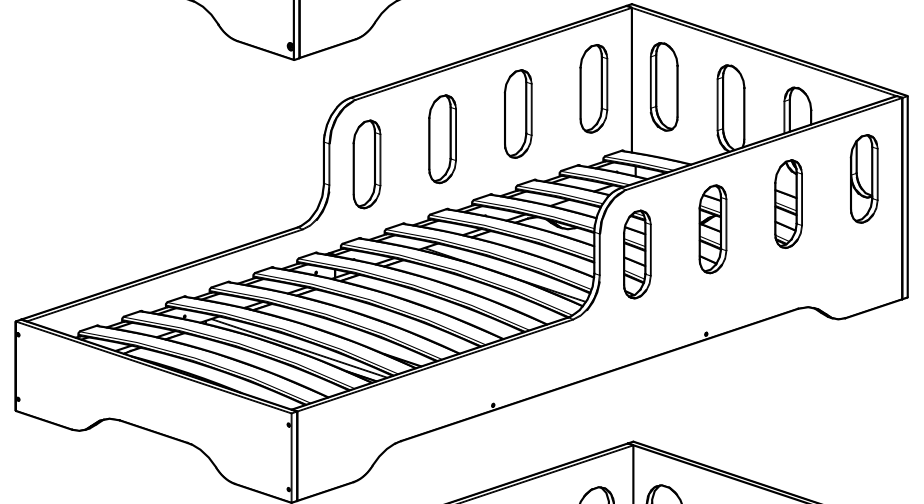


# Assembly instruction for models

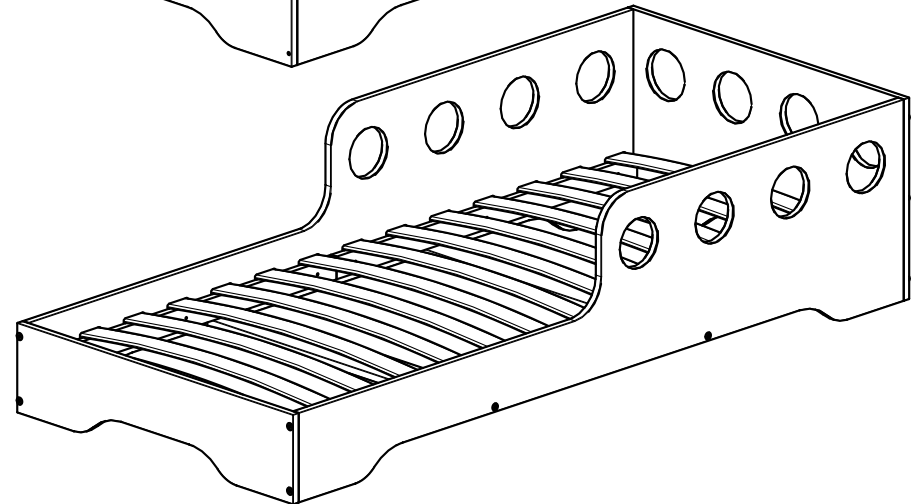
TILA 3

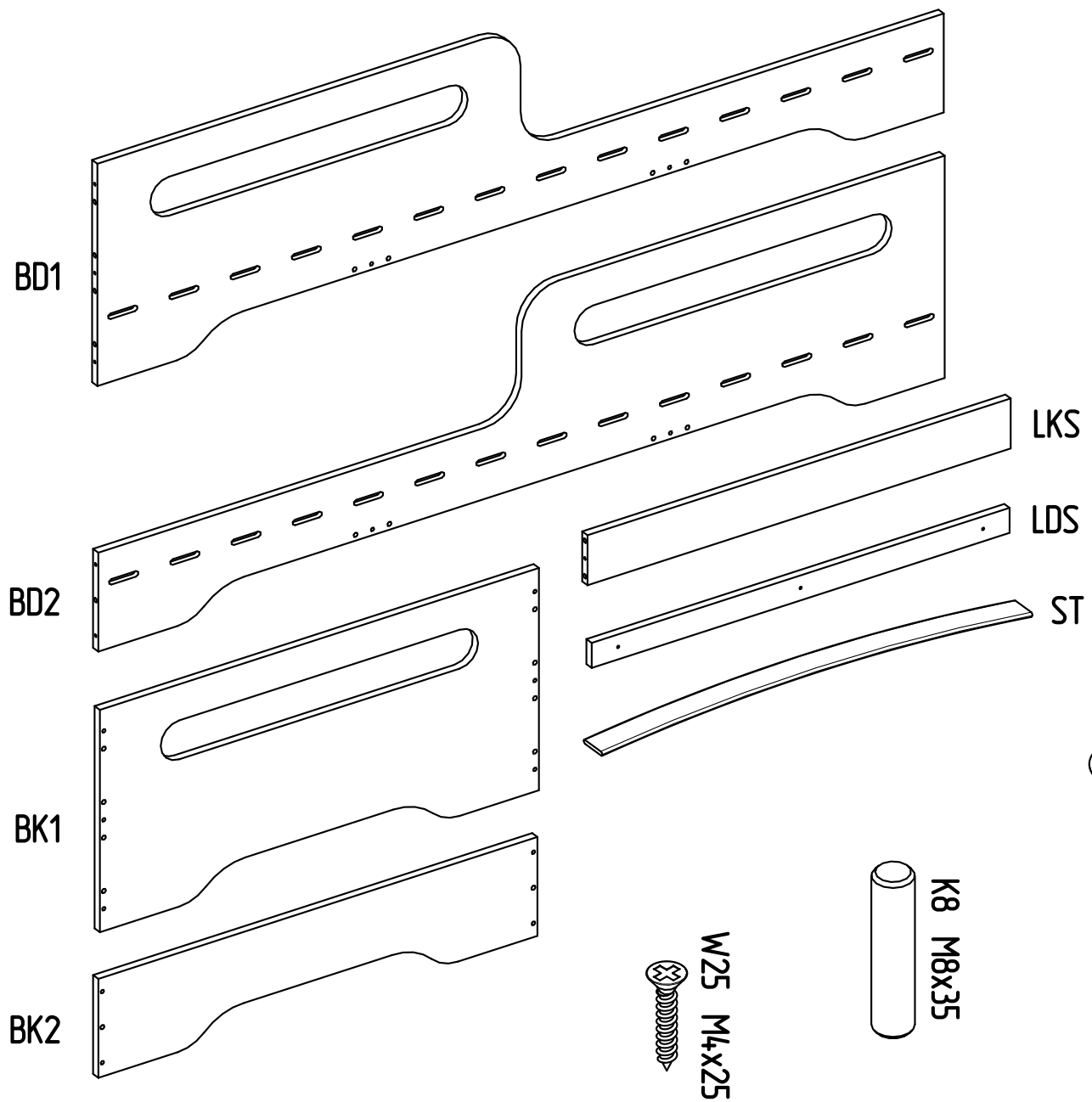


TILA 6



TILA 6C





# ELEMENTS

BD1	x1
BD2	x1
BK1	x1
BK2	x1
LDS	x4
LKS	x2
ST	x12-16

# SCREWS

S50	x14
K8	x18
W25	x12

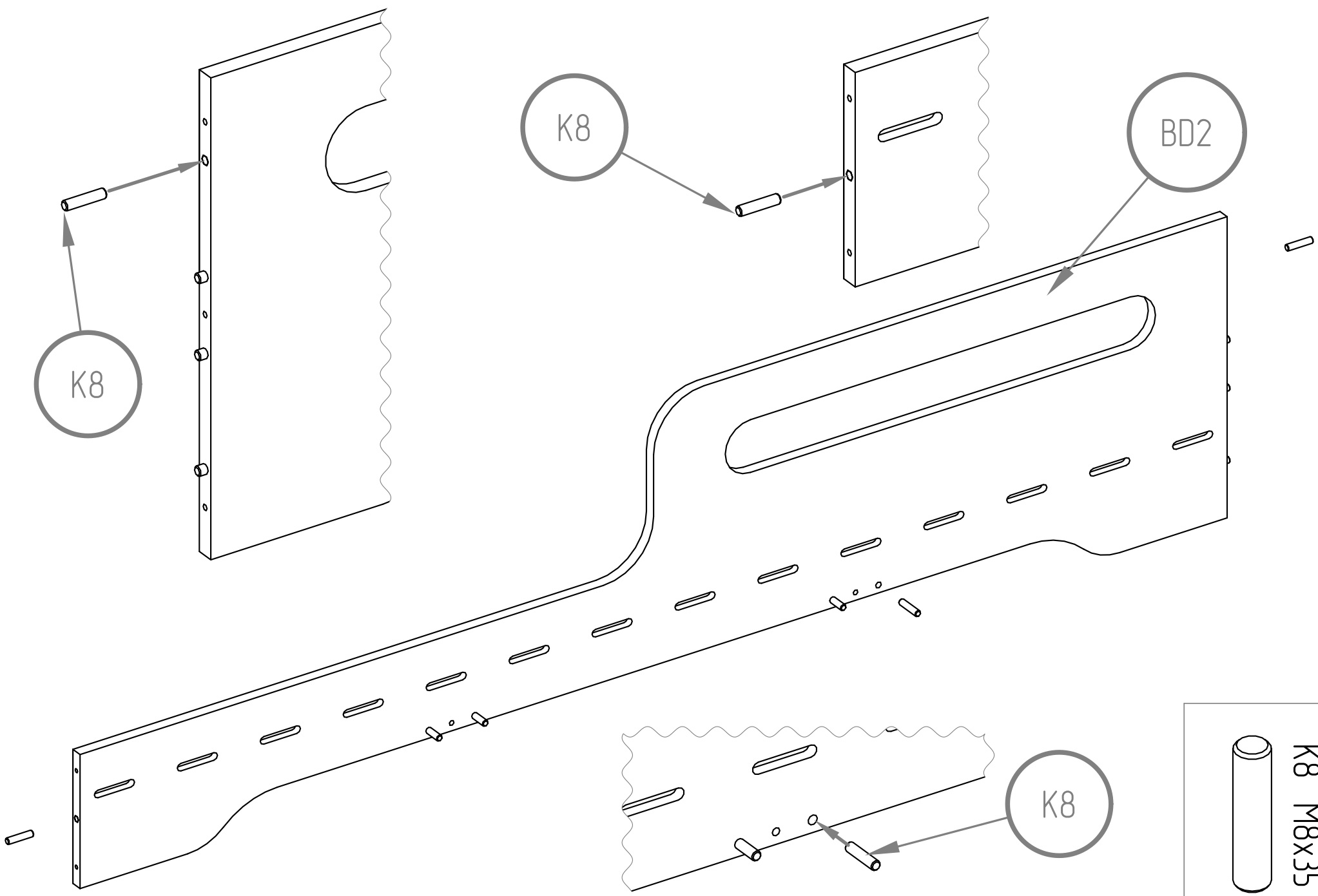
K8

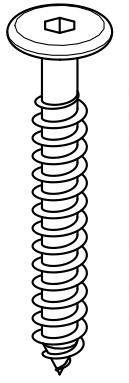
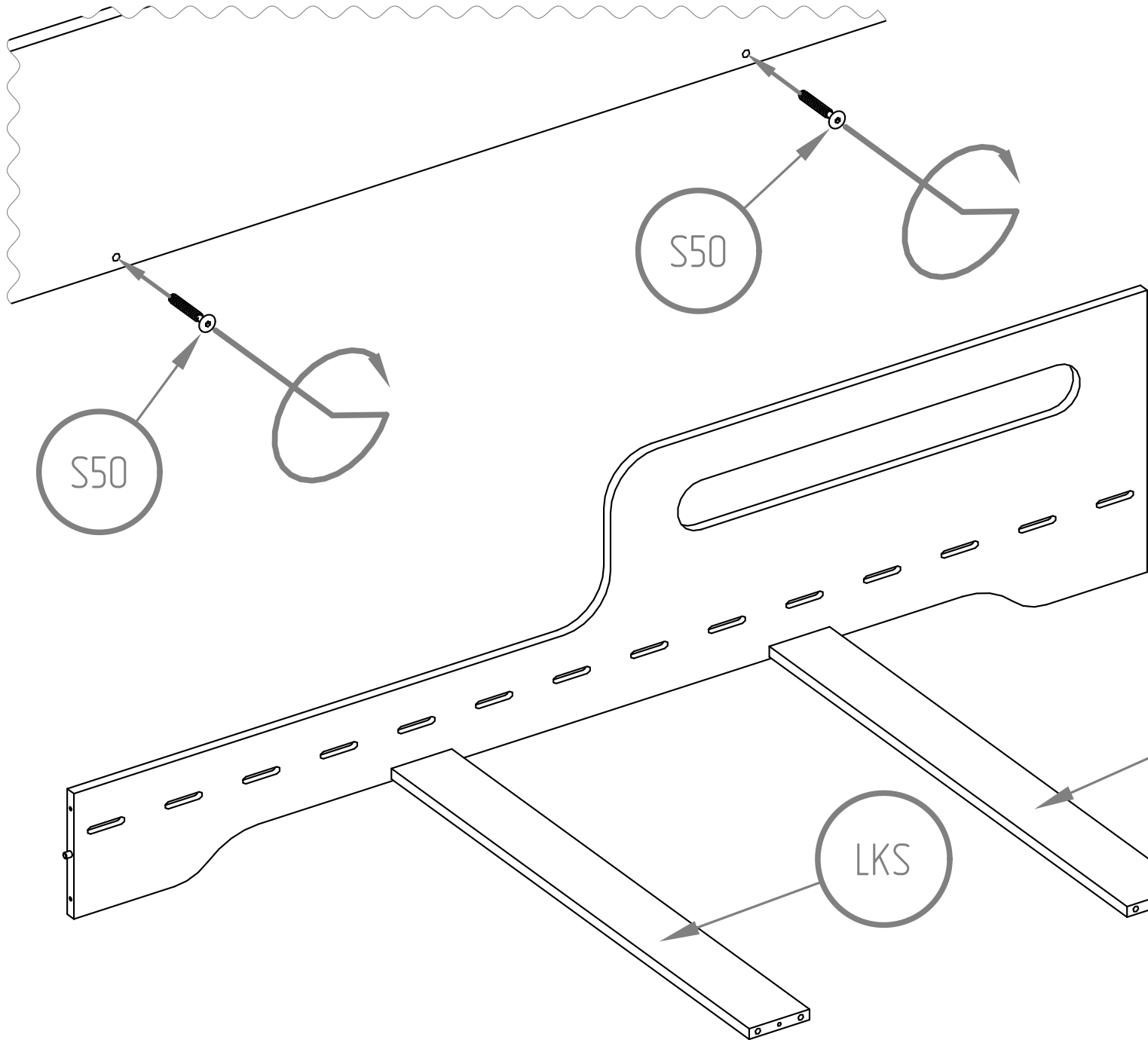
BD2

K8

K8

K8 M8X35

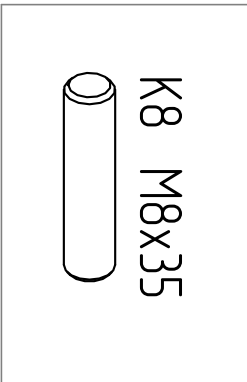
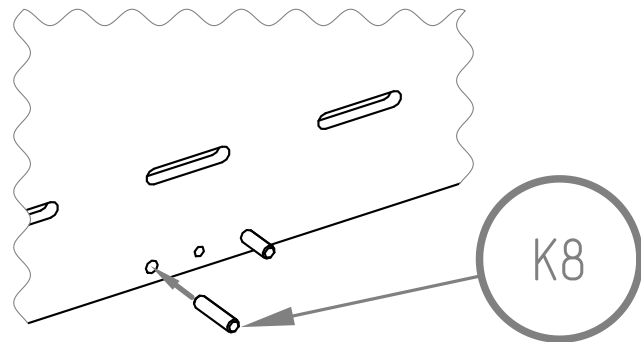
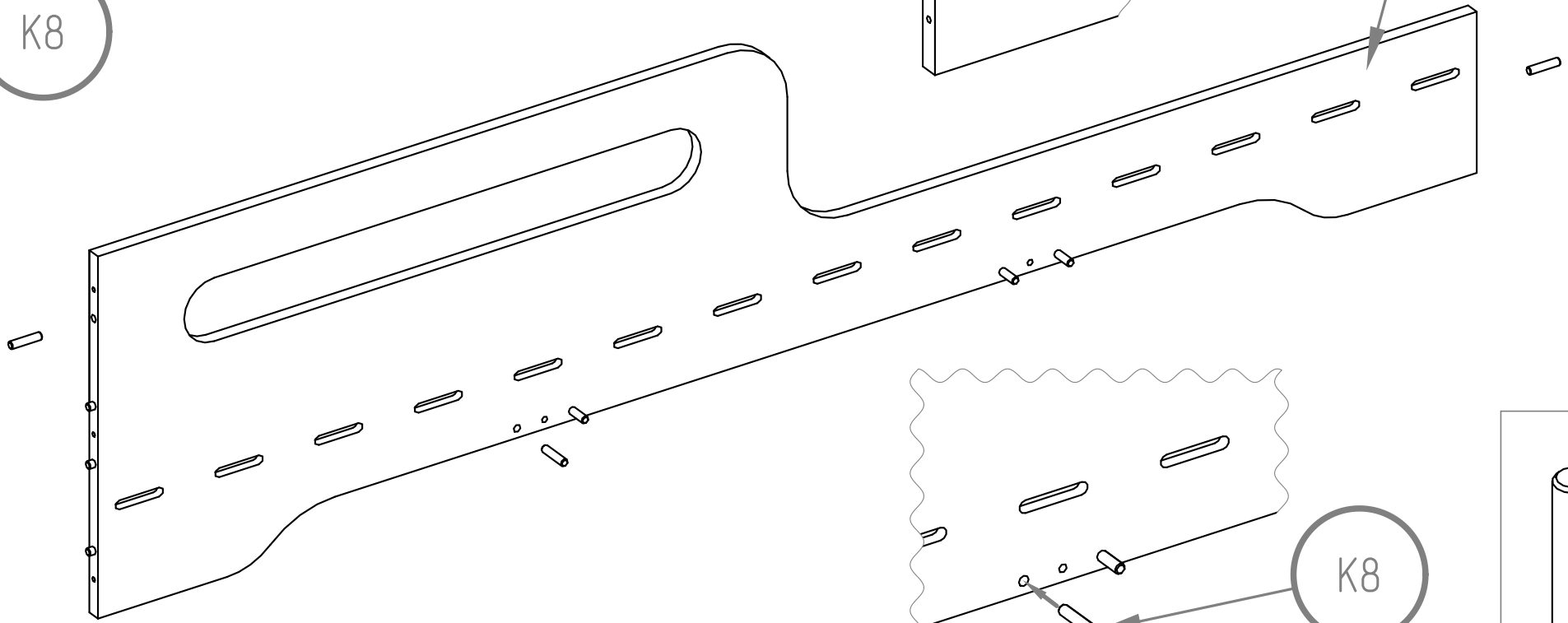
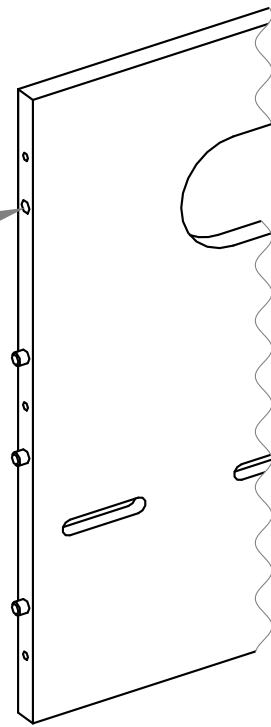
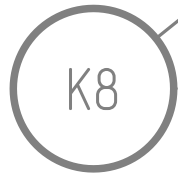
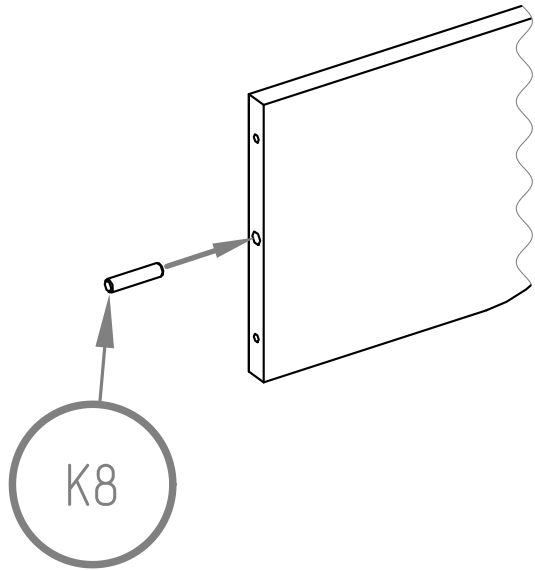


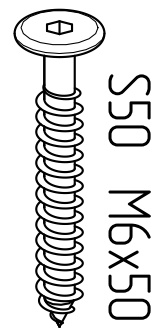
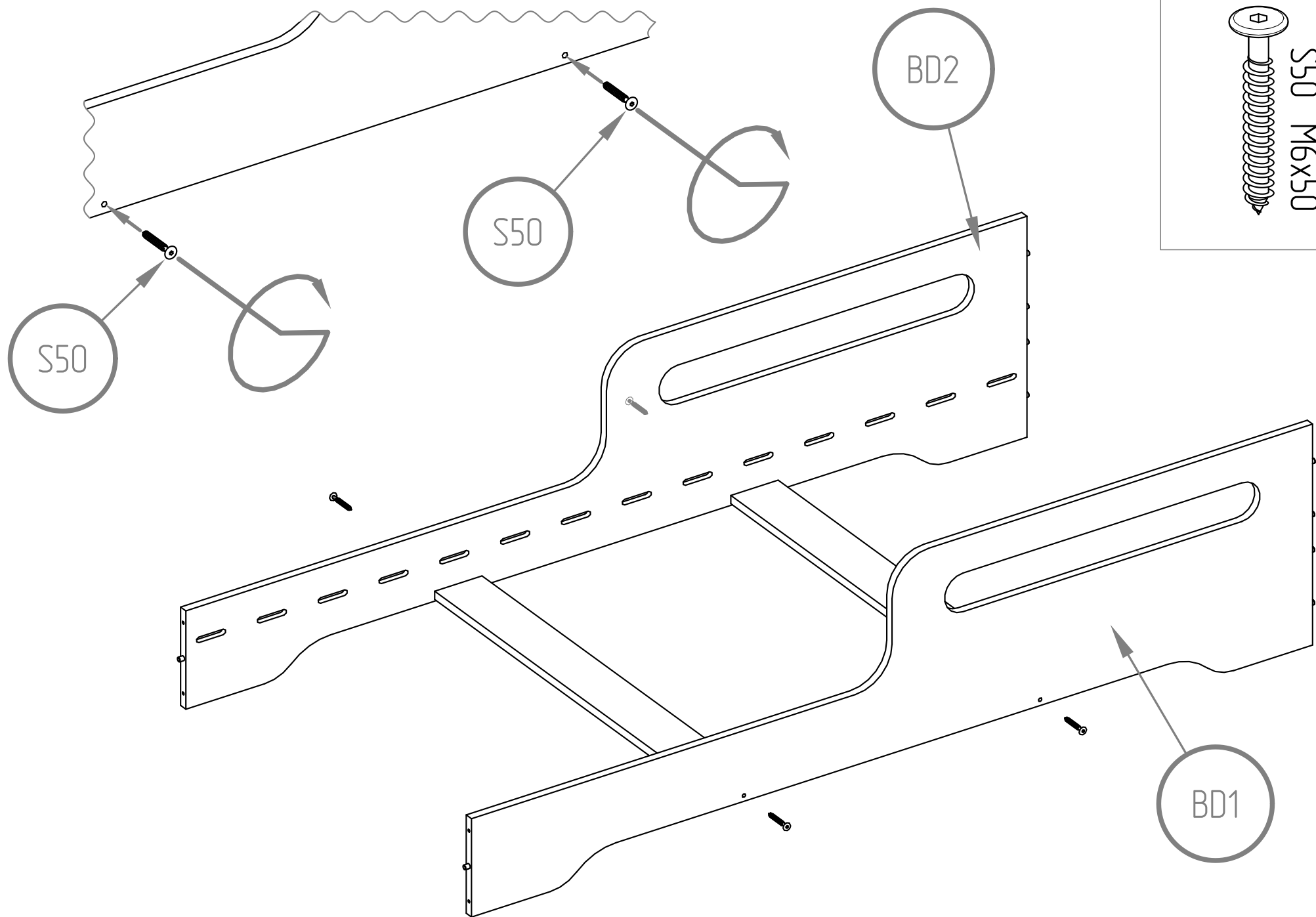


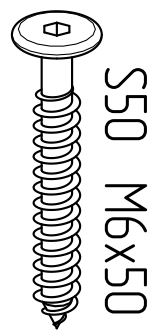
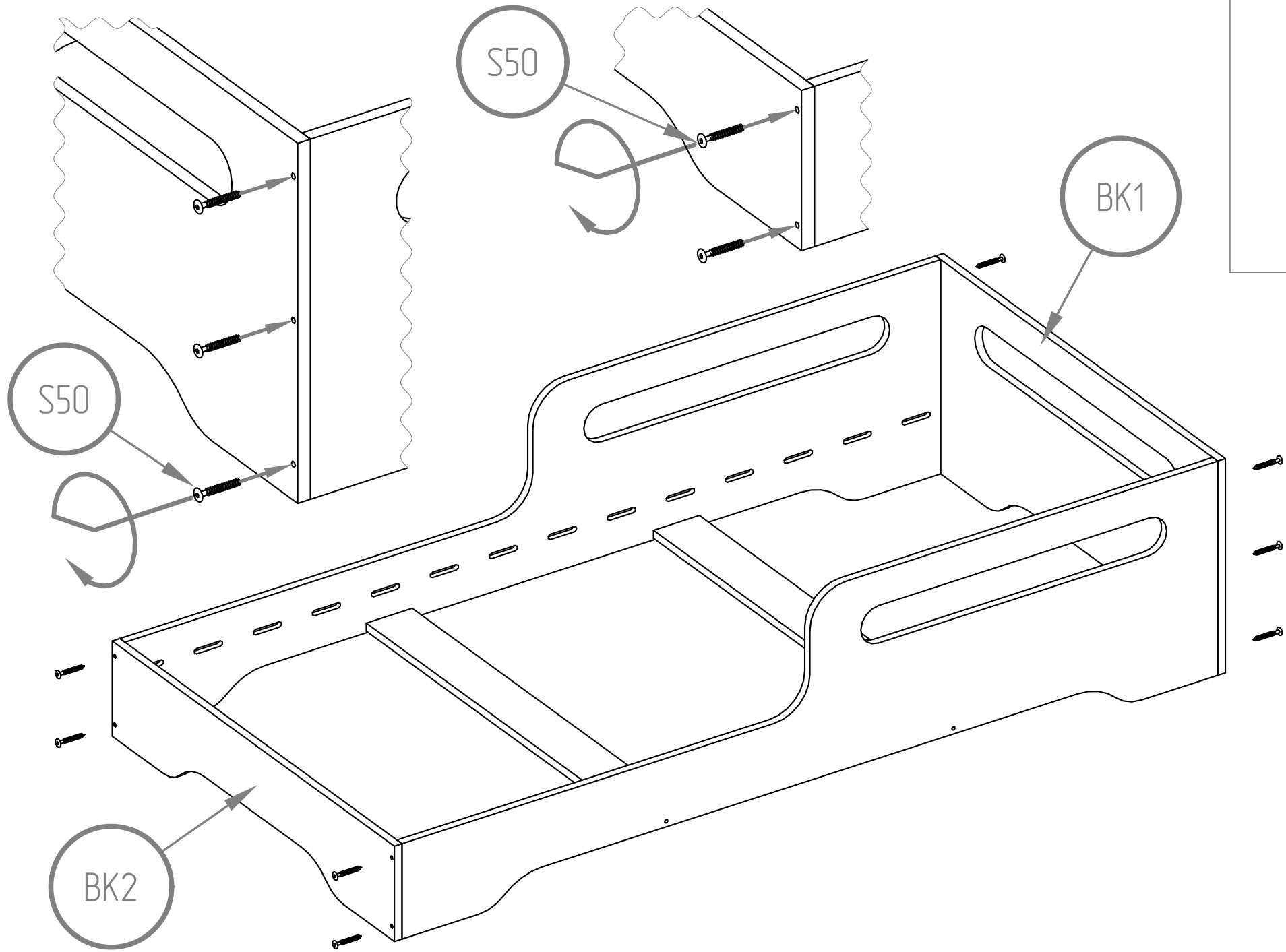
S50 M6x50

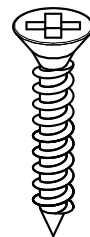
LKS

LKS

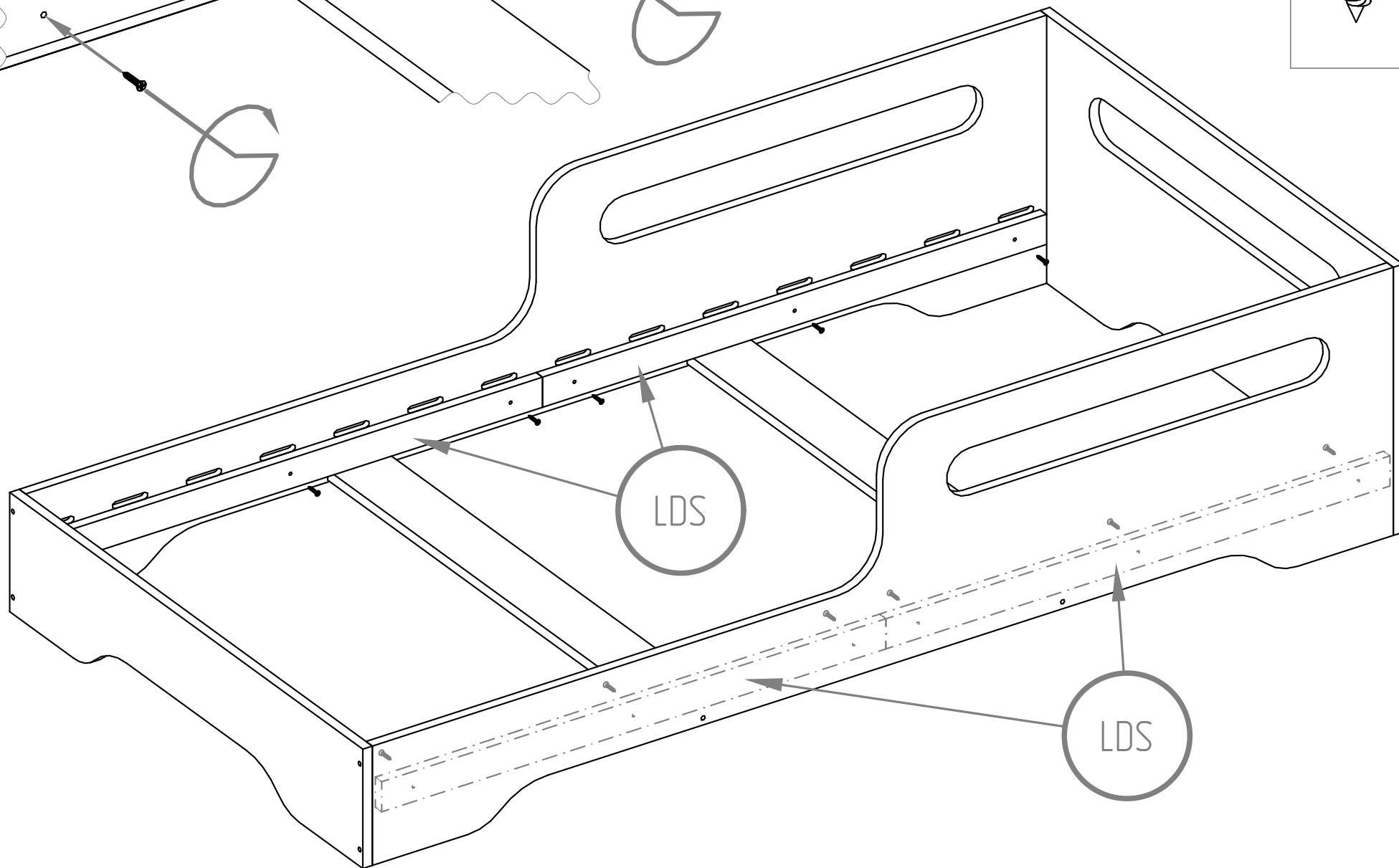
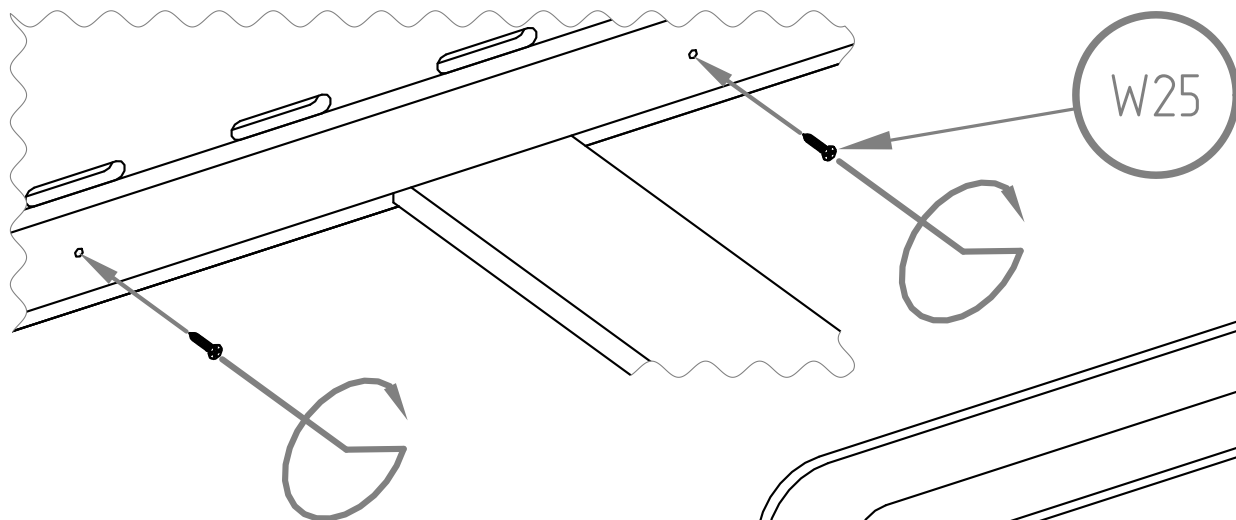








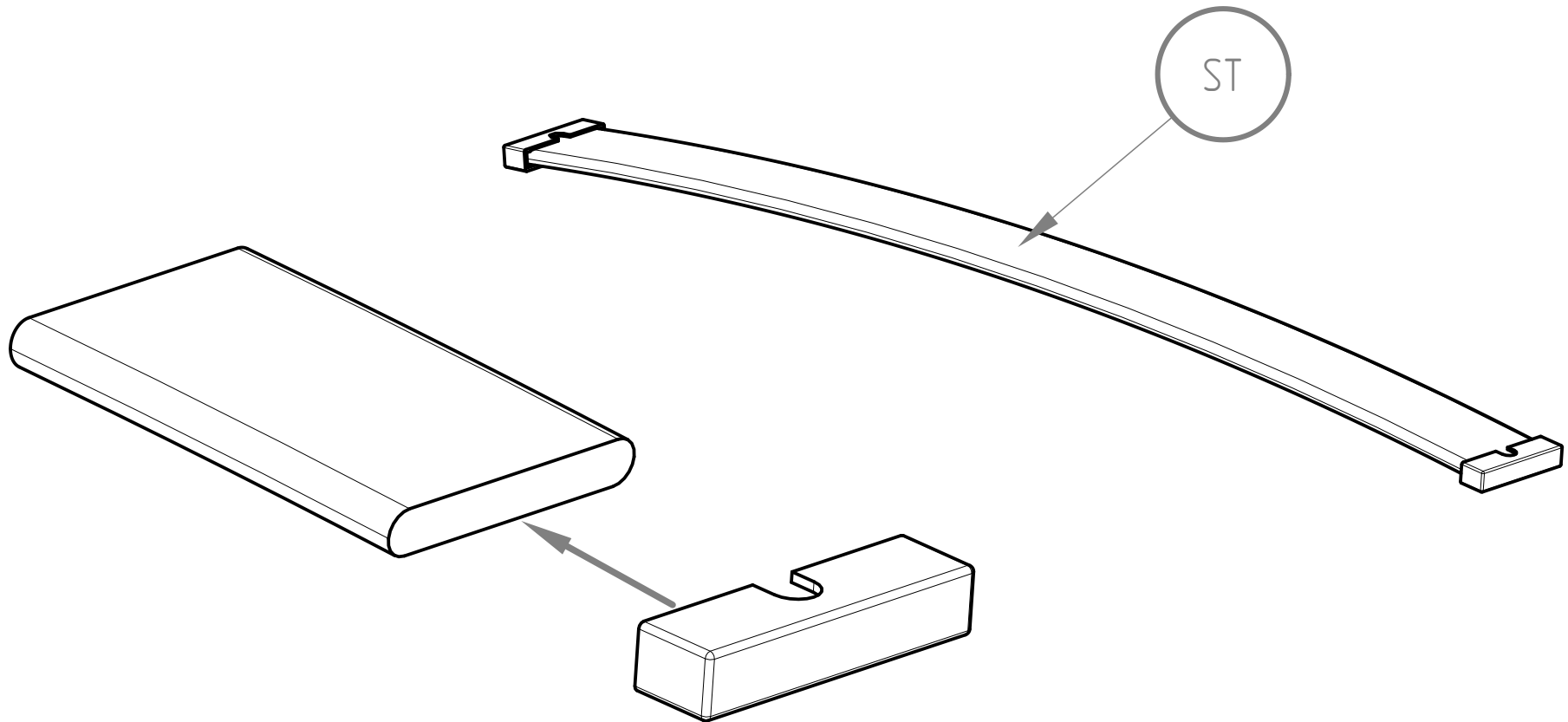
W25  
M4x25

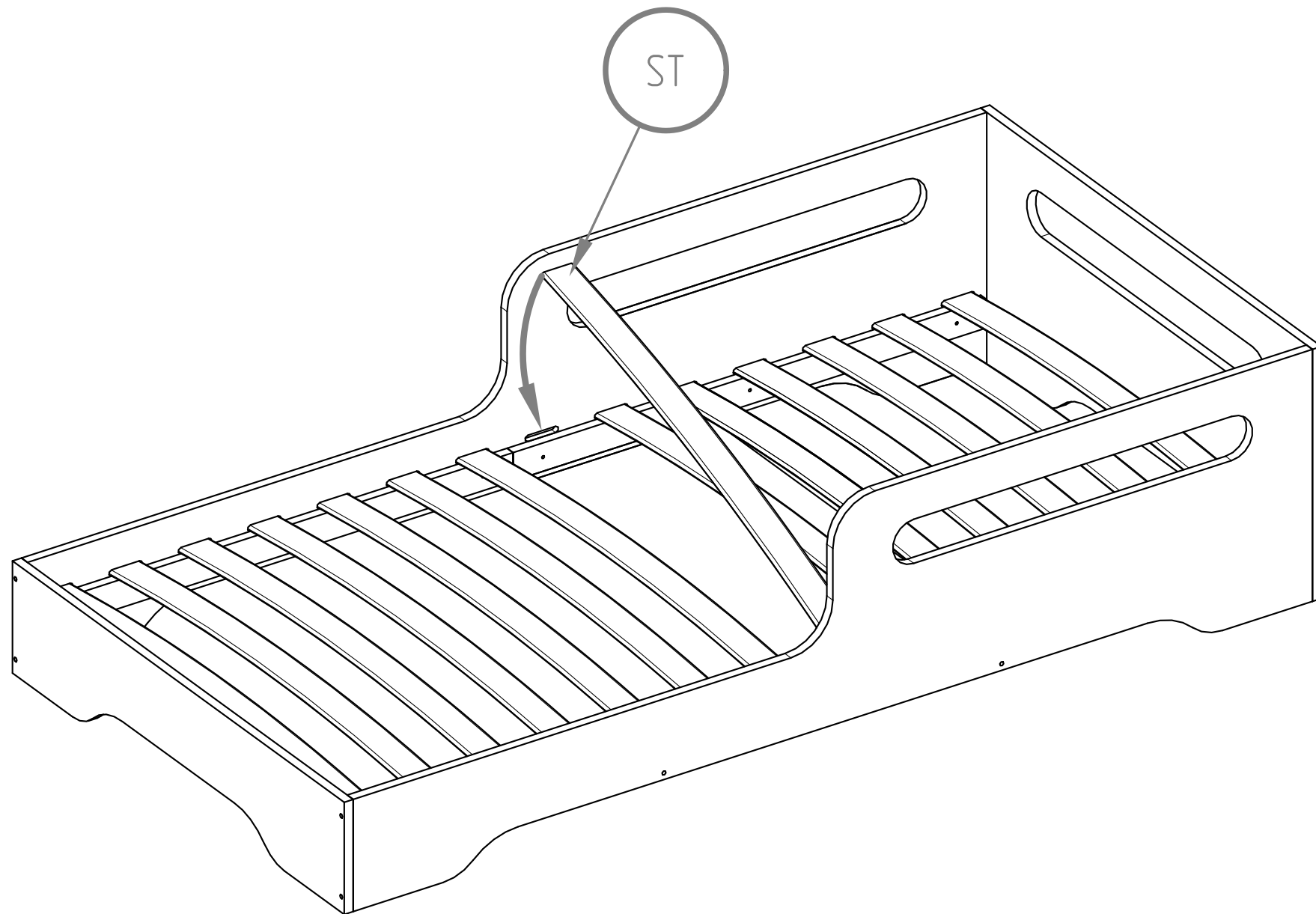




# Important!

Install the plastic caps before assembling the ST spring slats to the bed frame.





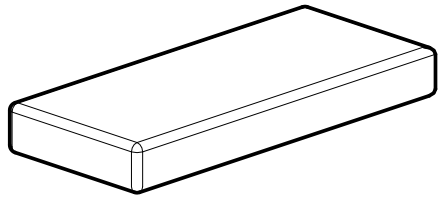


Beds are for sleeping,  
not for jumping

Prohibit more than  
one person on bed



# IMPORTANT



Use only mattresses  
with thickness of 8–12 cm



Bed parts have 2 years  
warranty in normal use

Wooden parts should be cleaned with a dry cloth and ordinary  
mild detergents for the care and cleaning of wooden parts