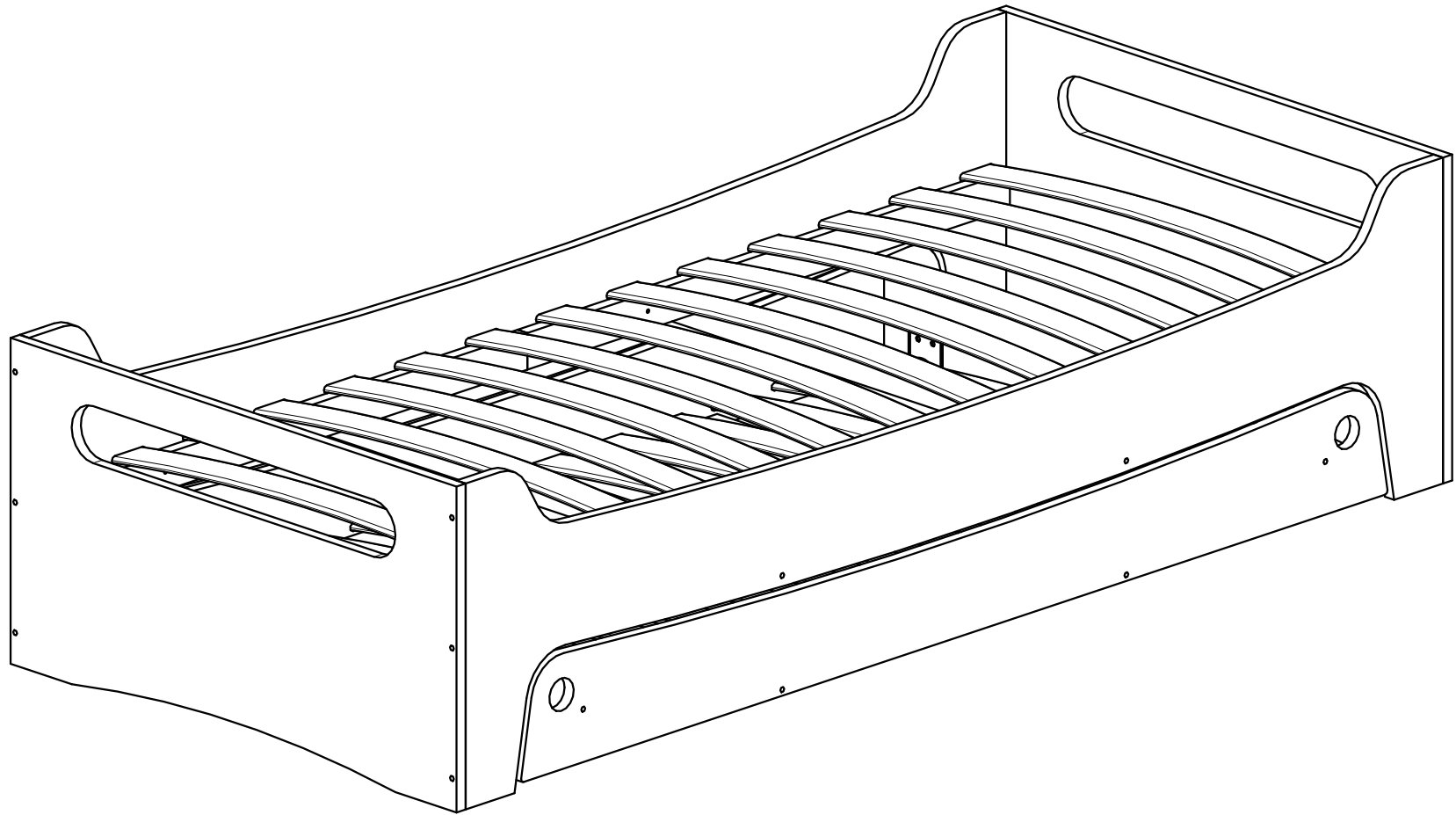
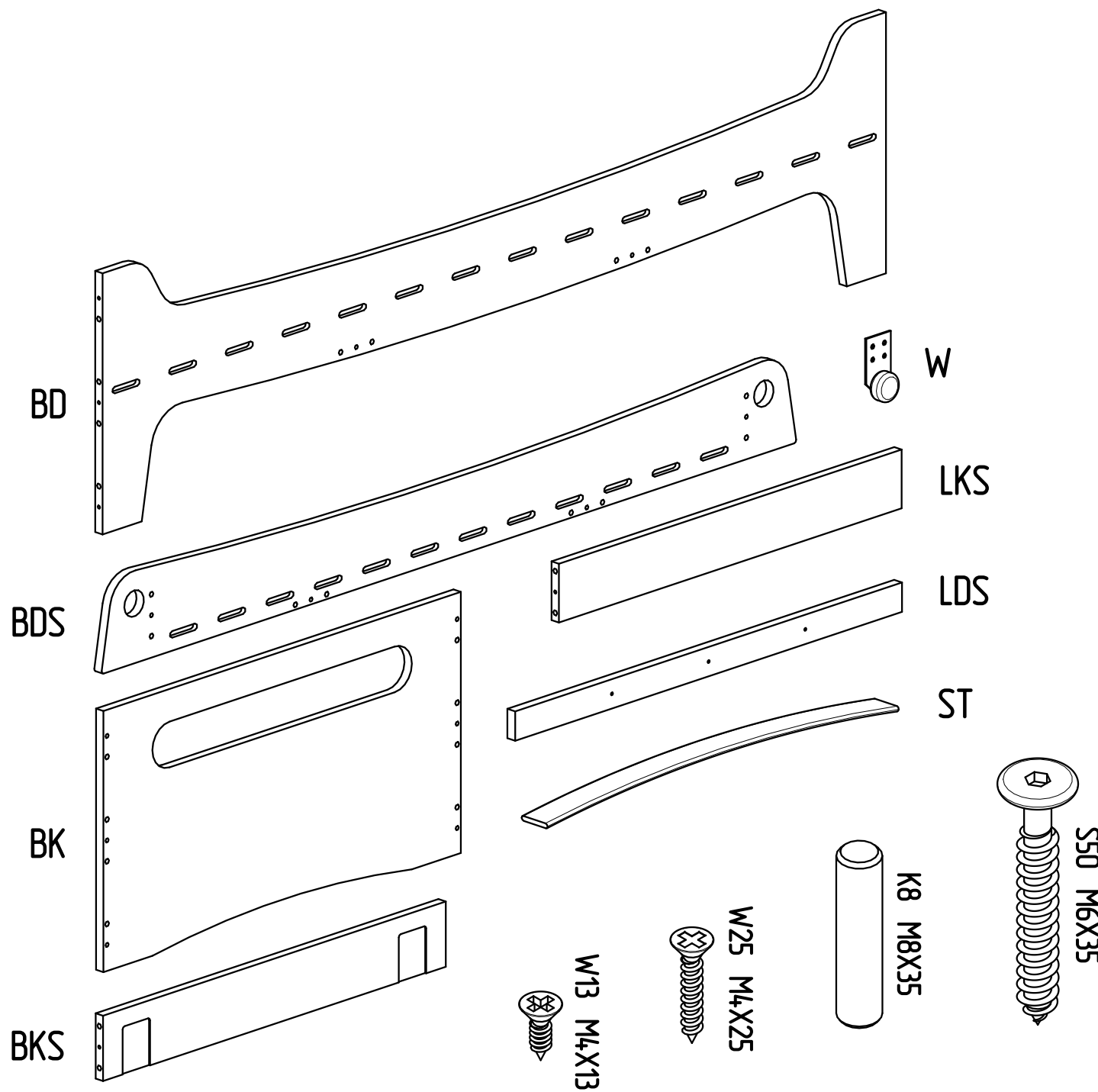


TILA 10





TILA 10	
BD	x2
BDS	x2
BK	x2
BKS	x2
LKS	x4
LDS	x4
ST	x22-30
W	x4

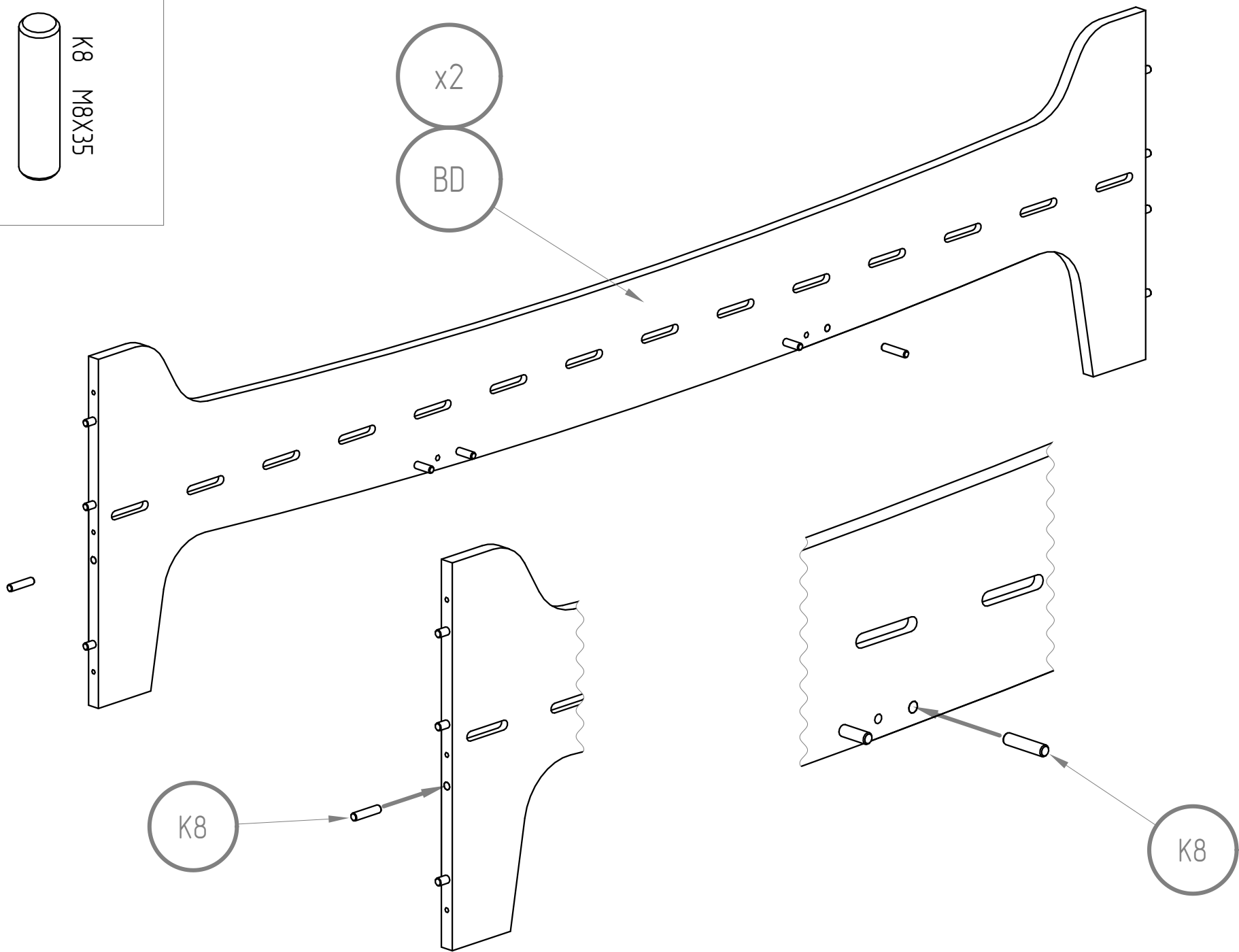
SCREWS	
S50	x24
K8	x40
W25	x12
W13	x16

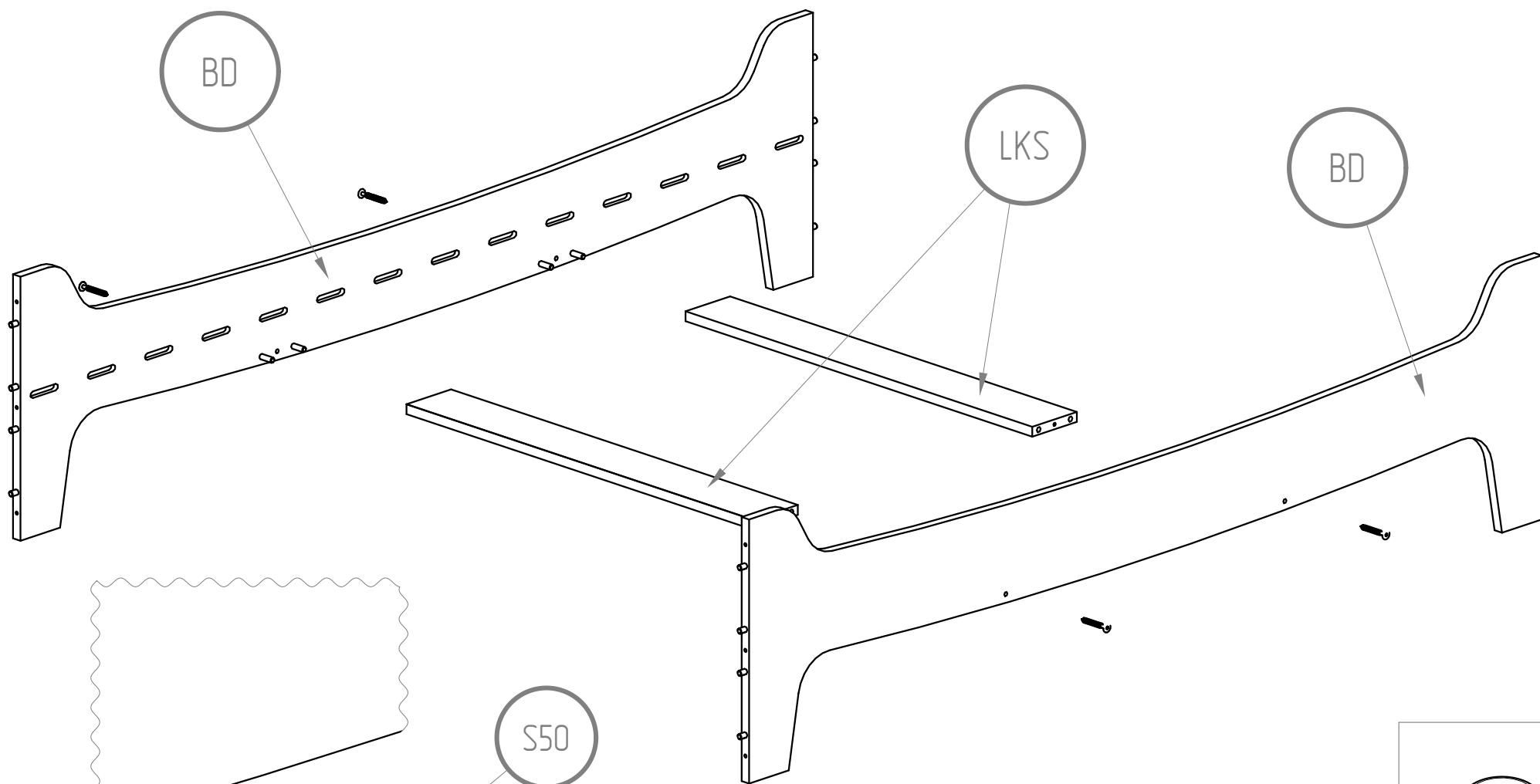


K8 M8X35

x2

BD



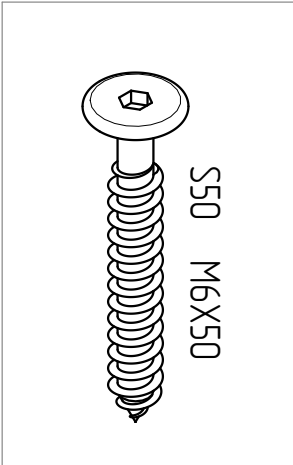


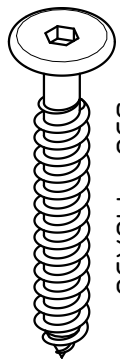
BD

LKS

BD

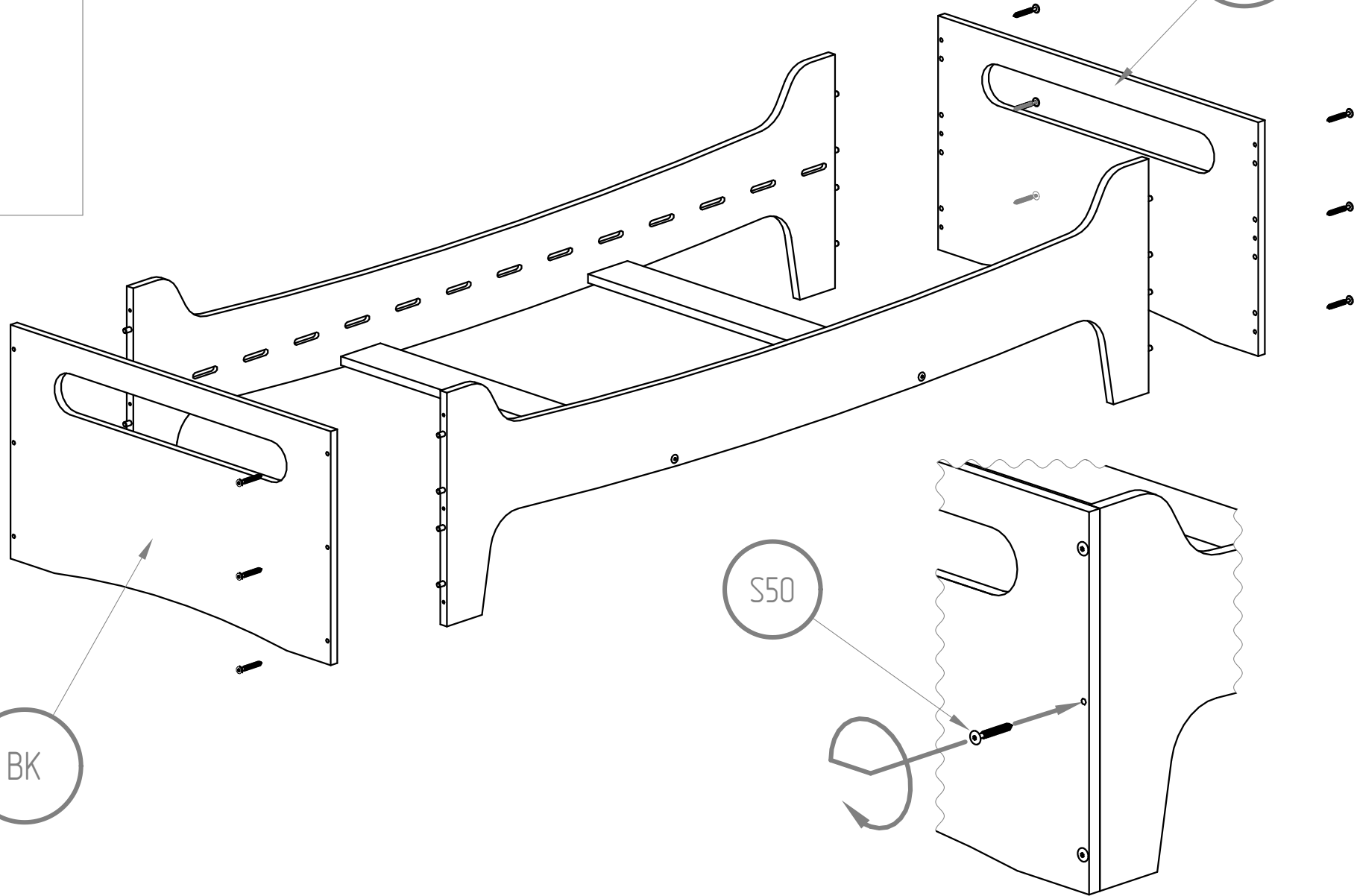
S50





S50 M6X50

BK

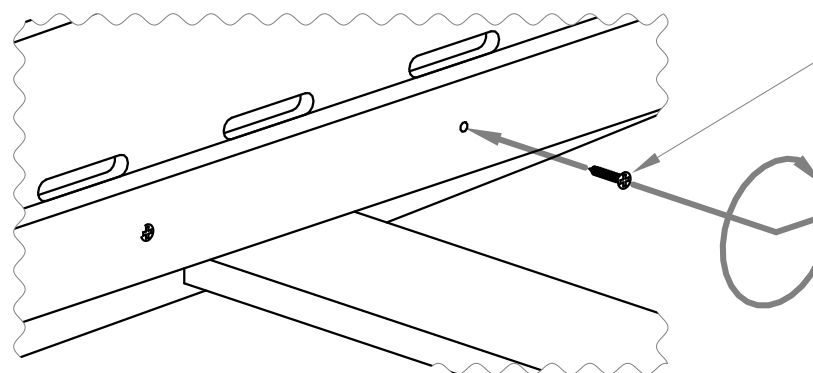
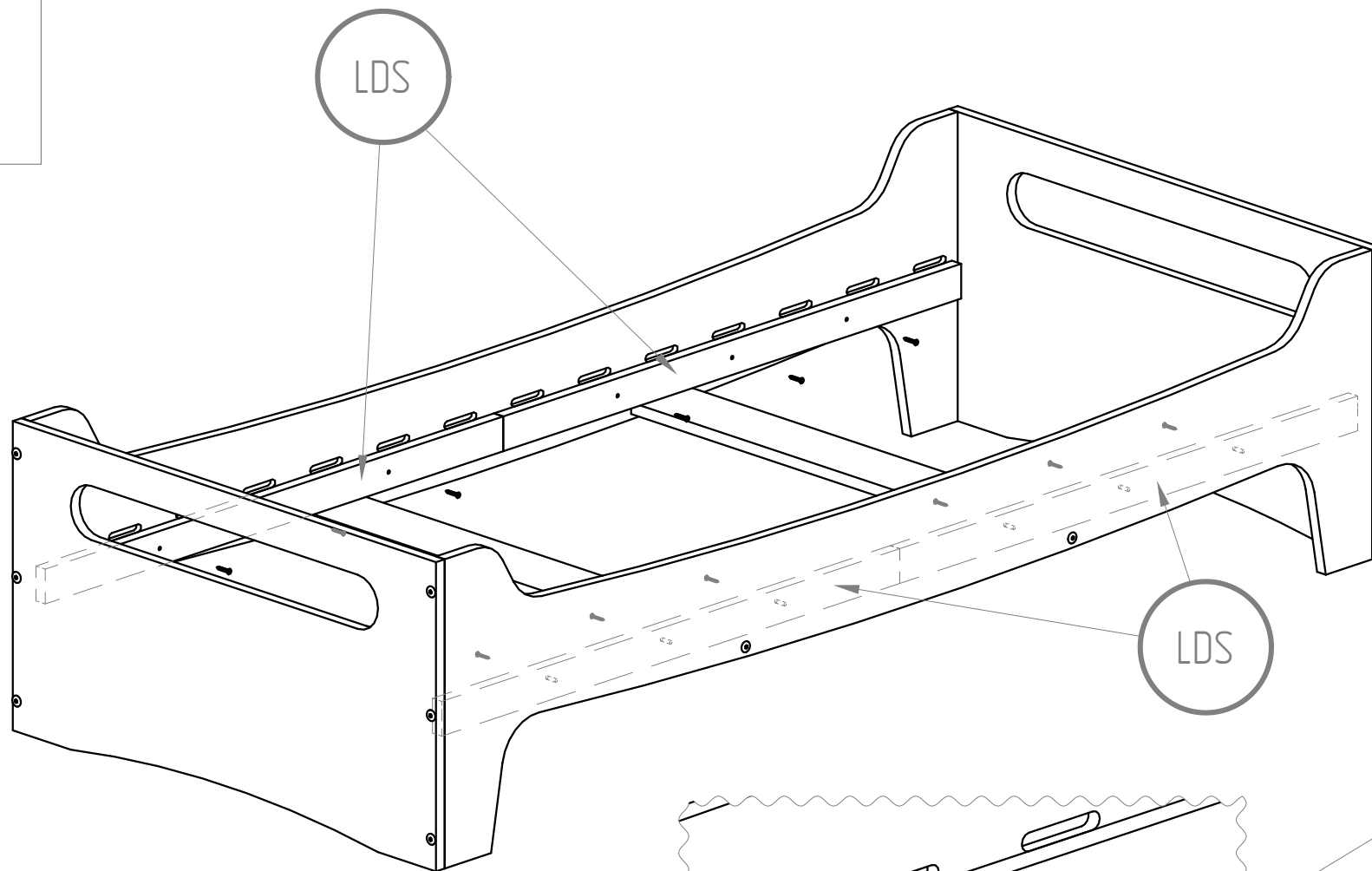


BK

S50

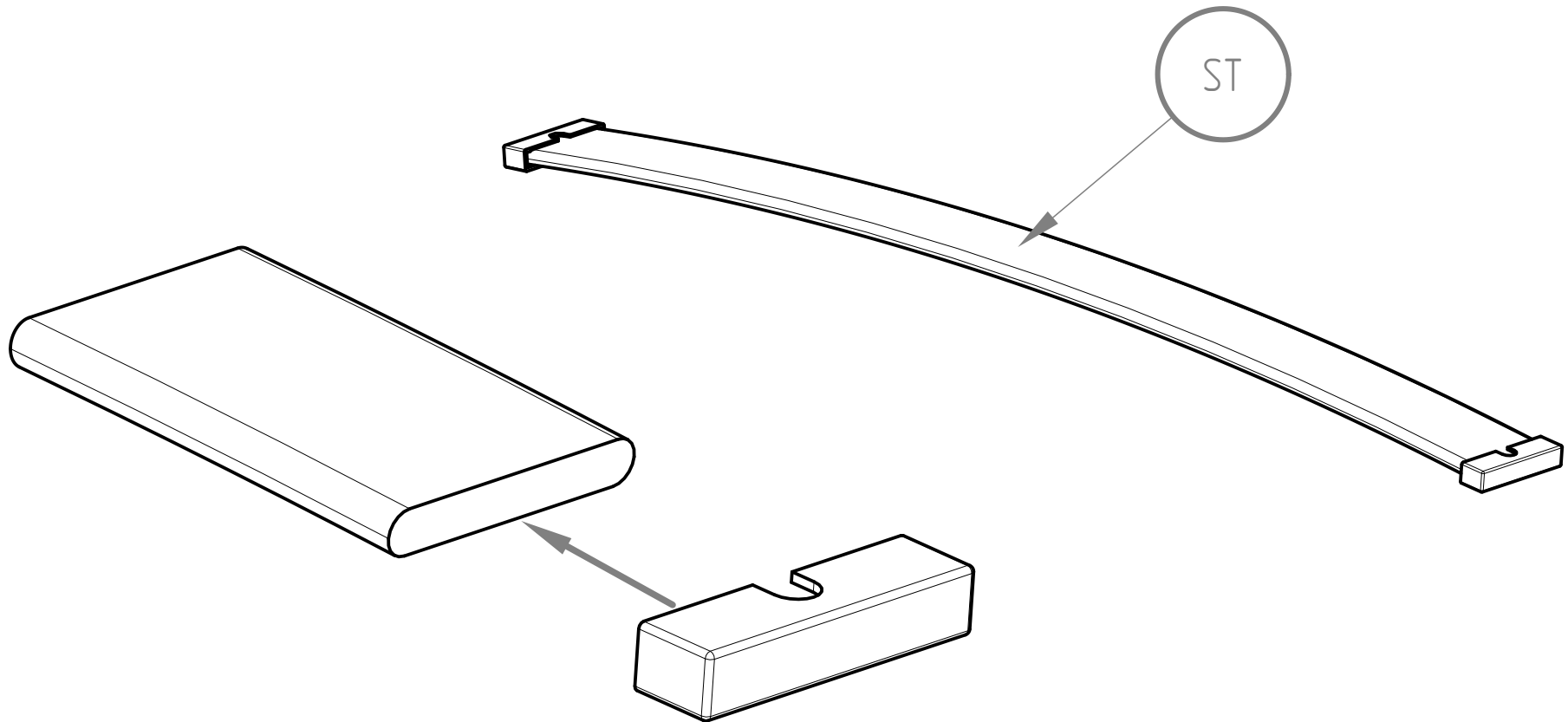


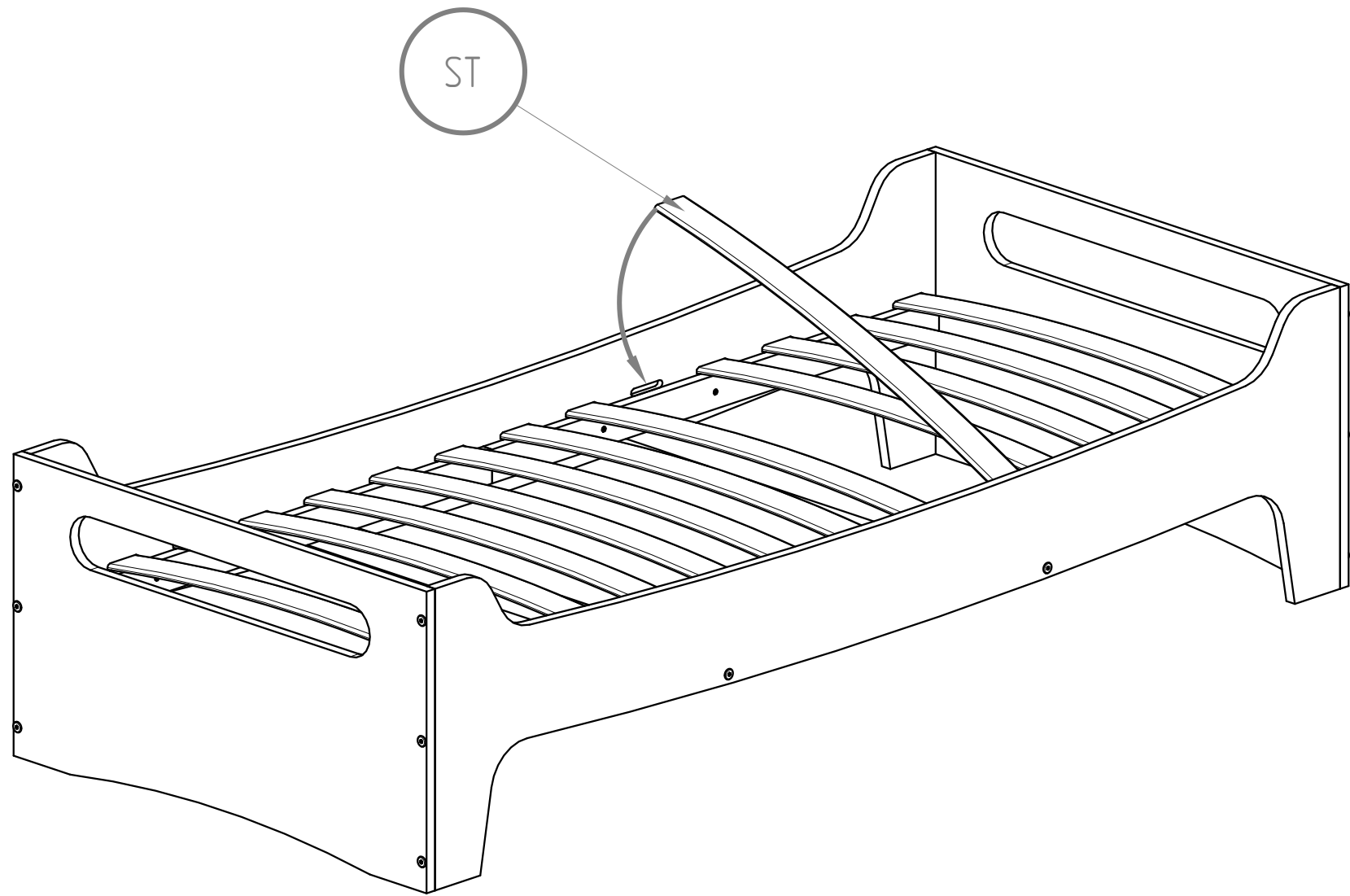
W25 M4X25



Important!

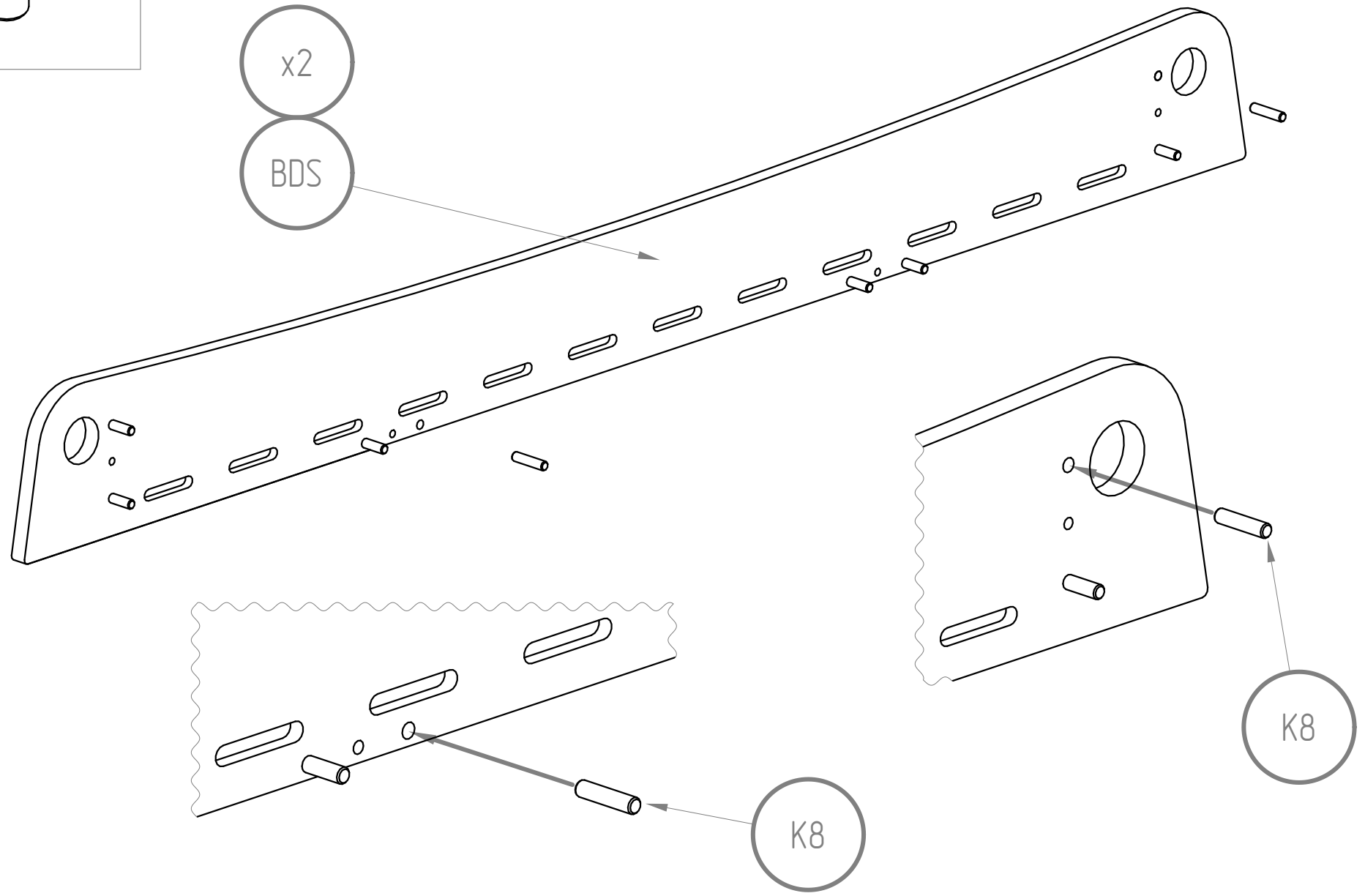
Install the plastic caps before assembling the ST spring slats to the bed frame.







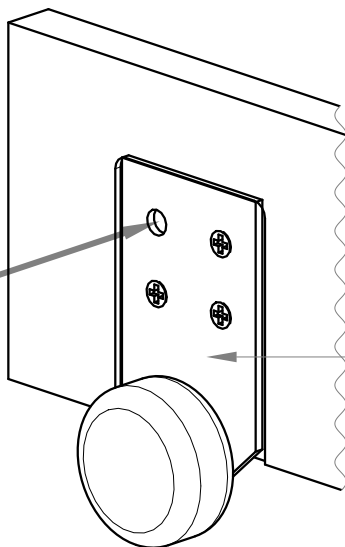
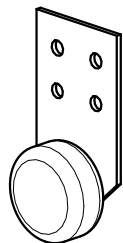
IF YOU HAVE CHOSEN VERSIONS WITH A **FULL BOTTOM DRAWER**
MORE INFORMATION ON THE FOLLOWING PAGES



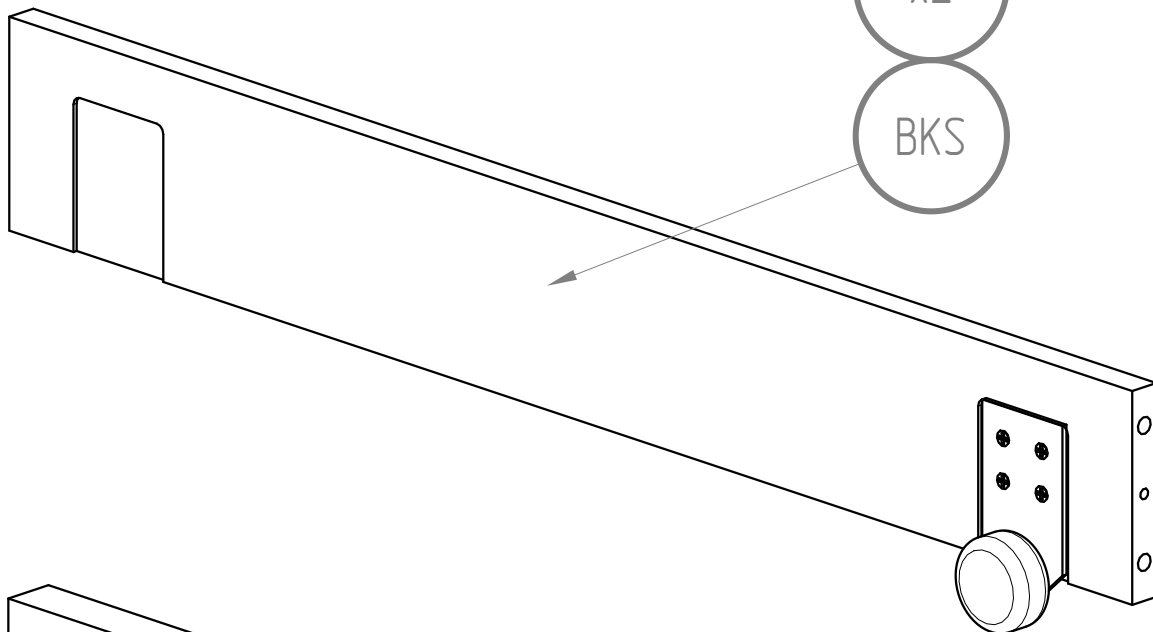


W13 M4X13

W13

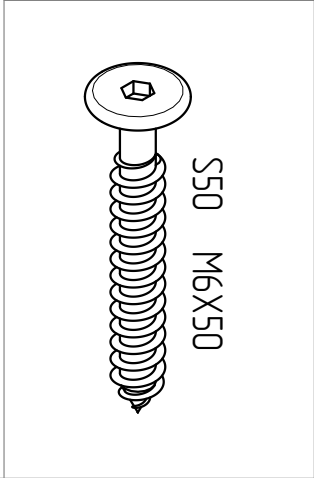
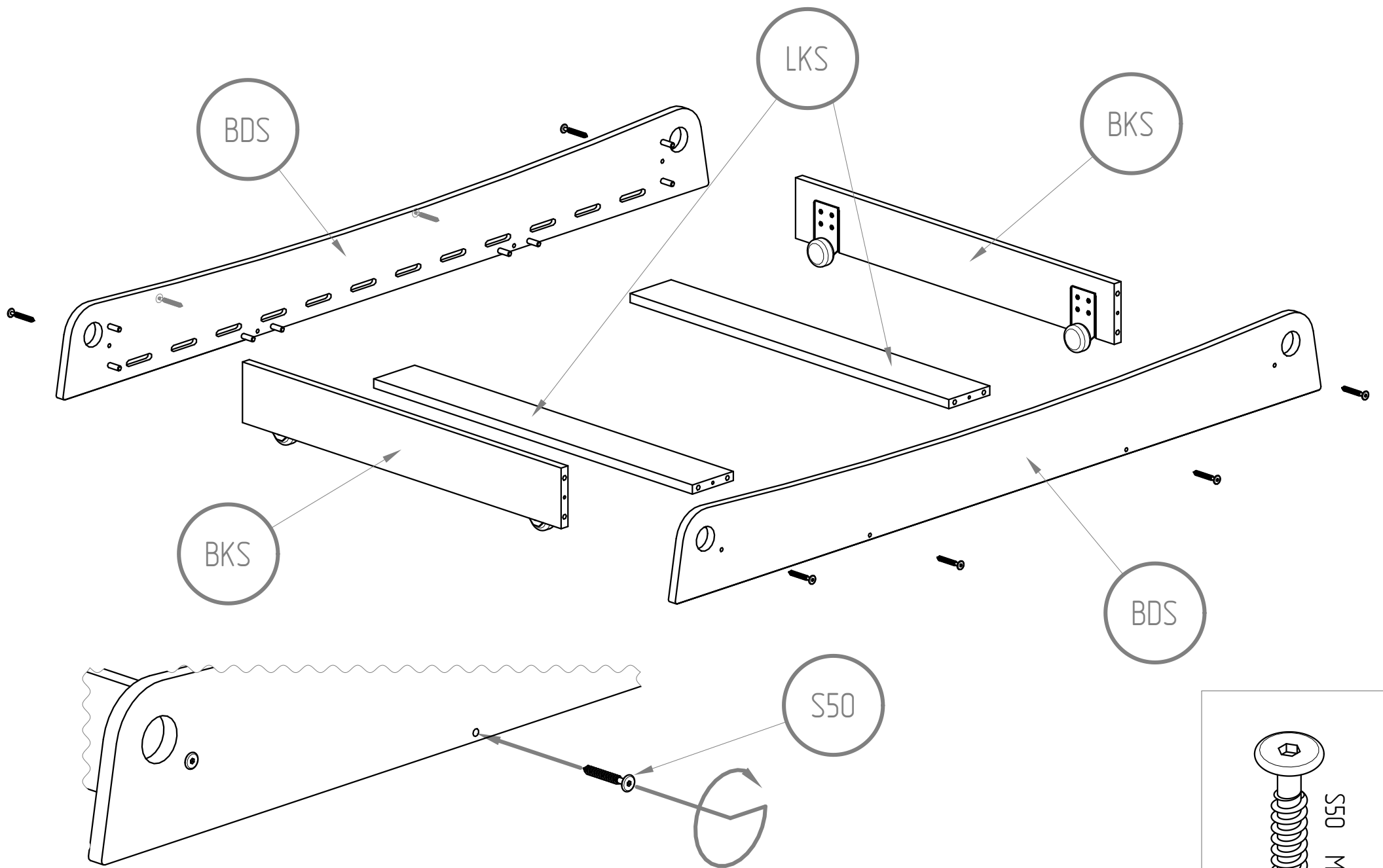


W



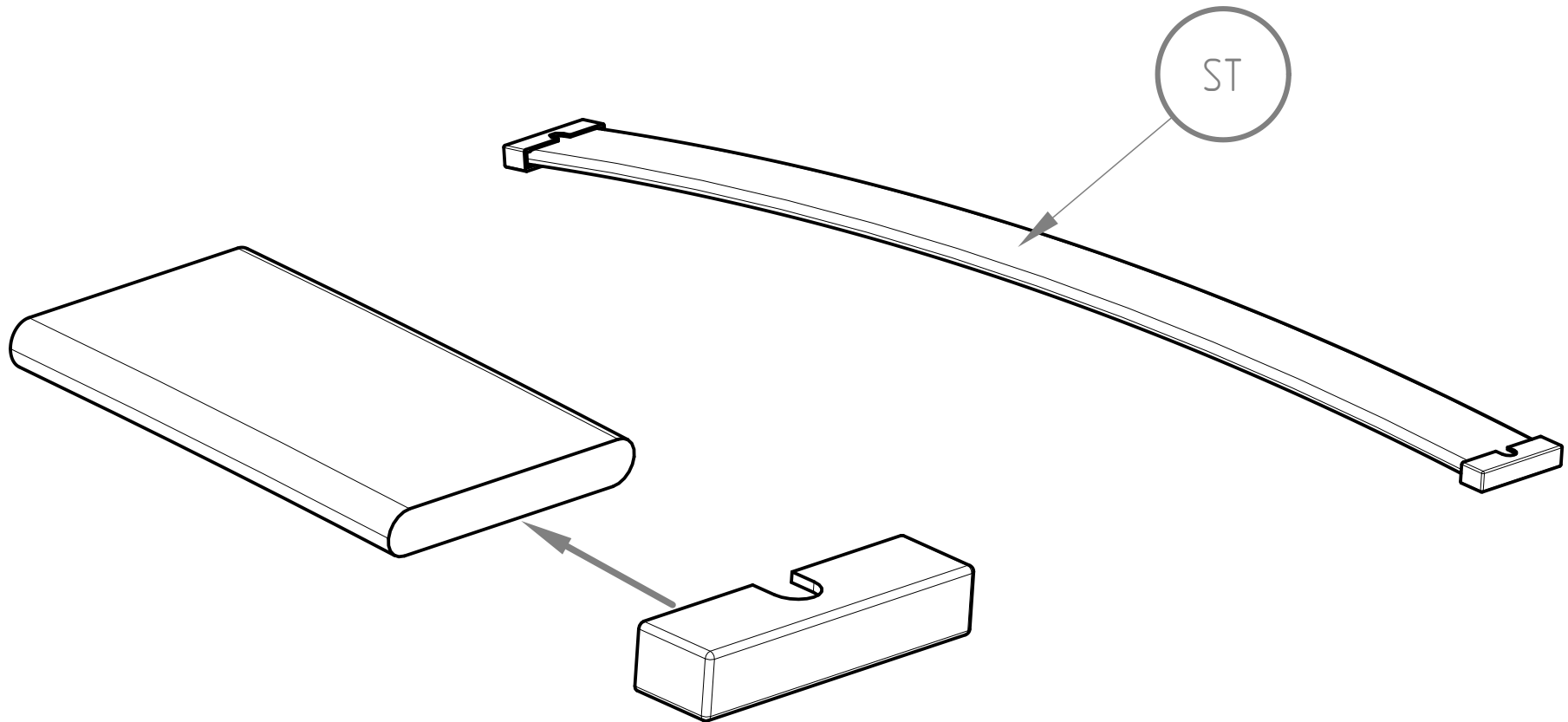
x2

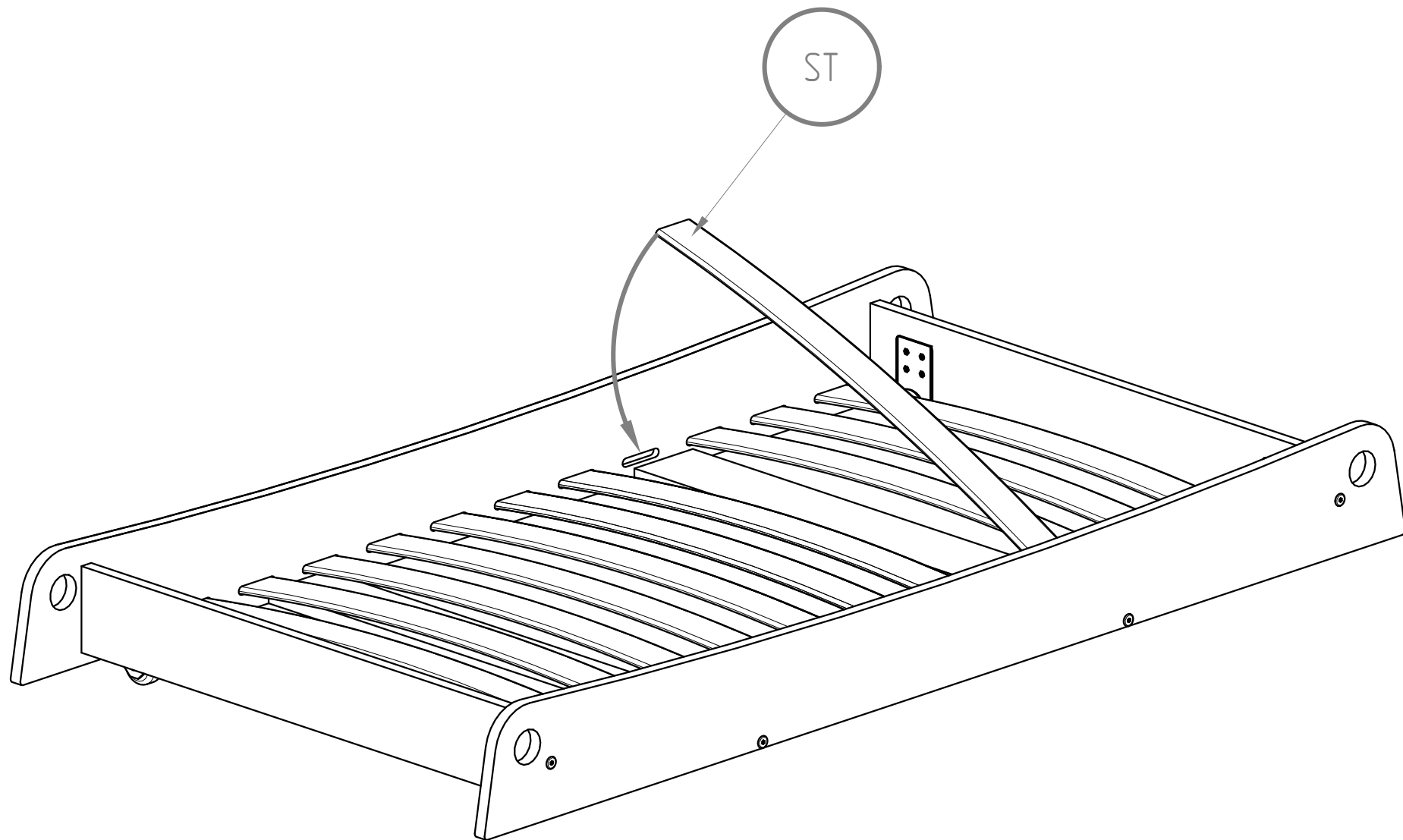
BKS



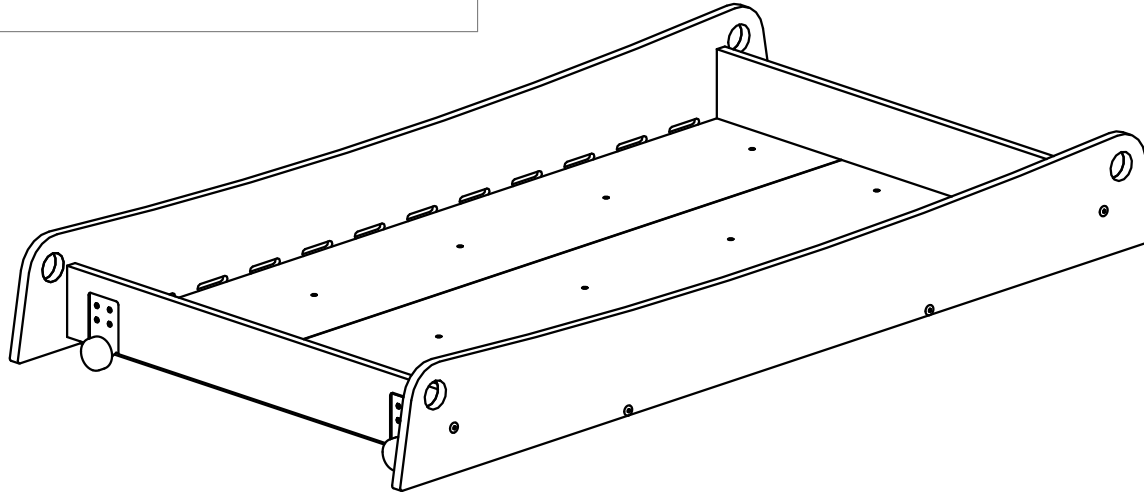
Important!

Install the plastic caps before assembling the ST spring slats to the bed frame.

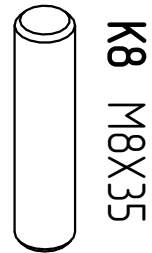
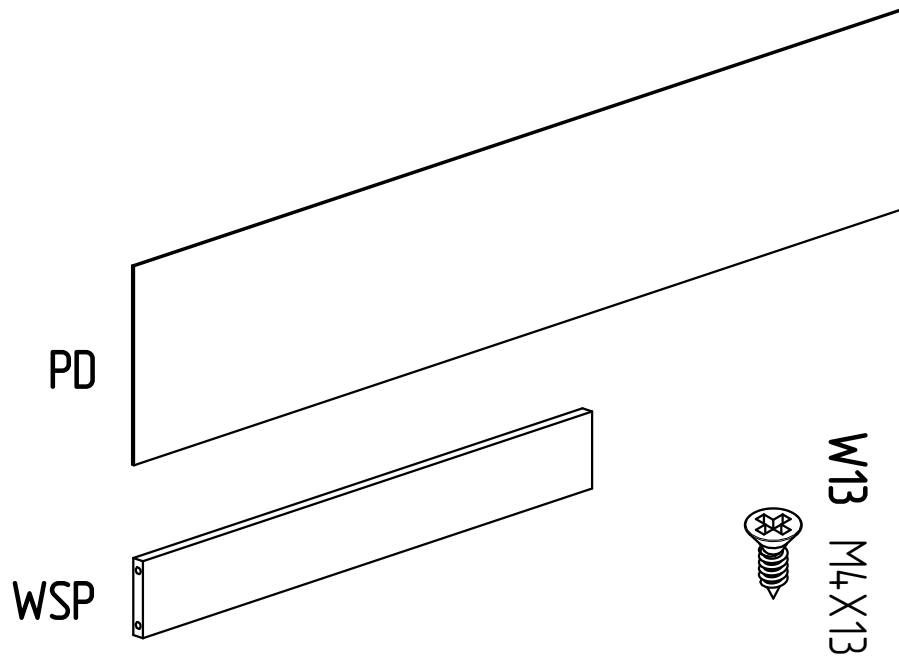




DRAWER WITH FULL BOTTOM



Additionally, for a drawer with full bottom you get

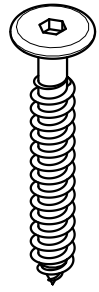


DRAWER

PD	x3
WSP	x3
W13	x15
K8	x12



K8 M8X35



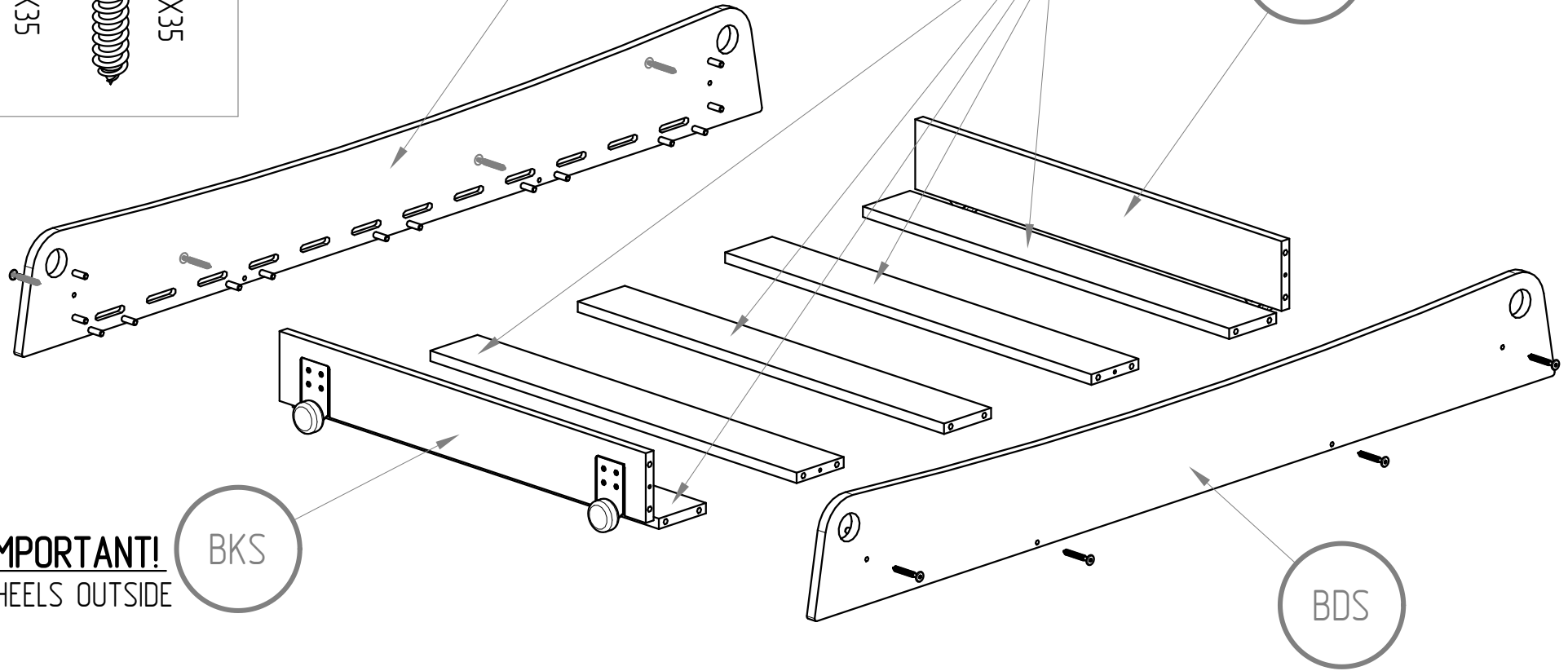
S50 M6X35

BDS

LKS

BKS

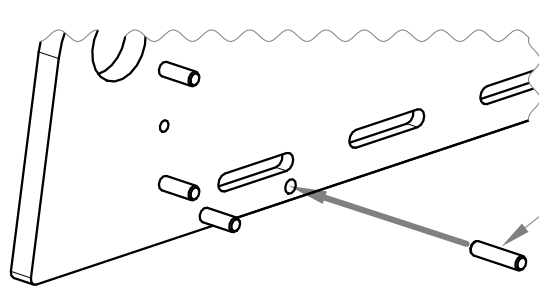
IMPORTANT!
WHEELS OUTSIDE



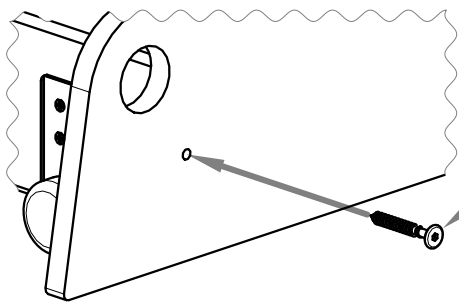
IMPORTANT!
WHEELS OUTSIDE

BKS

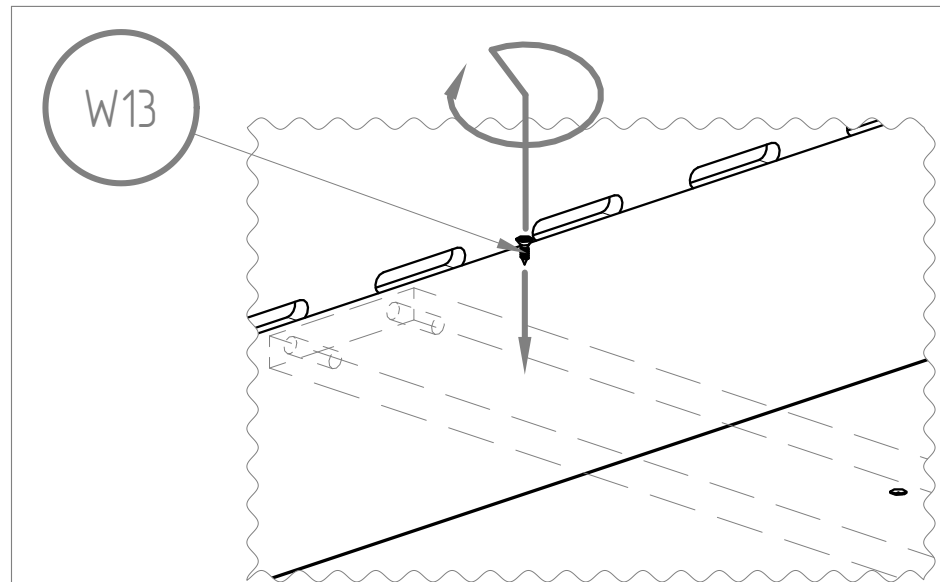
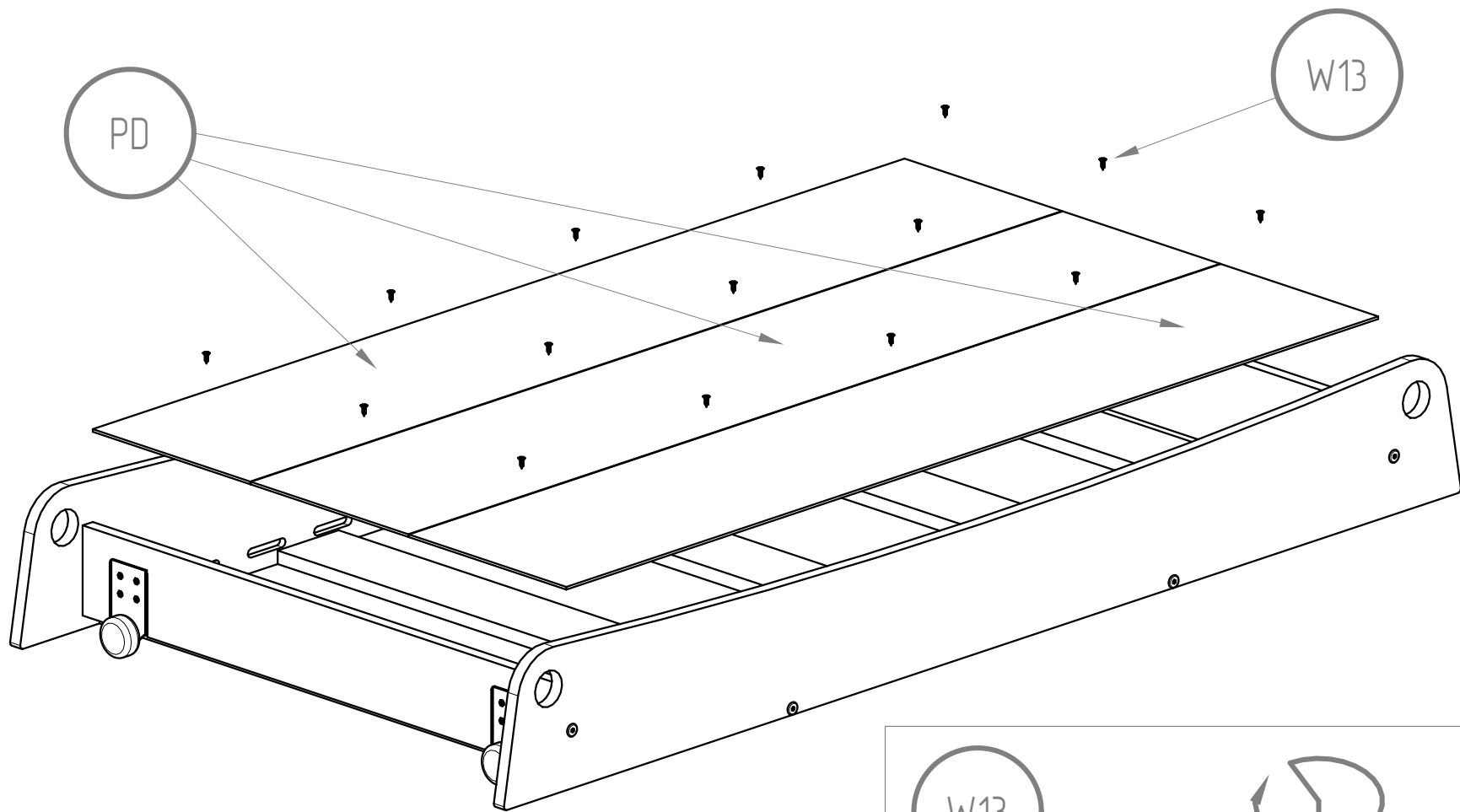
BDS



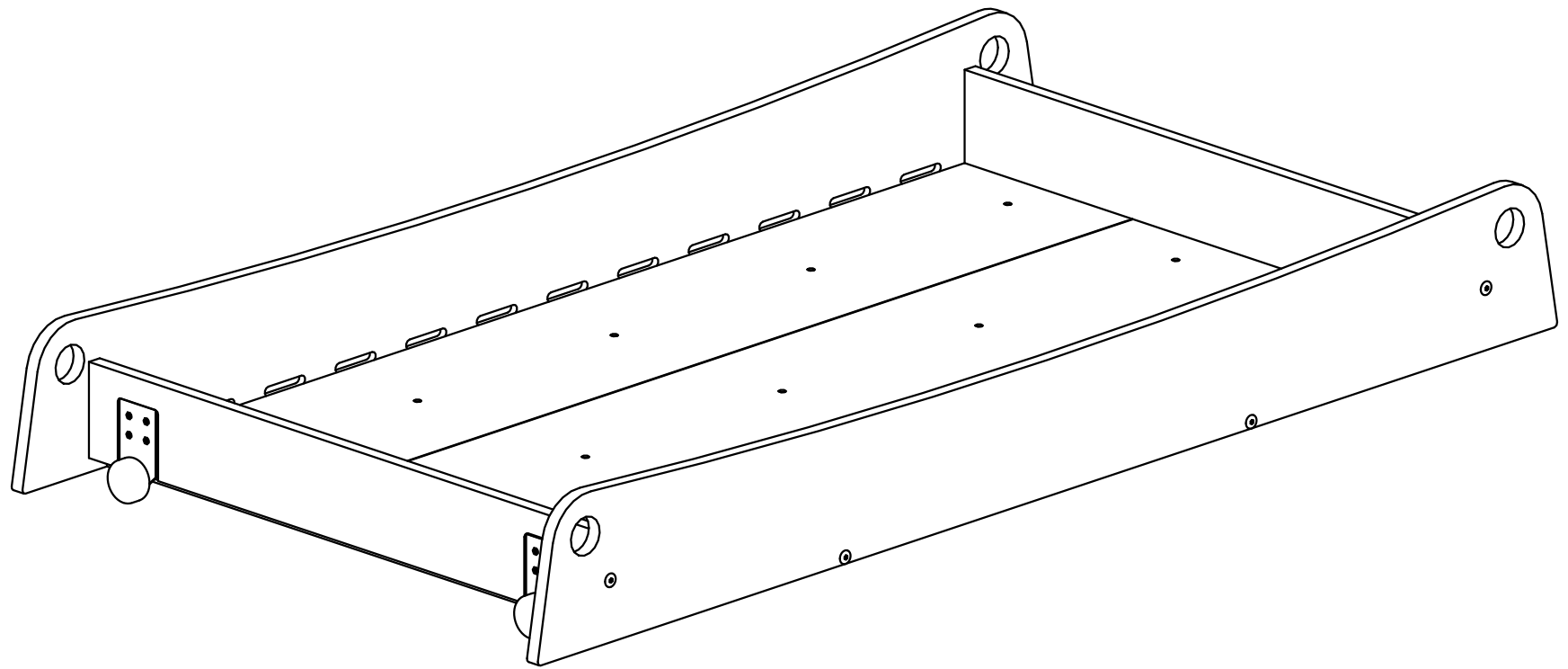
K8

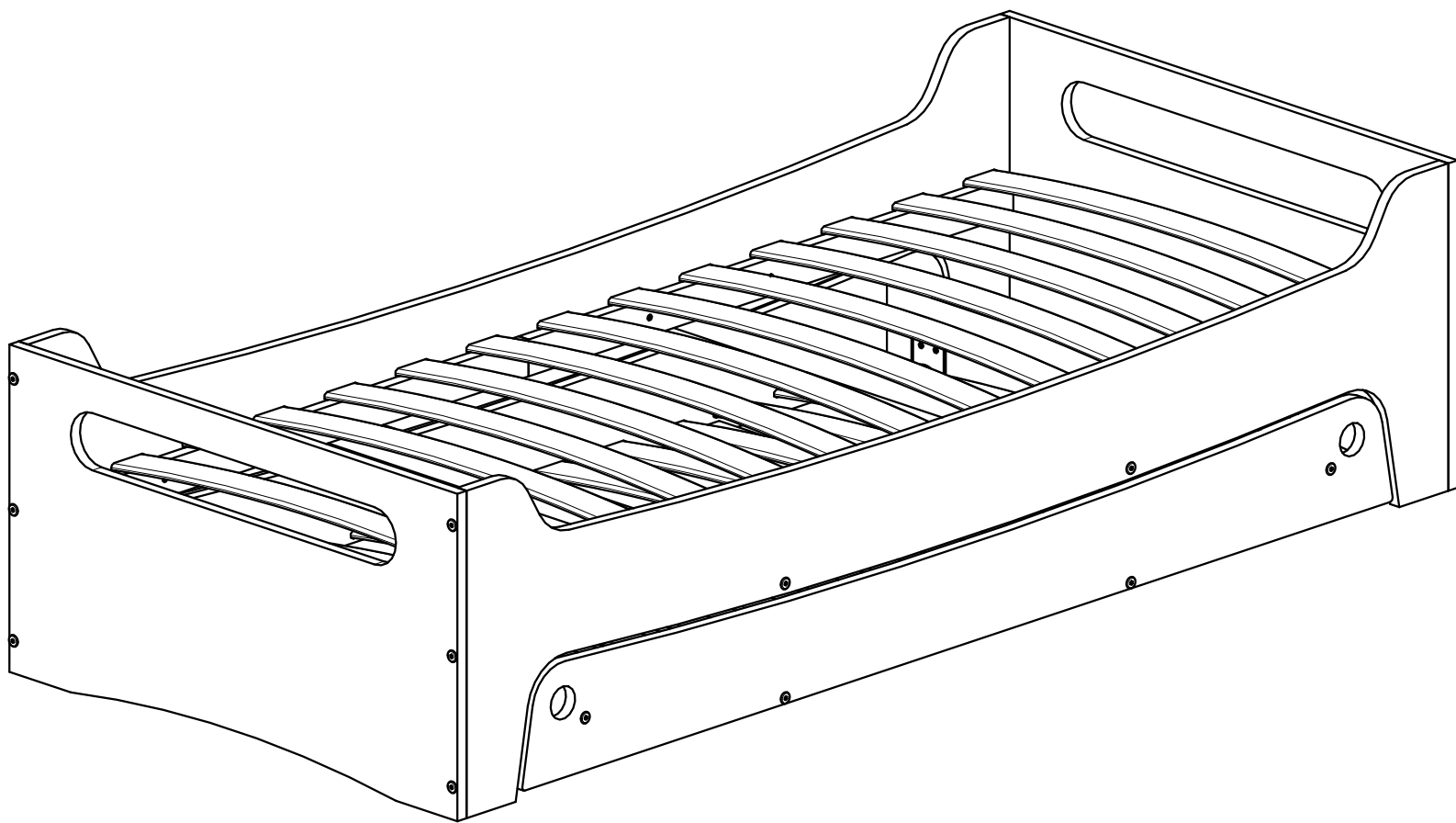


S50



W13 M4X13





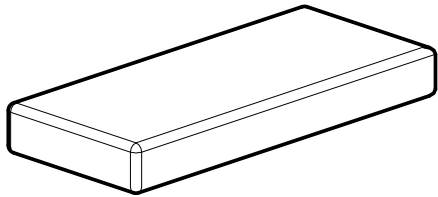


Beds are for sleeping,
not for jumping

Prohibit more than
one person on bed



IMPORTANT



Use only mattresses
with thickness of 8–12 cm



Bed parts have 2 years
warranty in normal use

Wooden parts should be cleaned with a dry cloth and ordinary
mild detergents for the care and cleaning of wooden parts