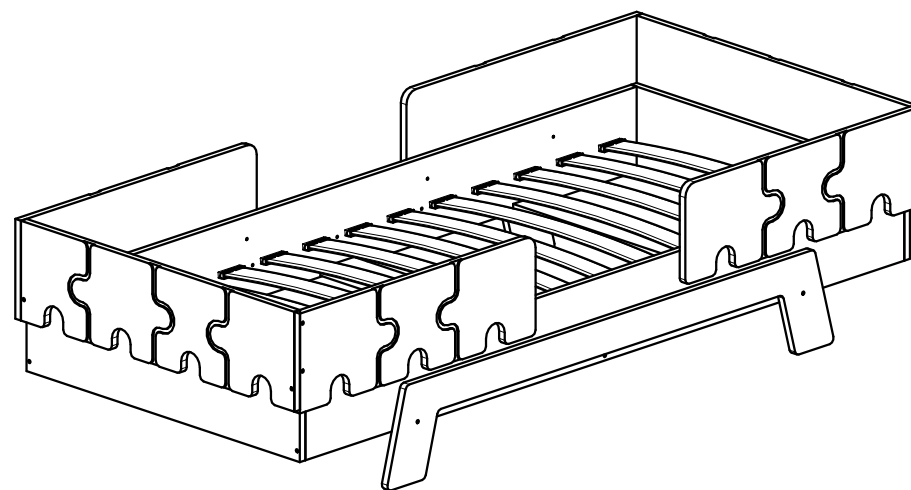
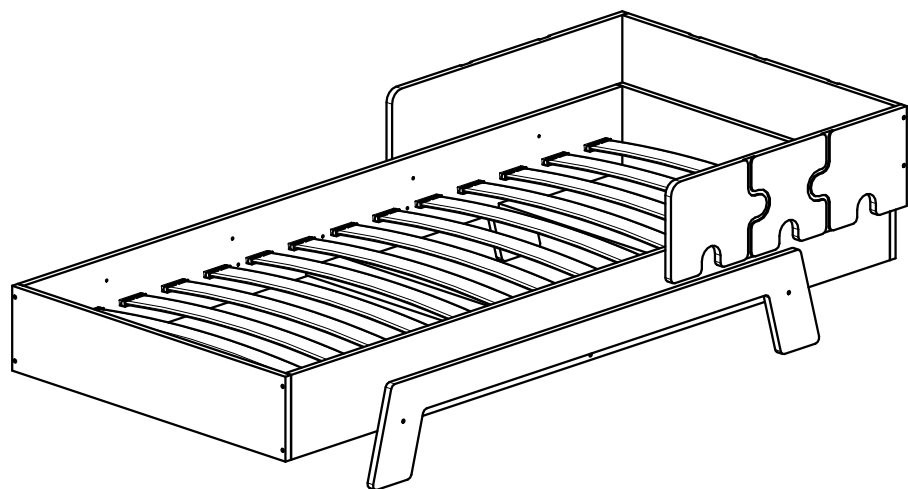
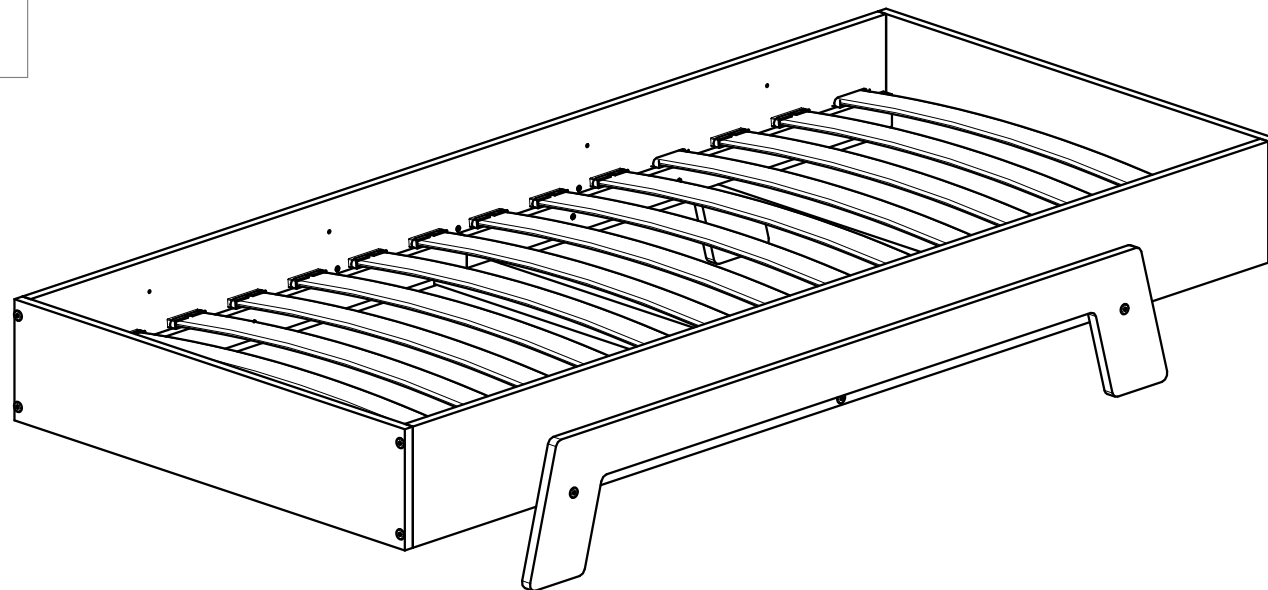


PUZZLE



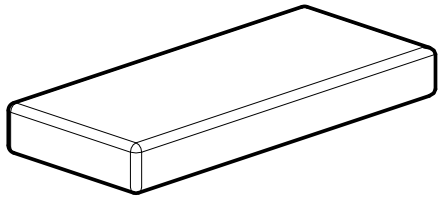


Beds are for sleeping,
not for jumping

Prohibit more than
one person on bed



IMPORTANT

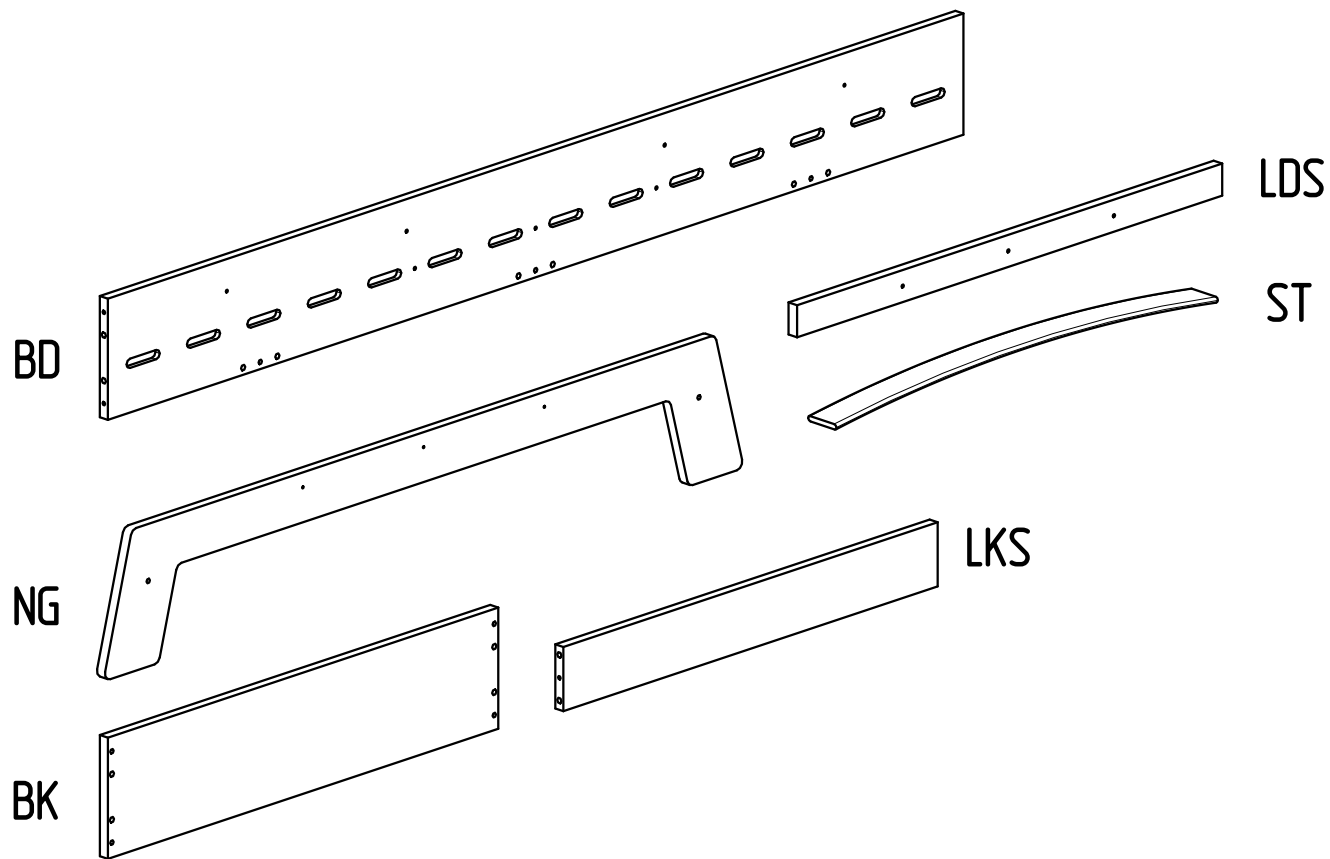


Use only mattresses
with thickness of 8–12 cm



Bed parts have 2 years
warranty in normal use

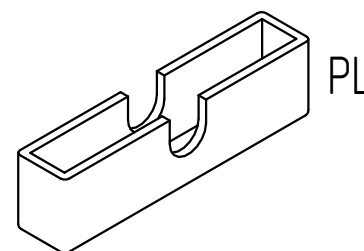
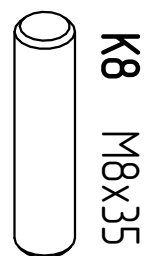
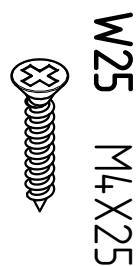
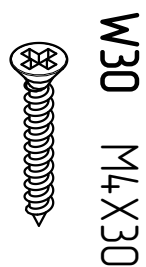
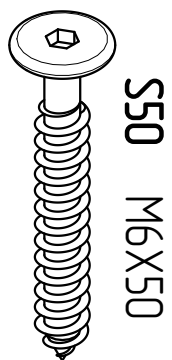
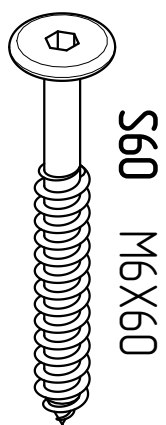
Wooden parts should be cleaned with a dry cloth and ordinary
mild detergents for the care and cleaning of wooden parts



PUZZLE

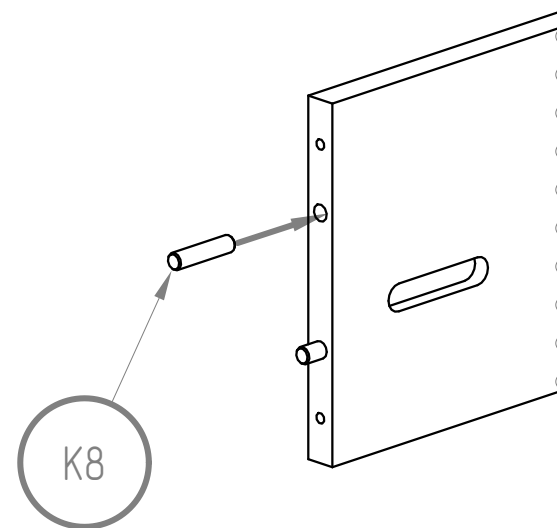
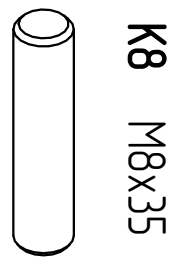
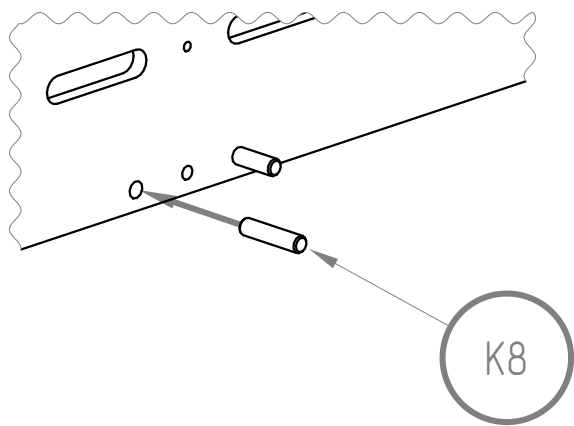
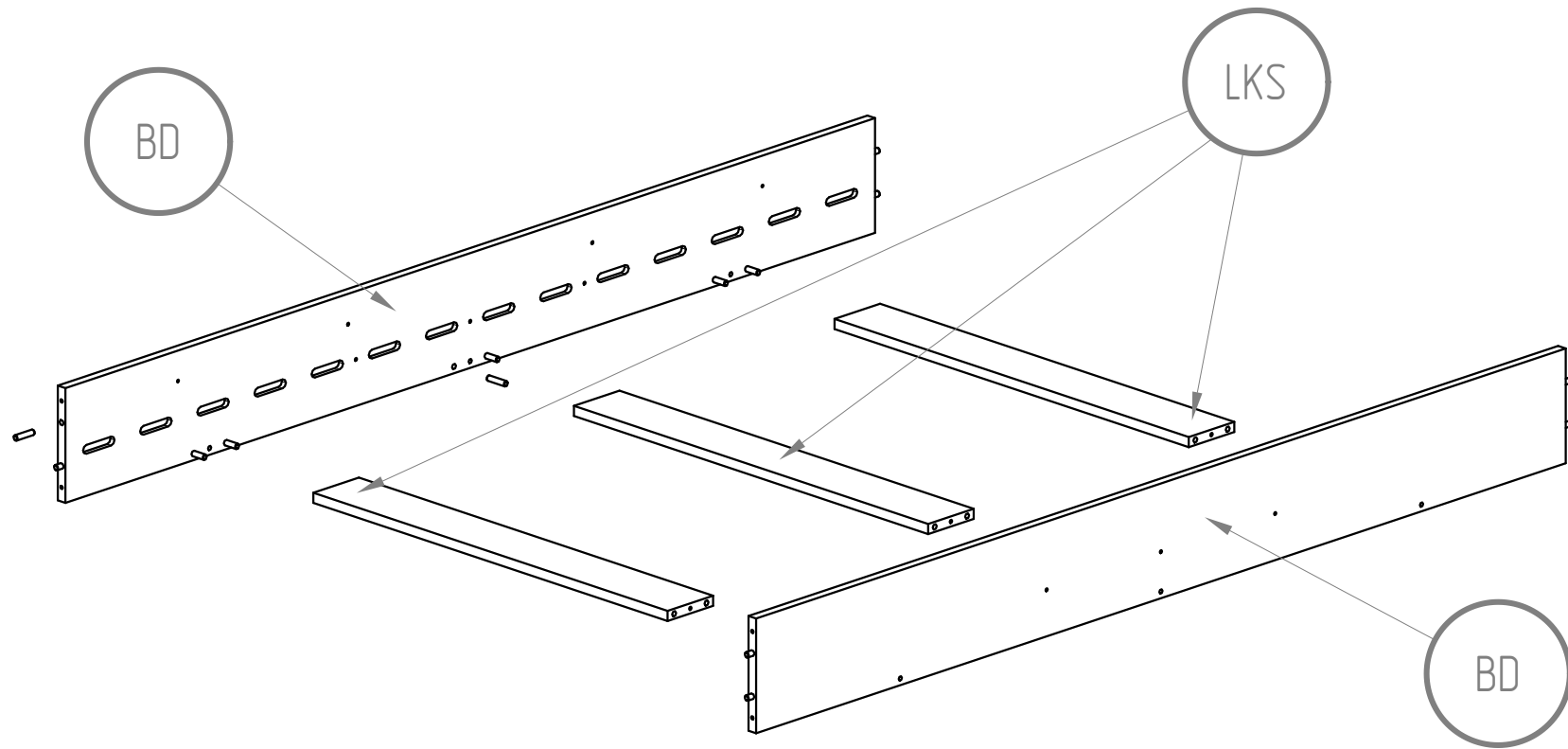
BD	x2
BK	x2
NG	x2
LKS	x3
LDS	x4
ST	x12-x16

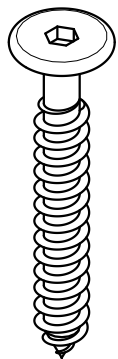
1



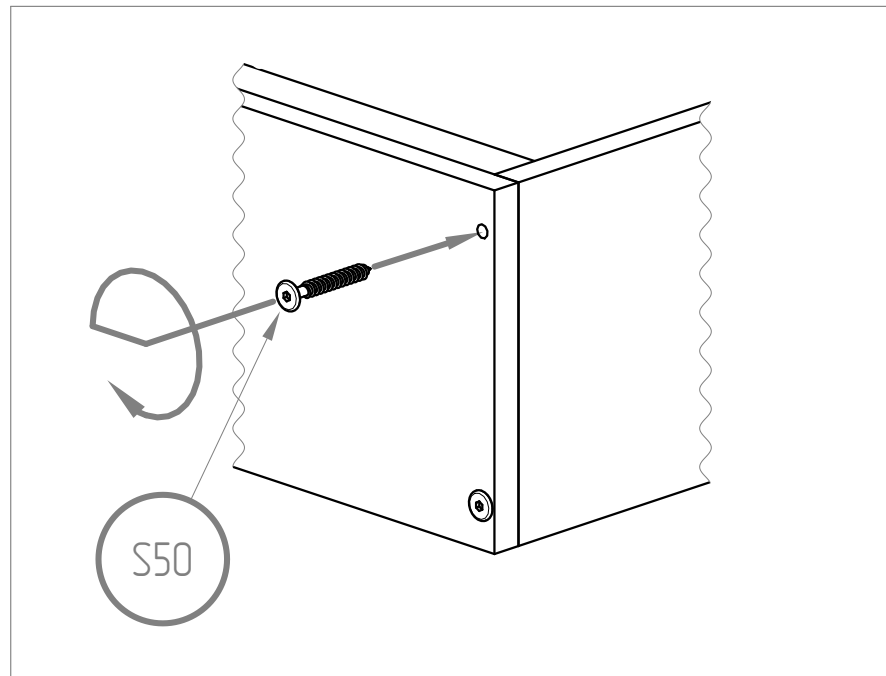
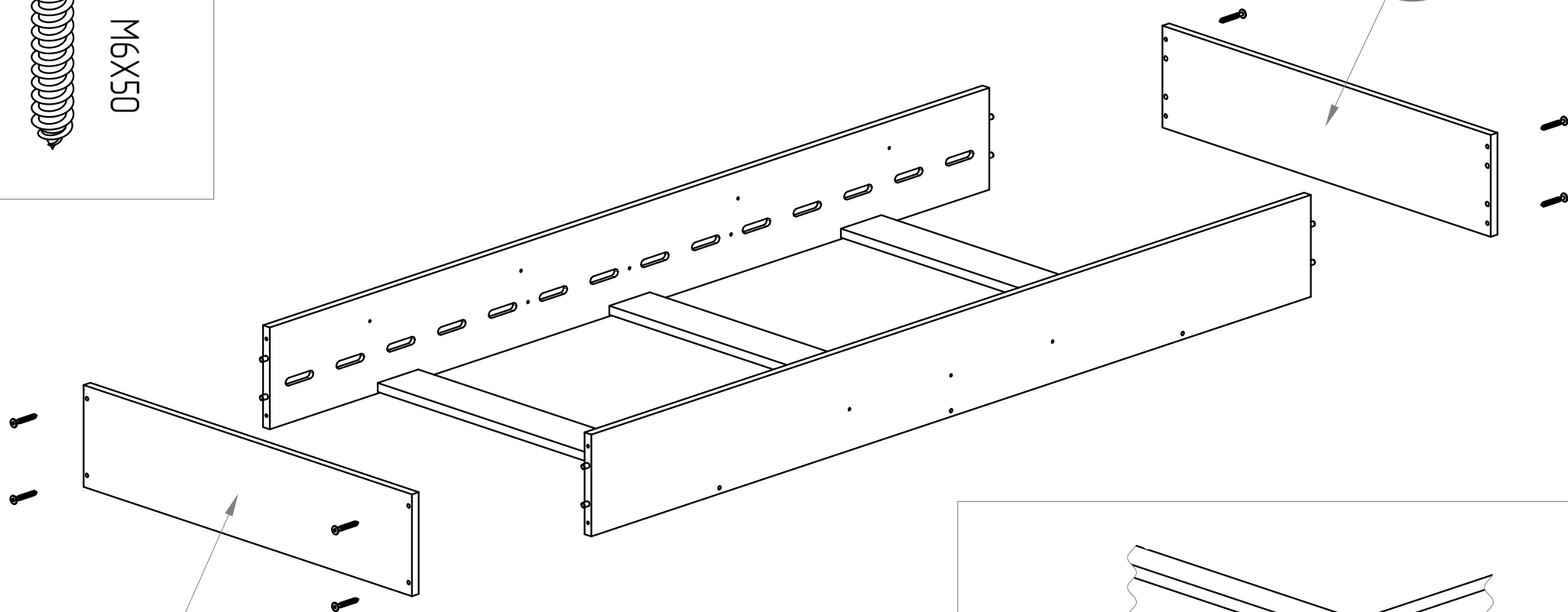
SCREWS

S60	x4
S50	x10
W30	x6
W25	x12
K8	x20
PL	x24-32





S50 M6X50



3

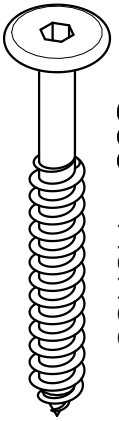
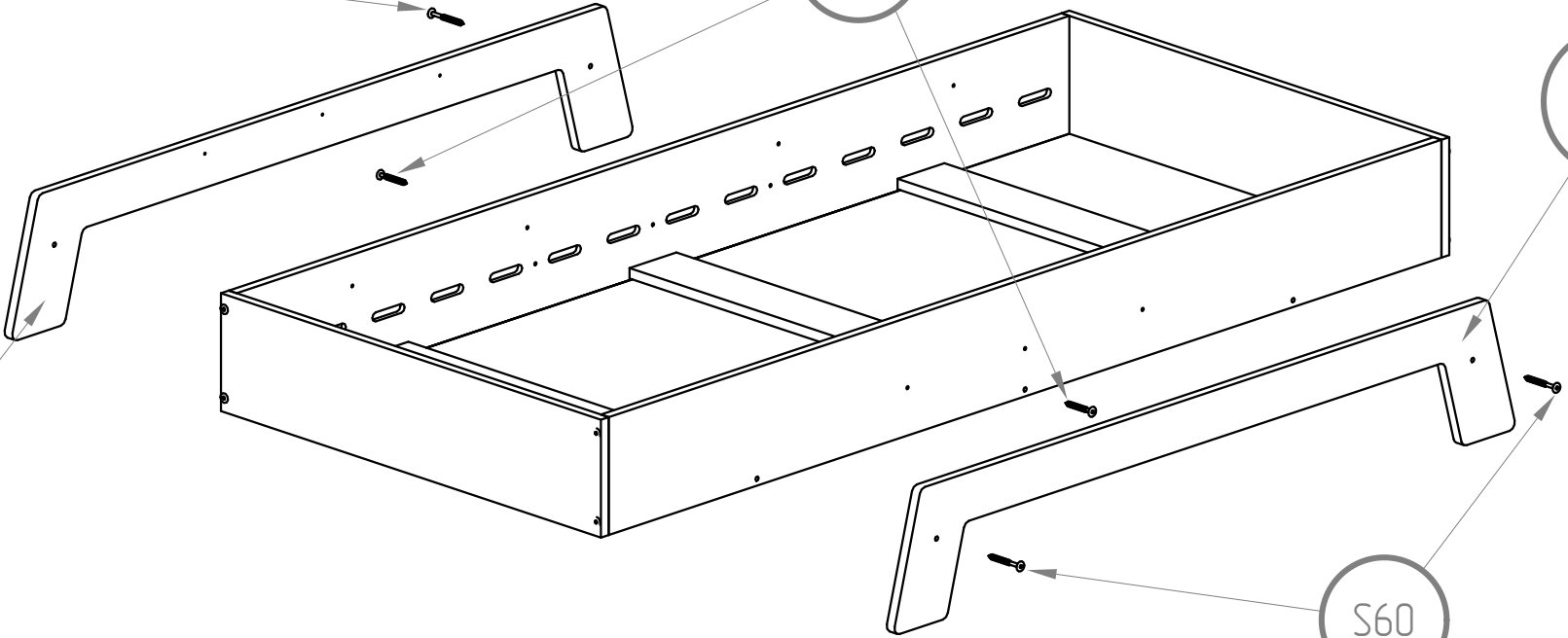
S60

S50

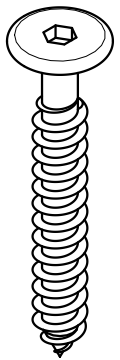
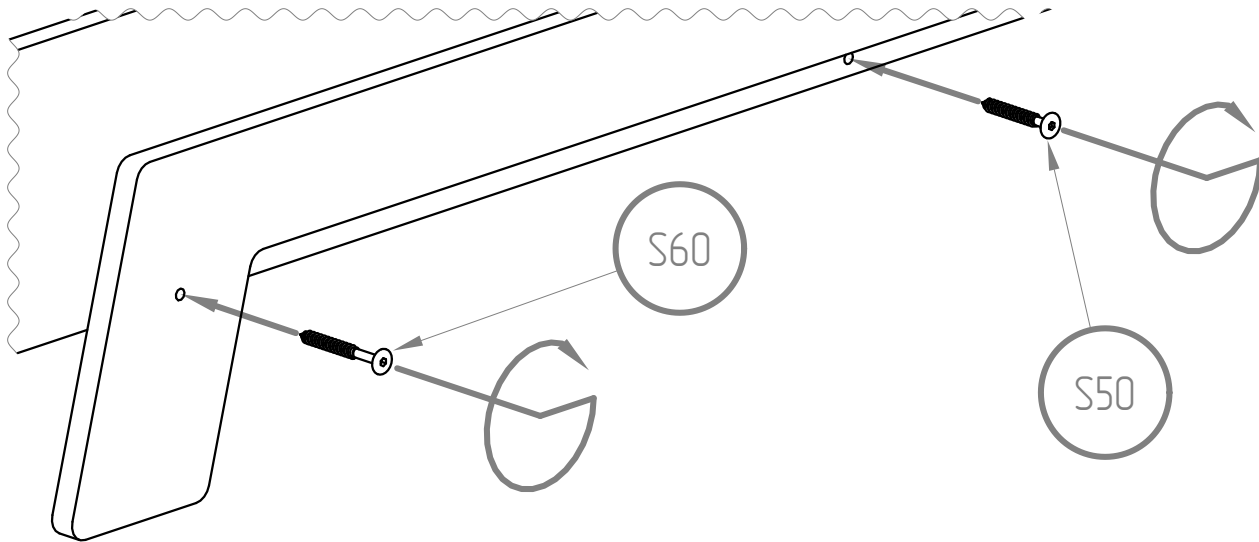
NG

NG

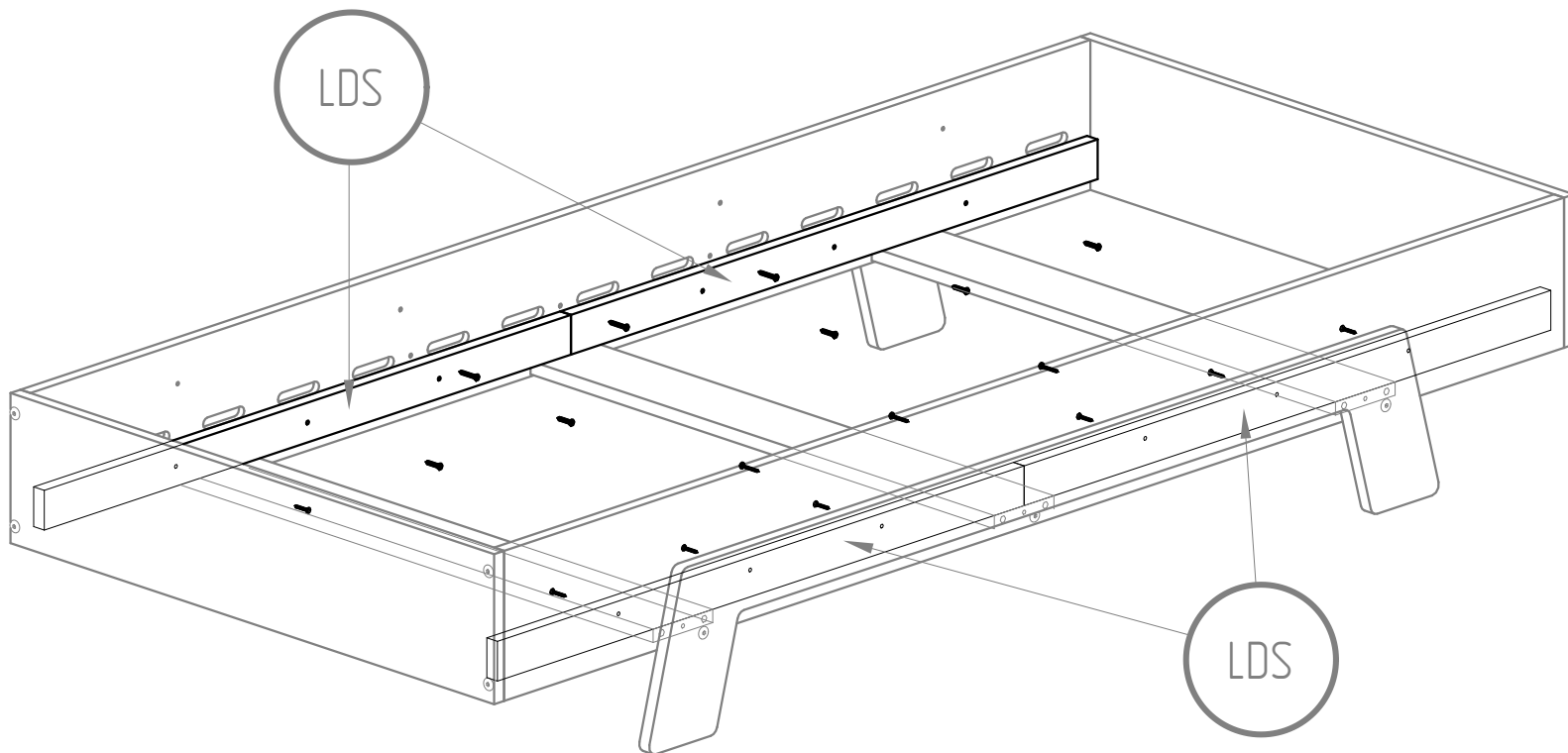
S60



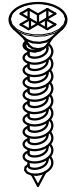
S60
M6X60



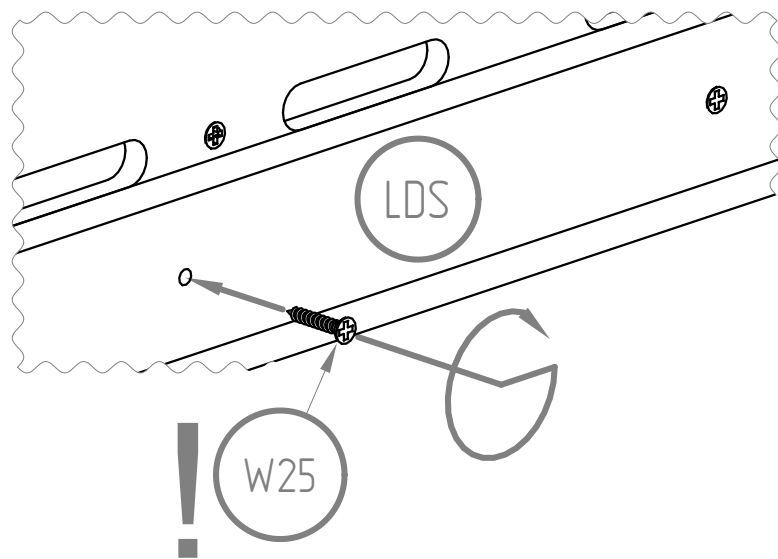
S50
M6X50



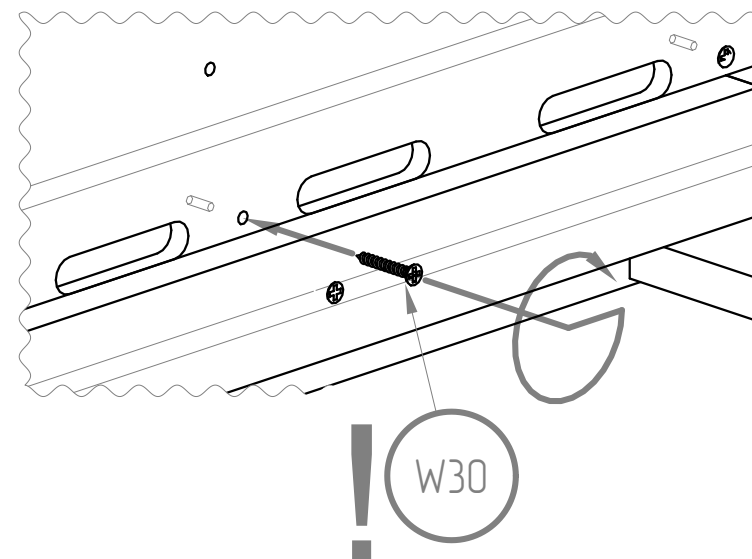
W30 M4X30



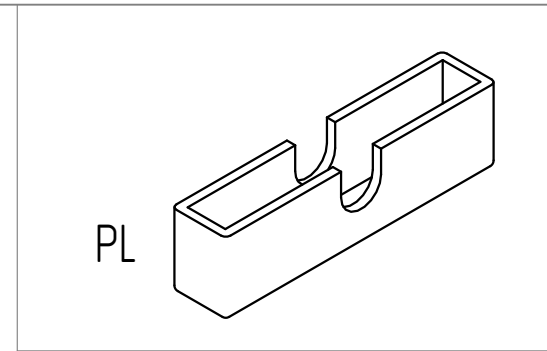
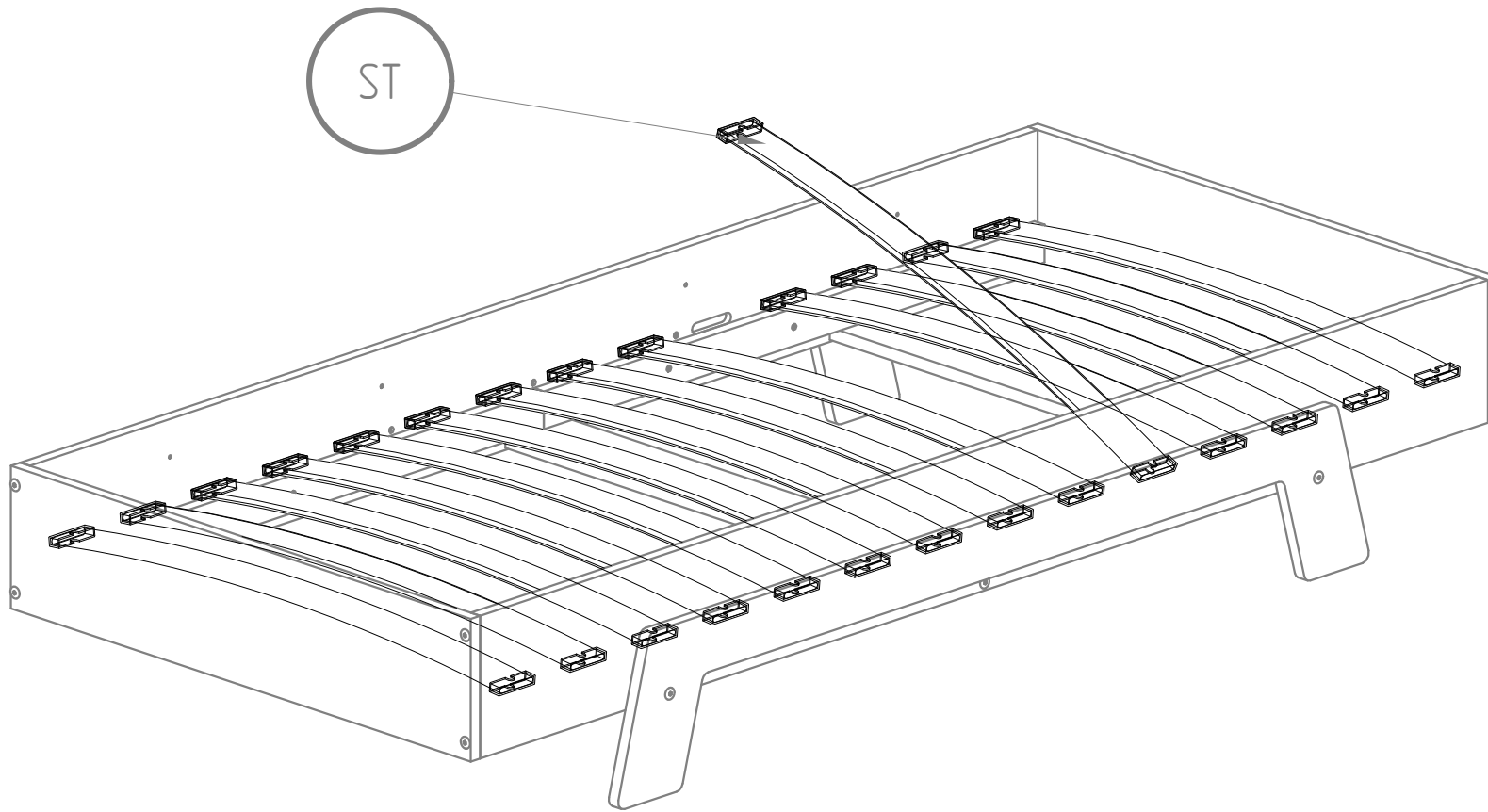
W25 M4X25

SCREWS FOR ASSEMBLY ELEMENT NG

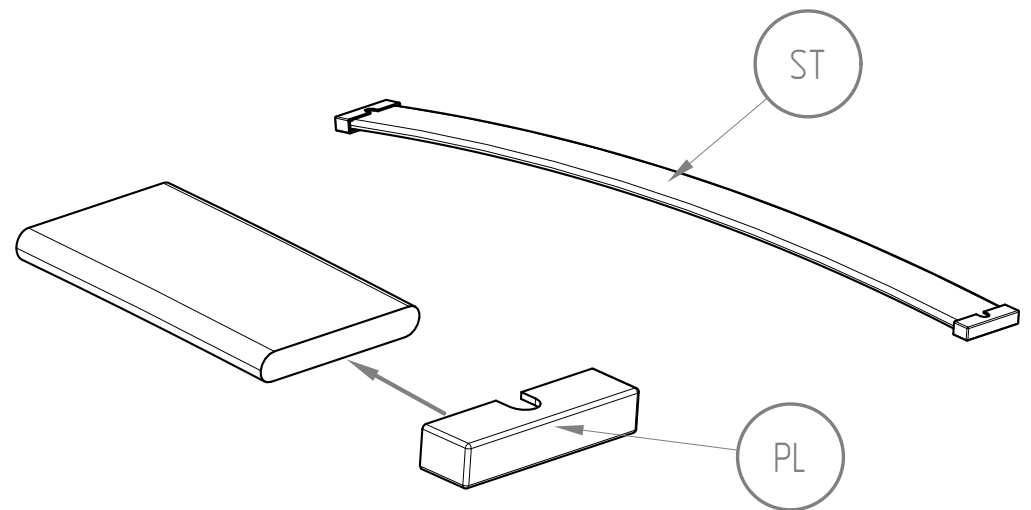


5



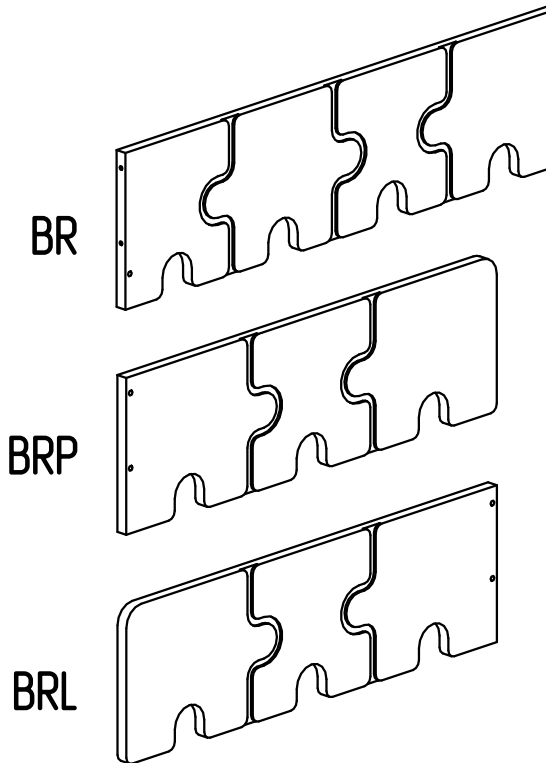
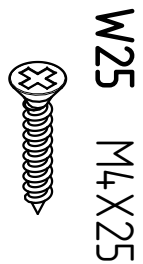
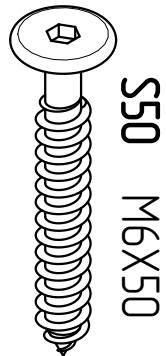
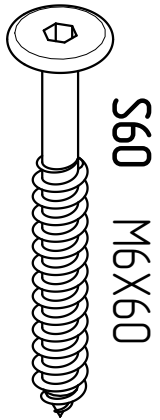
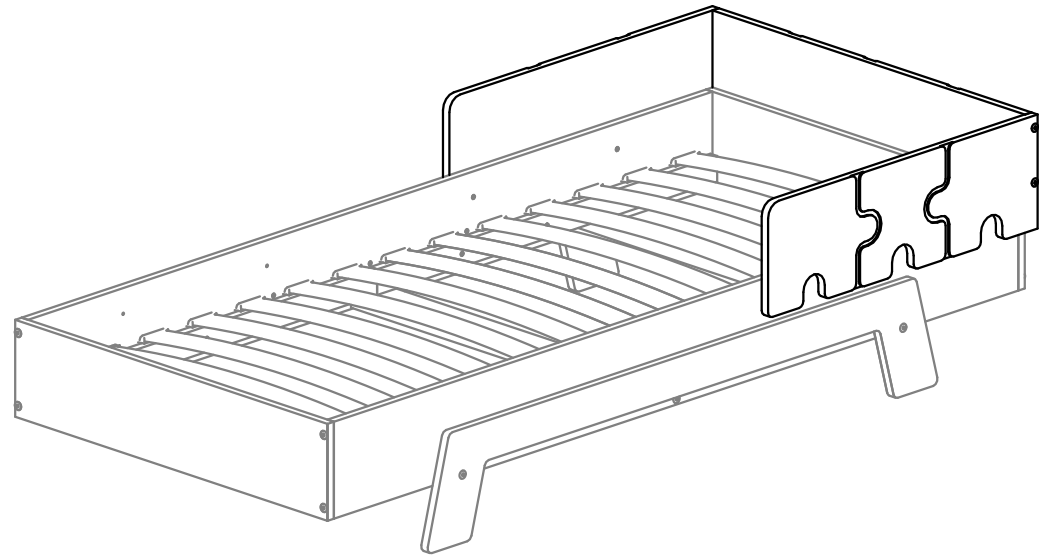
Important!

Install the plastic caps before assembling the ST spring slats to the bed frame.



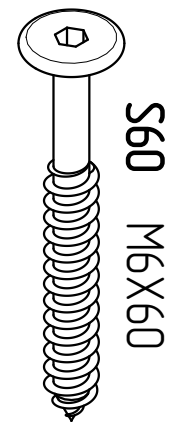
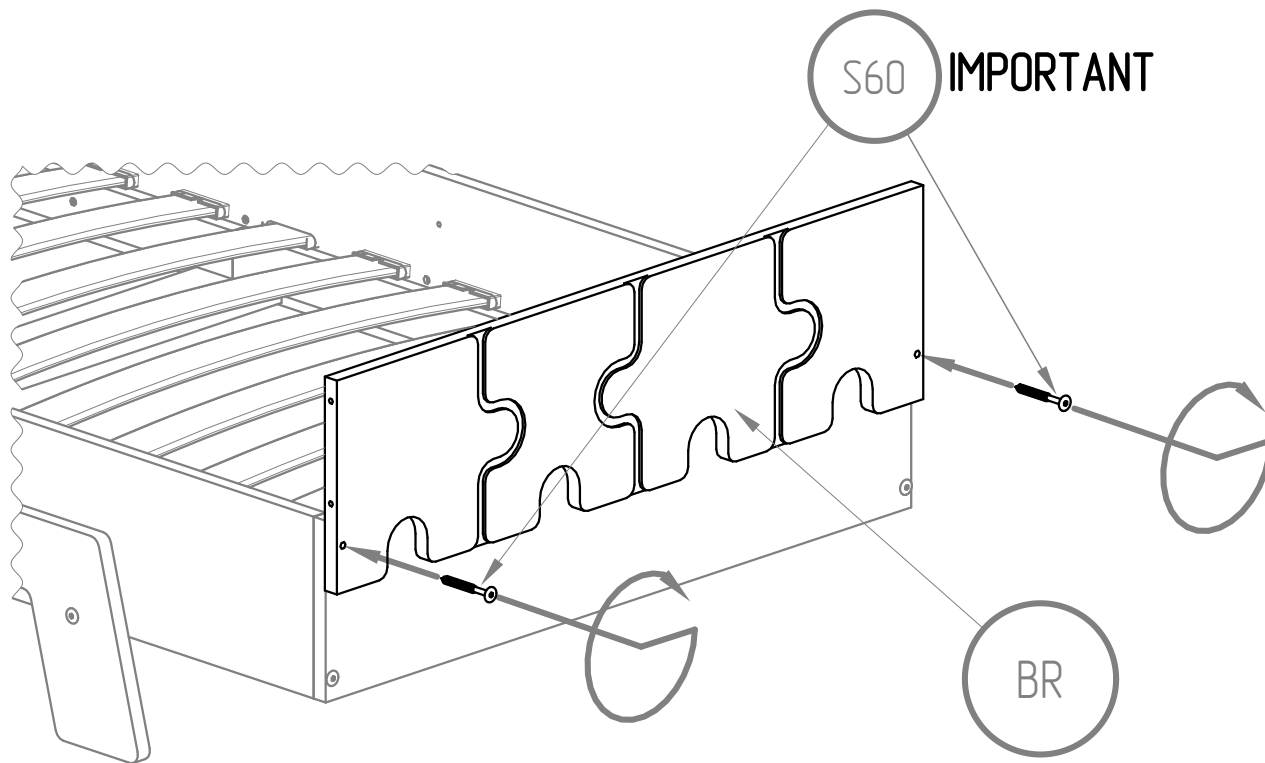
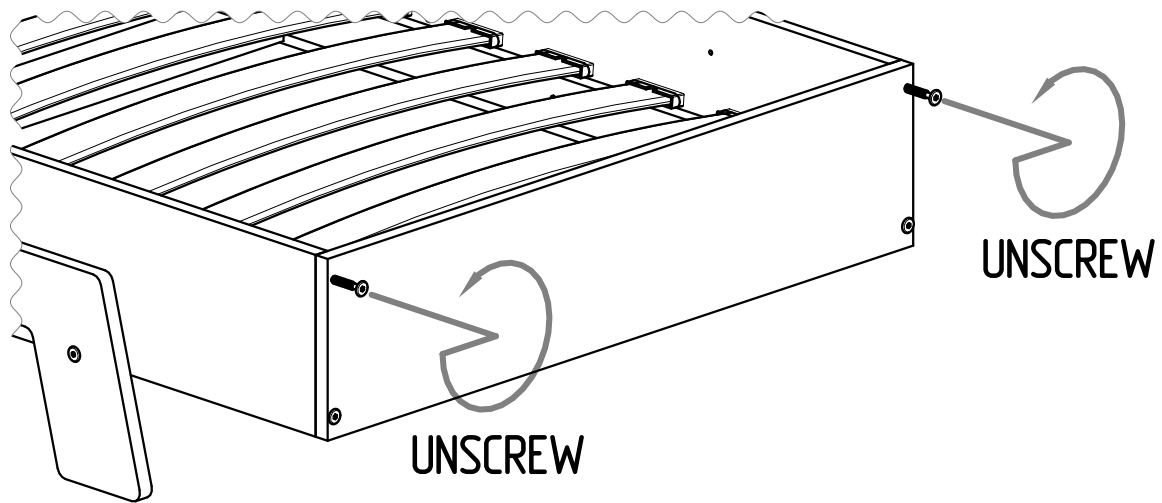
BARRIER

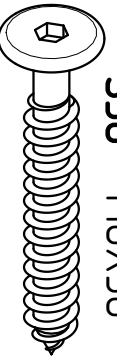
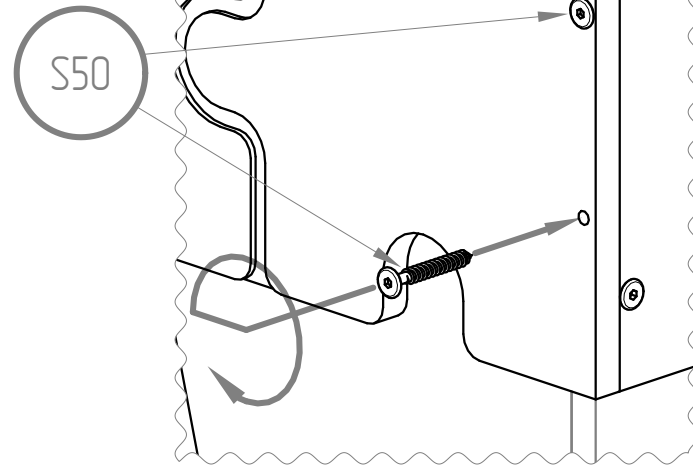
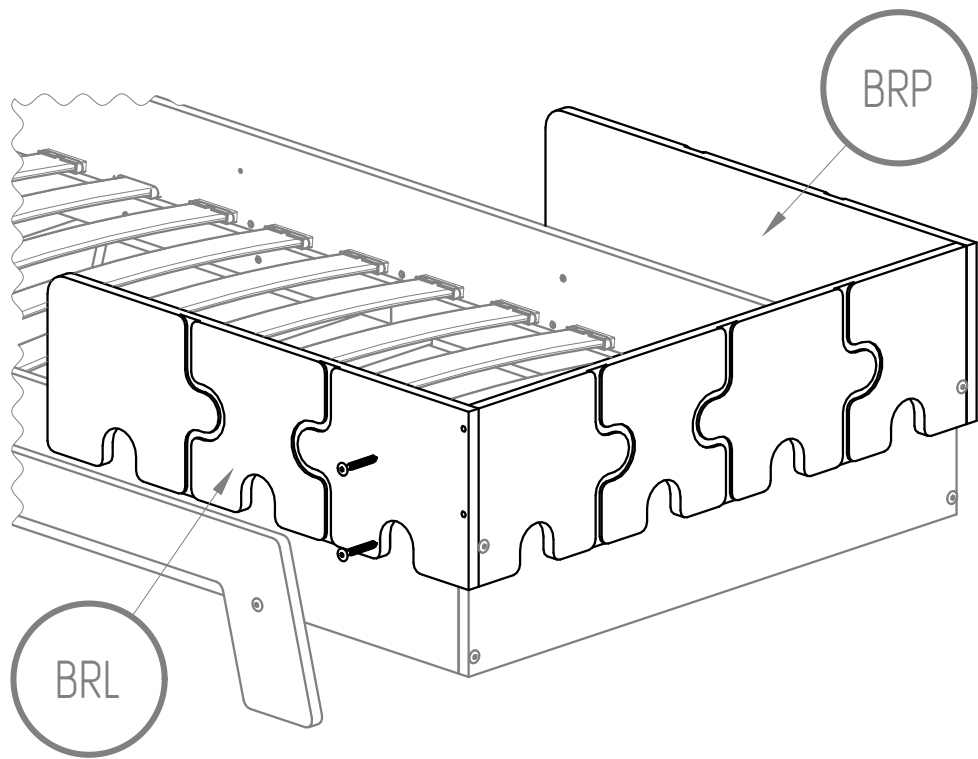
SCREWS	
S60	x2
S50	x4
W25	x4



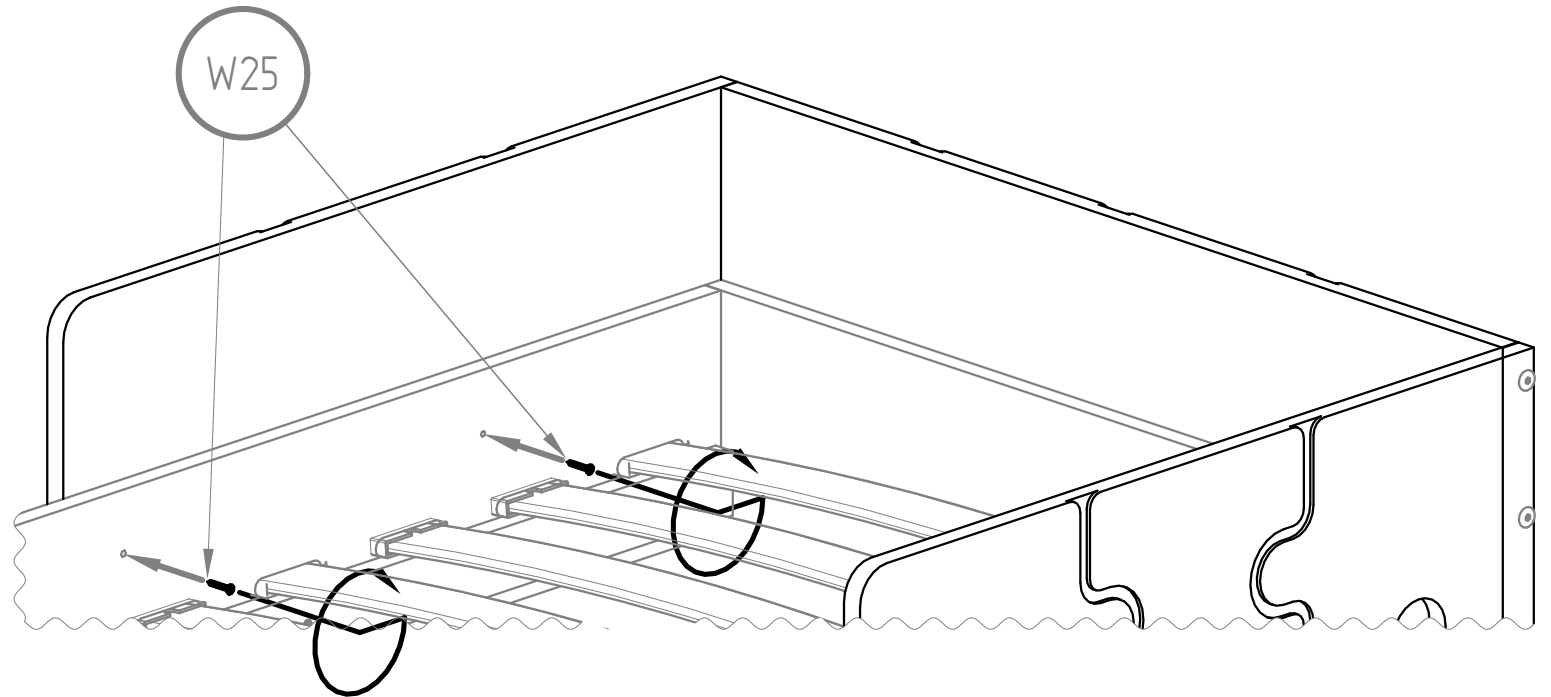
BARRIER

BR	x1
BRP	x1
BRL	x1





S50 M6X50



TO ASSEMBLY SECOND BARRIER FOLLOW PAGE 9 AND 10

