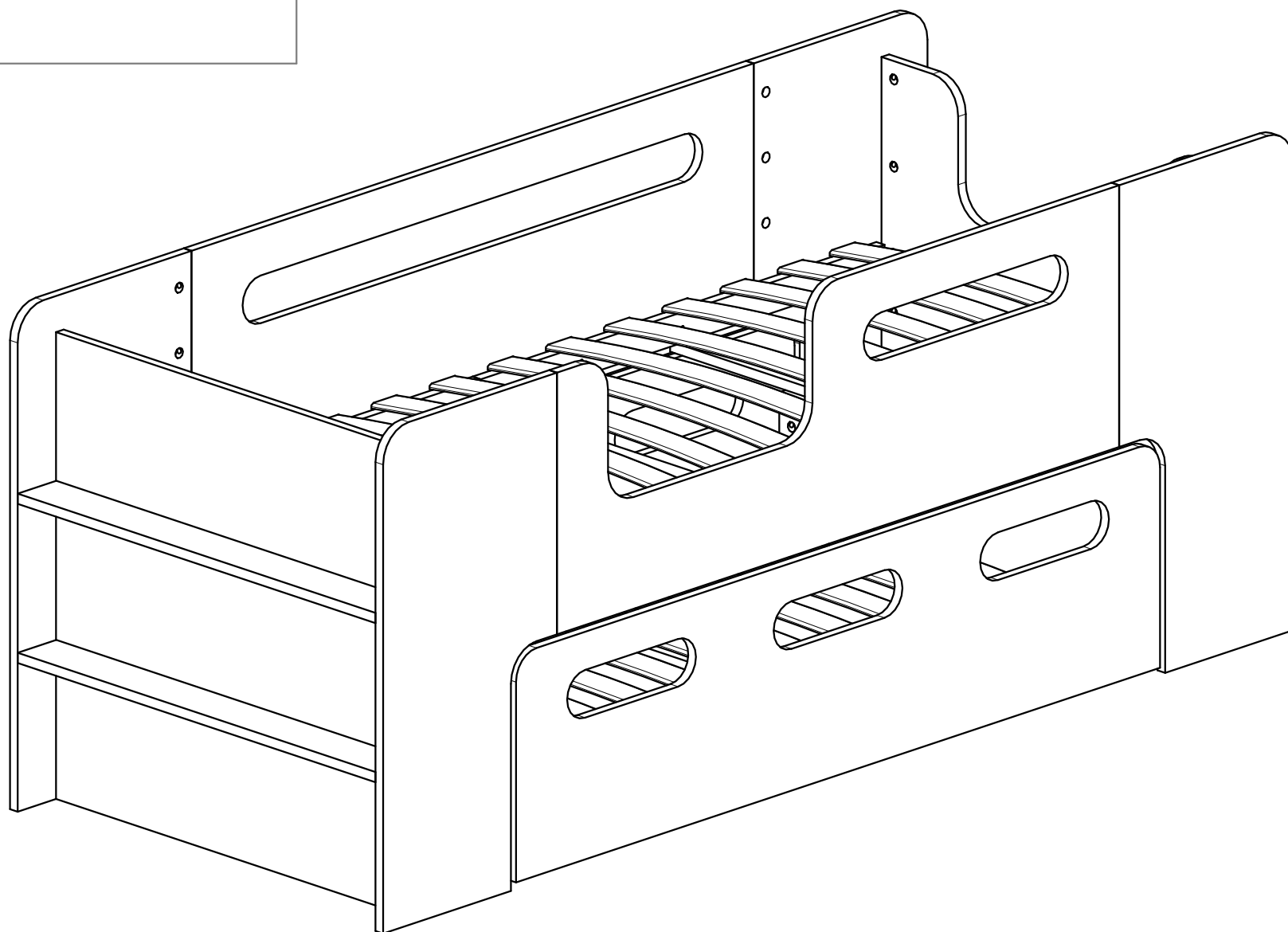
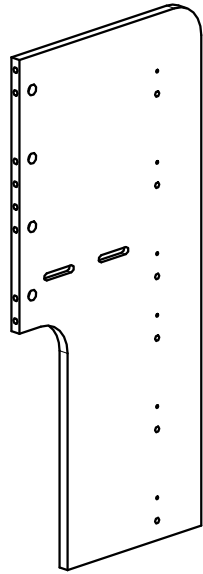
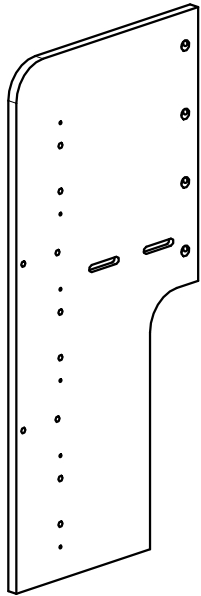


PIPI

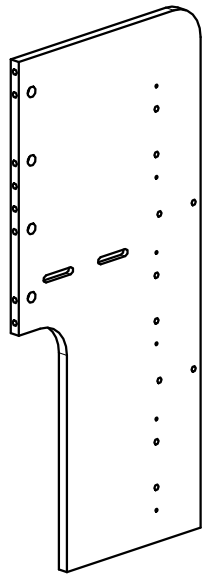
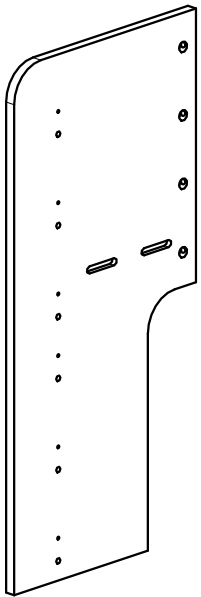


NLT



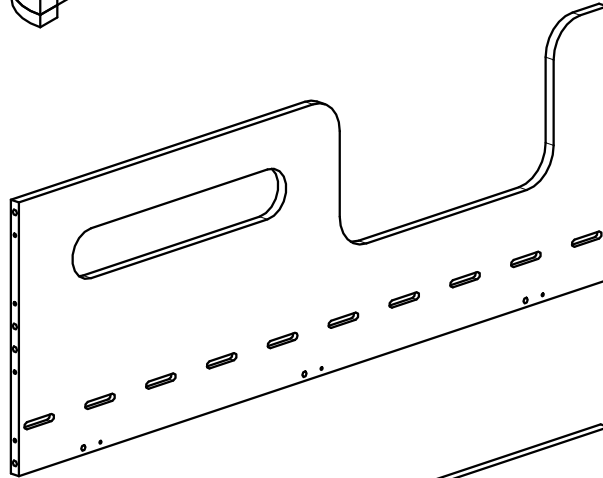
NPT

NPP

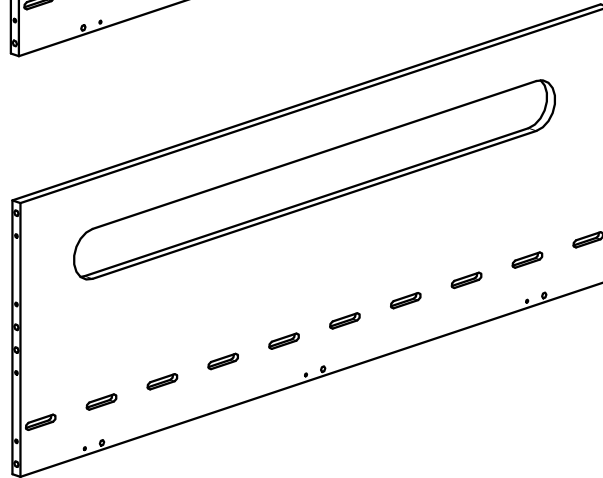


NLP

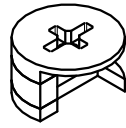
BDP



BDT



K8 M8X35



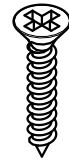
Mi



TRZ M5X35



W13 M4X13



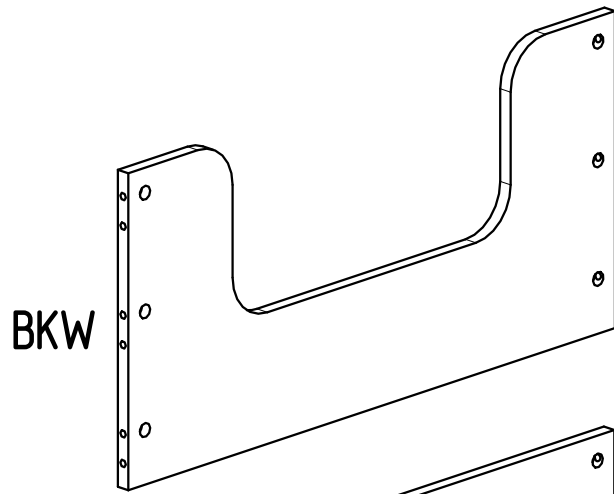
W25 M4X25

SCREWS

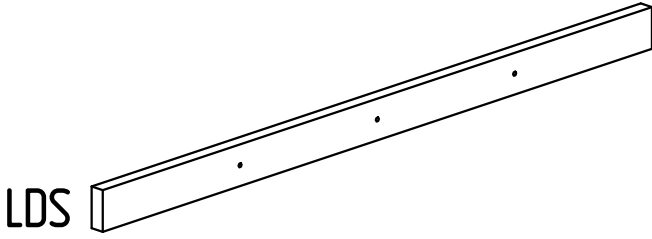
Mi	x58
TRZ	x58
K8	x66
W25	x24
W13	x16

PIPI

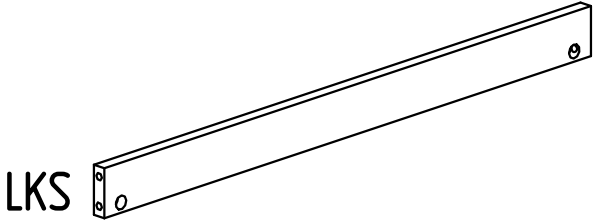
NLT	x1
NPT	x1
NPP	x1
NLP	x1
BDP	x1
BDT	x1



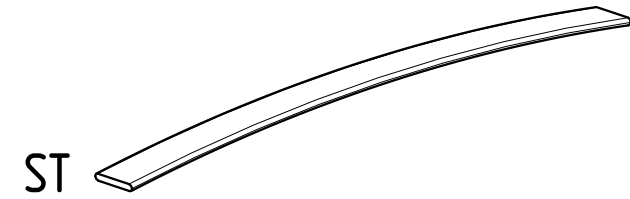
BKW



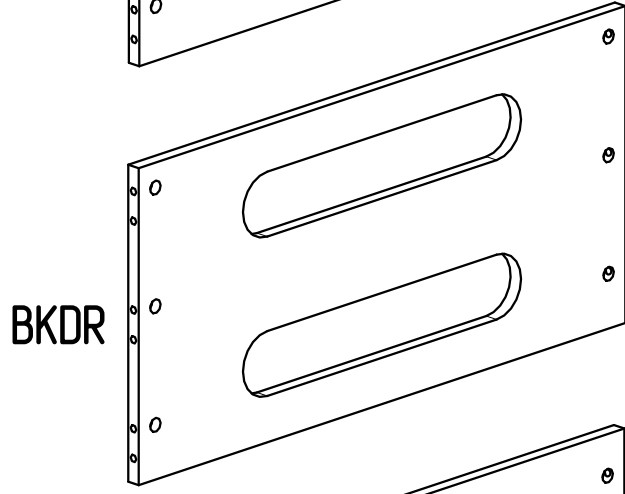
LDS



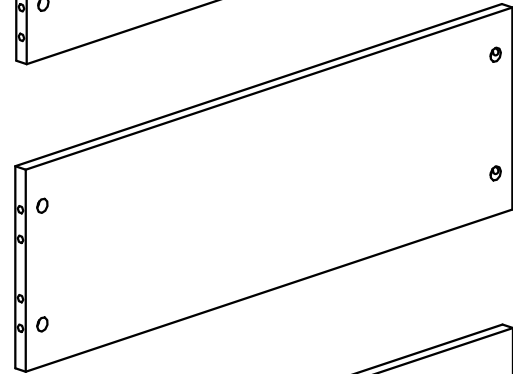
LKS



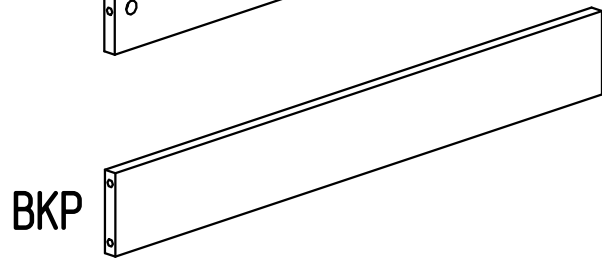
ST



BKDR



BK

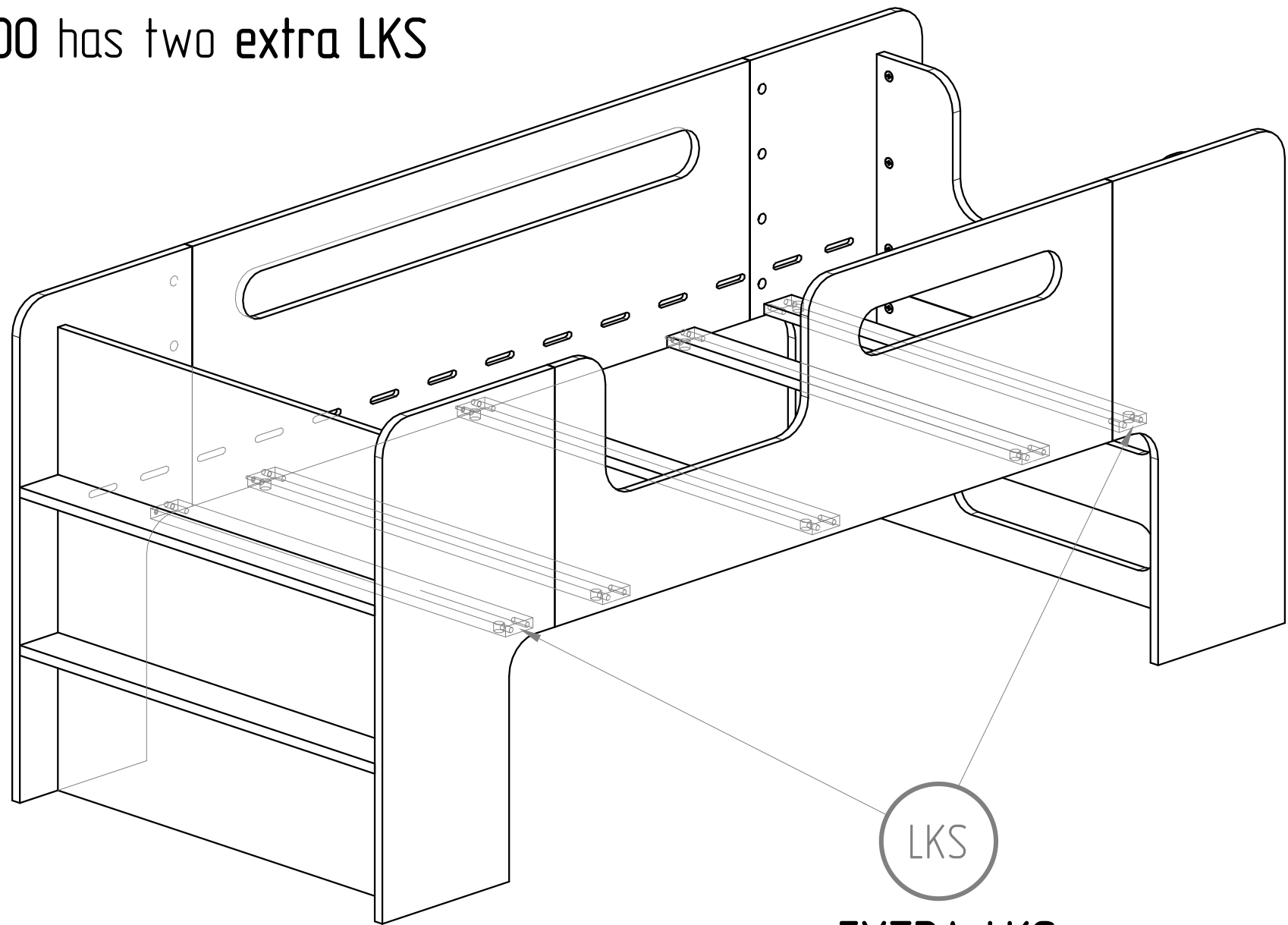


BKP

PIPI	
BKW	x1
BKDR	x1
BK	x3
BKP	x2
LDS	x4
LKS	x3
ST	x12-16

Remember when assembling!

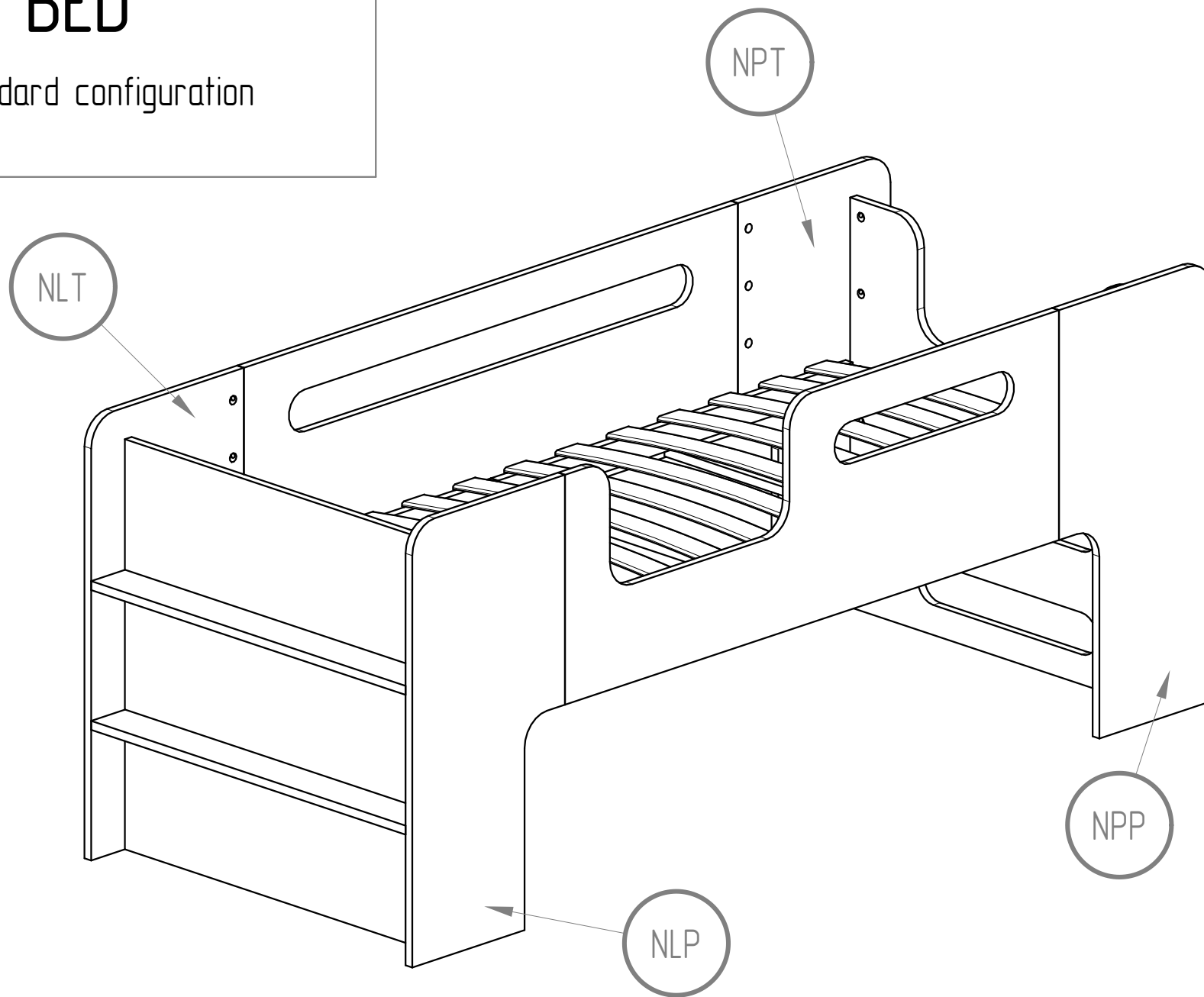
Size **100** has two **extra LKS**



EXTRA LKS

BED

Standard configuration



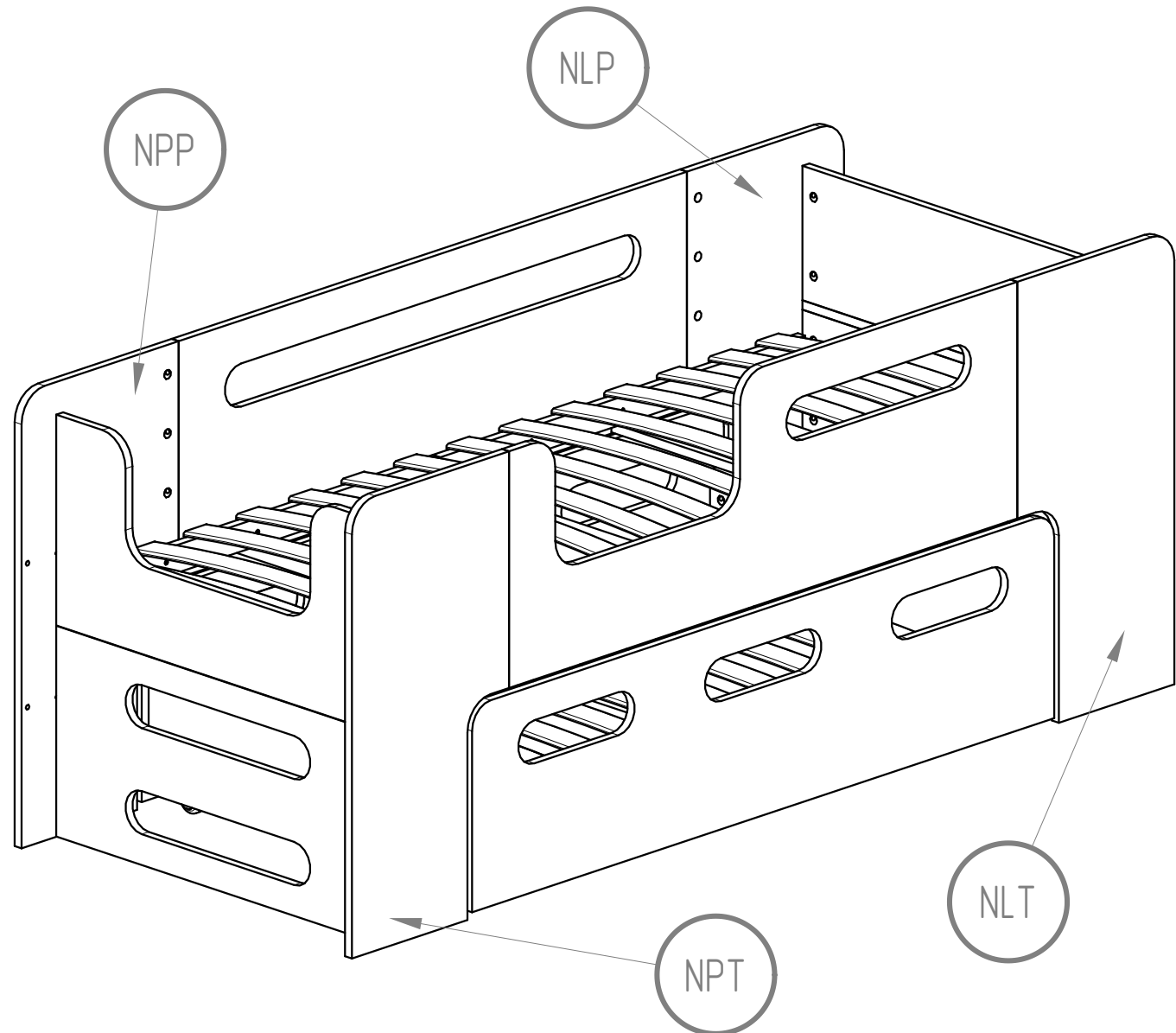
If you want to assemble the bed in the configuration as below,
(the ladder on the left side), you should replace the elements in the instructions:

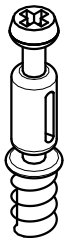
NLP → (NPT)

NPT → (NLP)

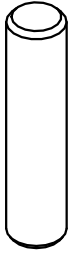
NLT → (NPP)

NPP → (NLT)





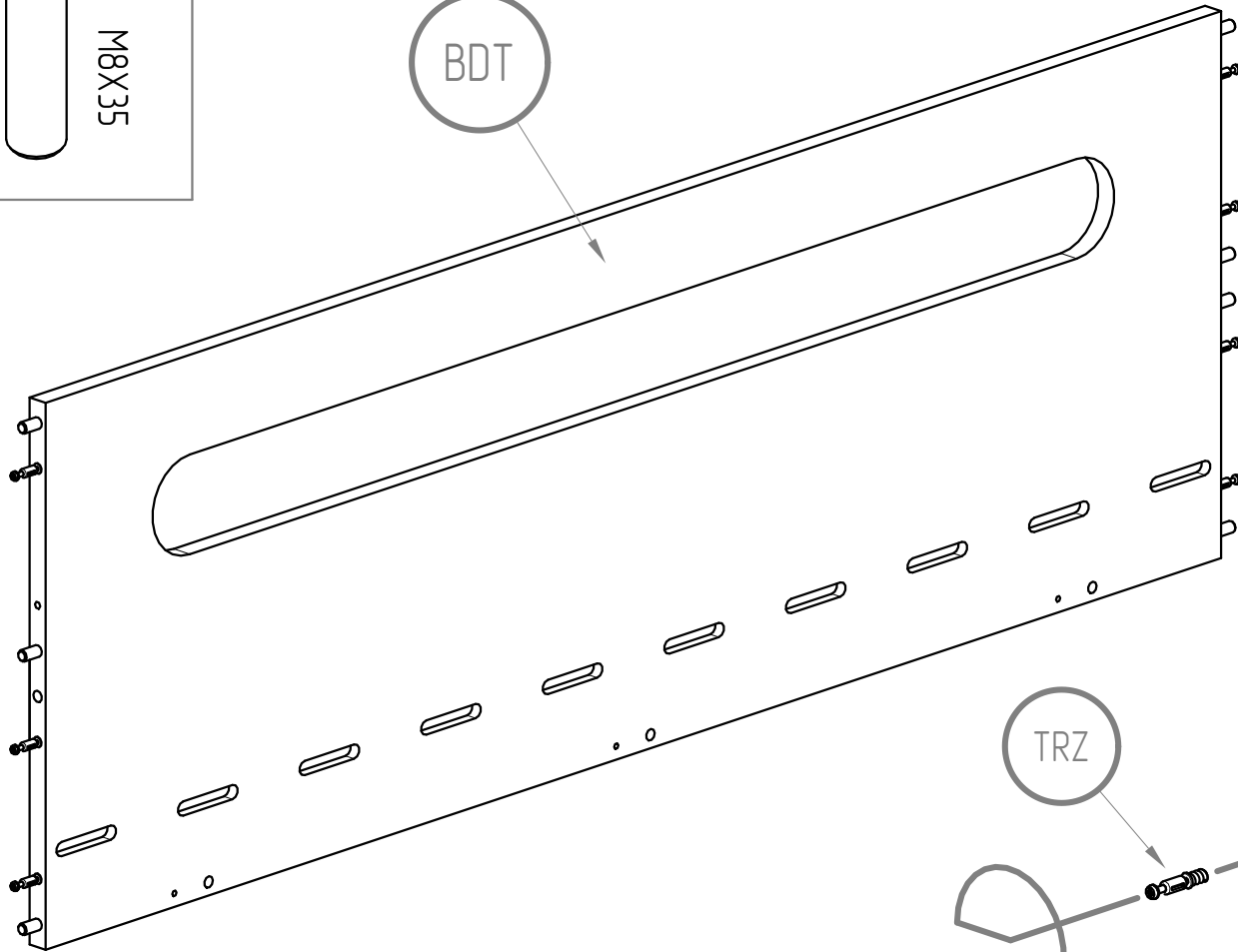
TRZ M5X35



K8 M8X35



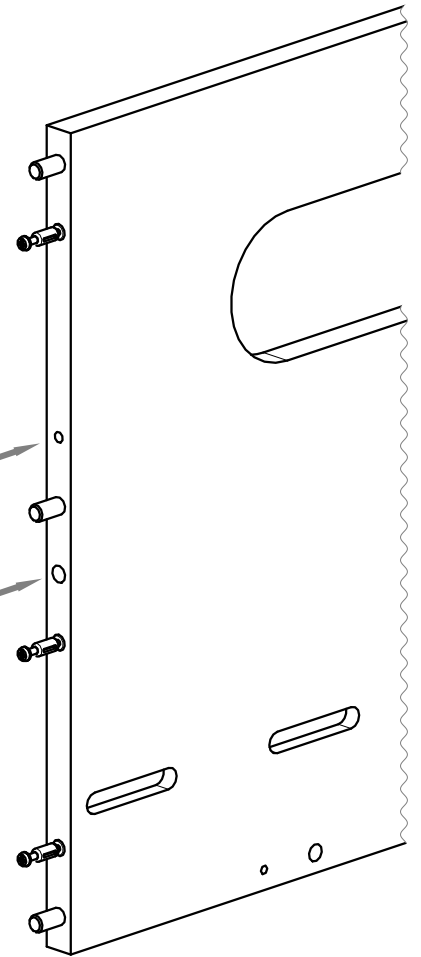
BDT

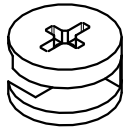


TRZ

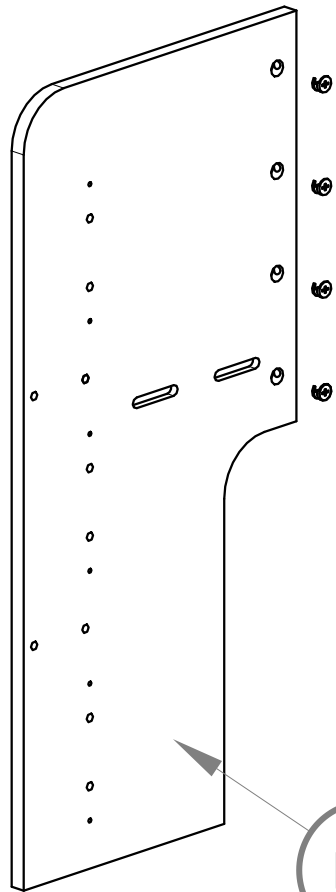


K8

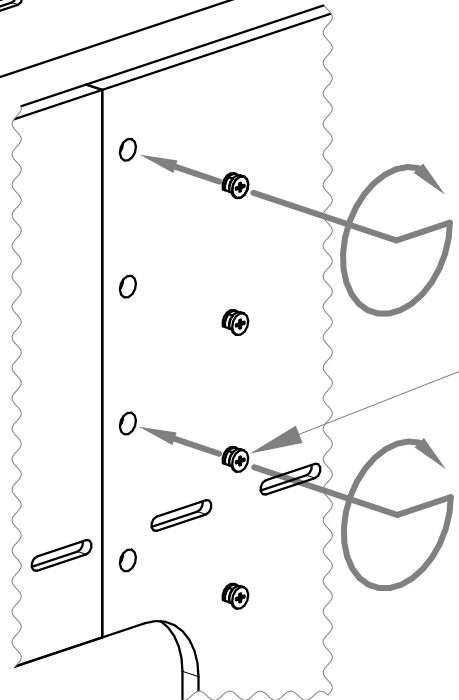
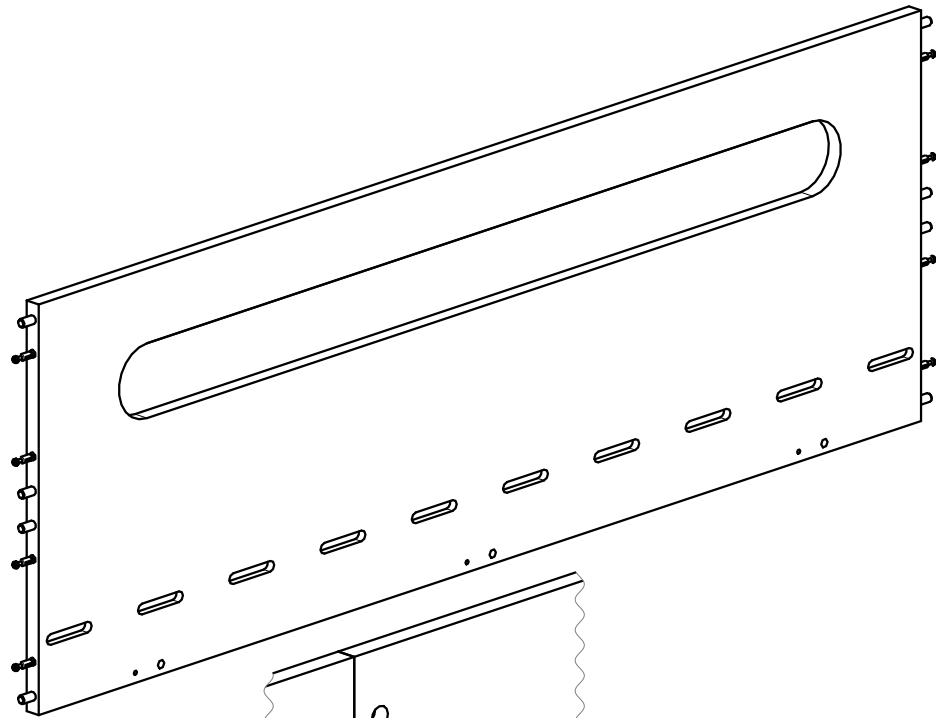




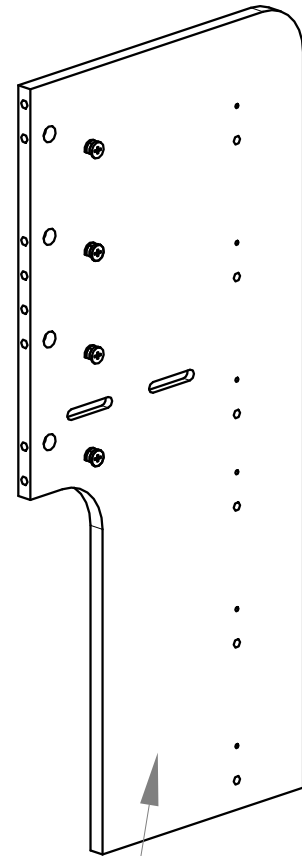
Mi



NLT



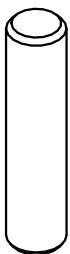
Mi



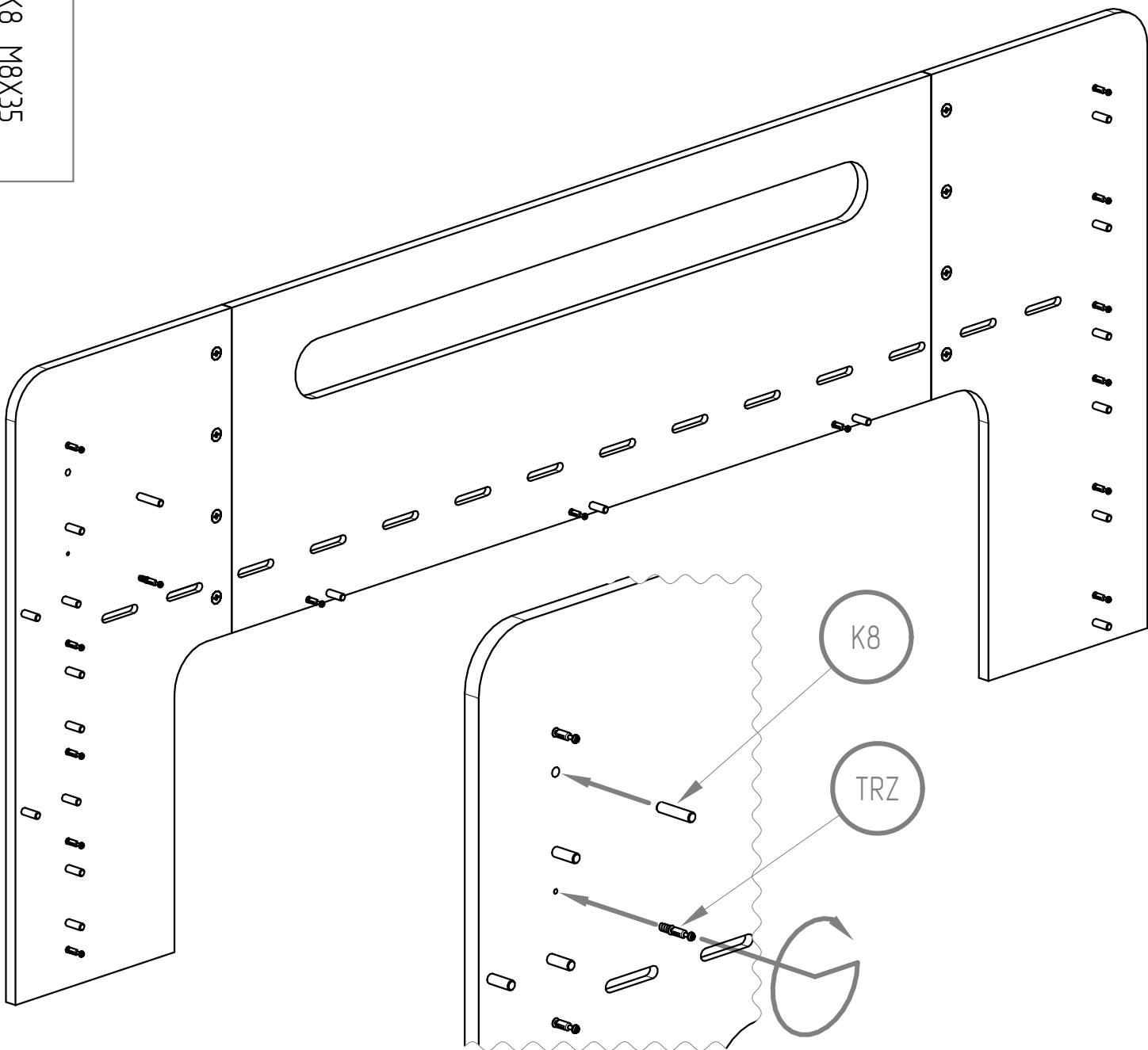
NPT



TRZ M5X35

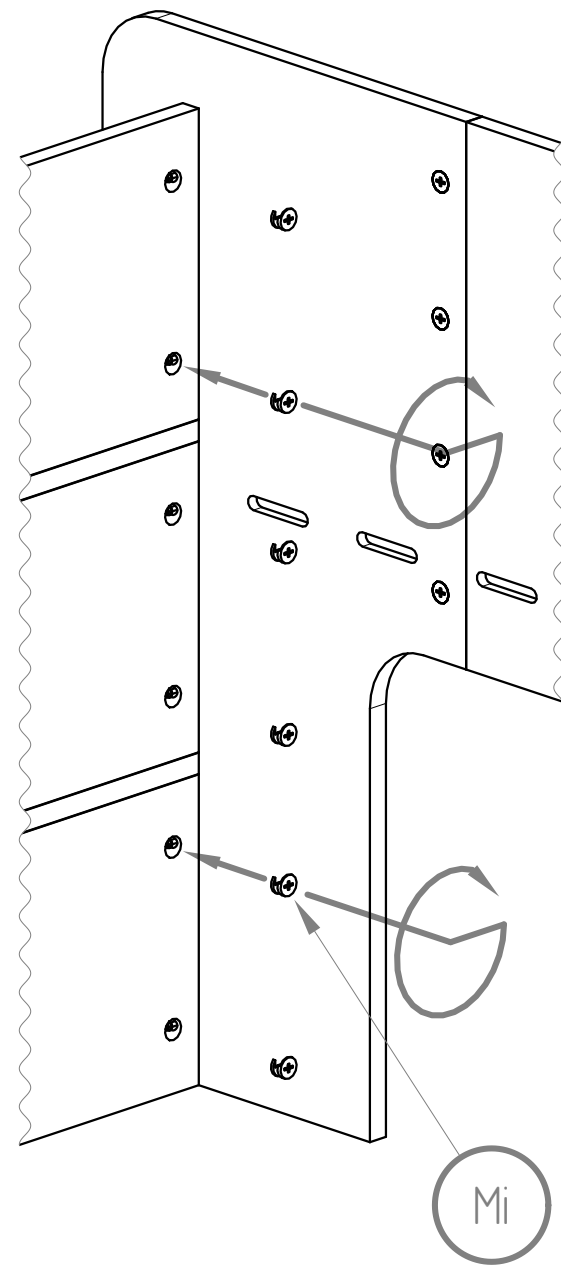
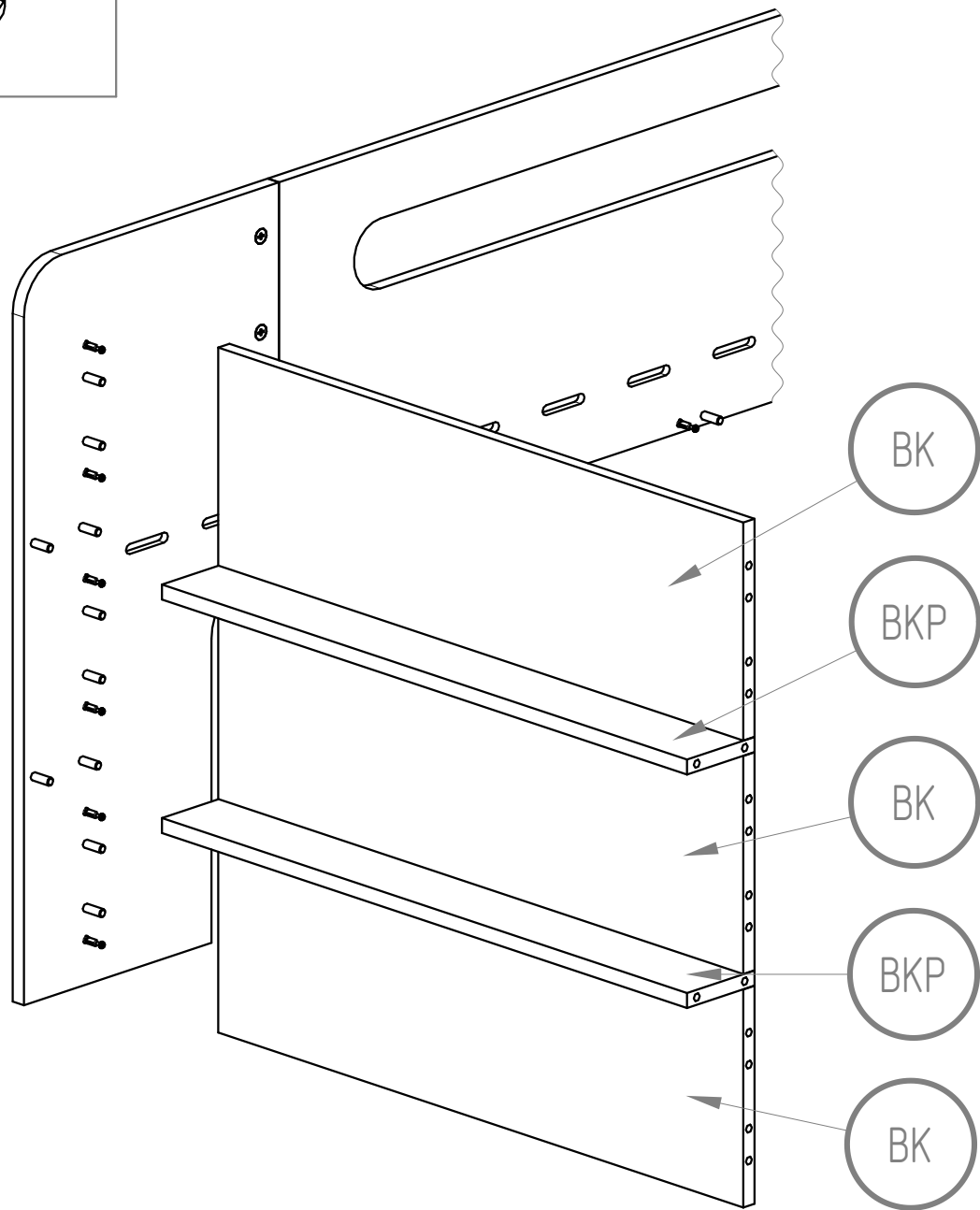


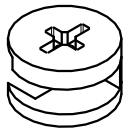
K8 M8X35



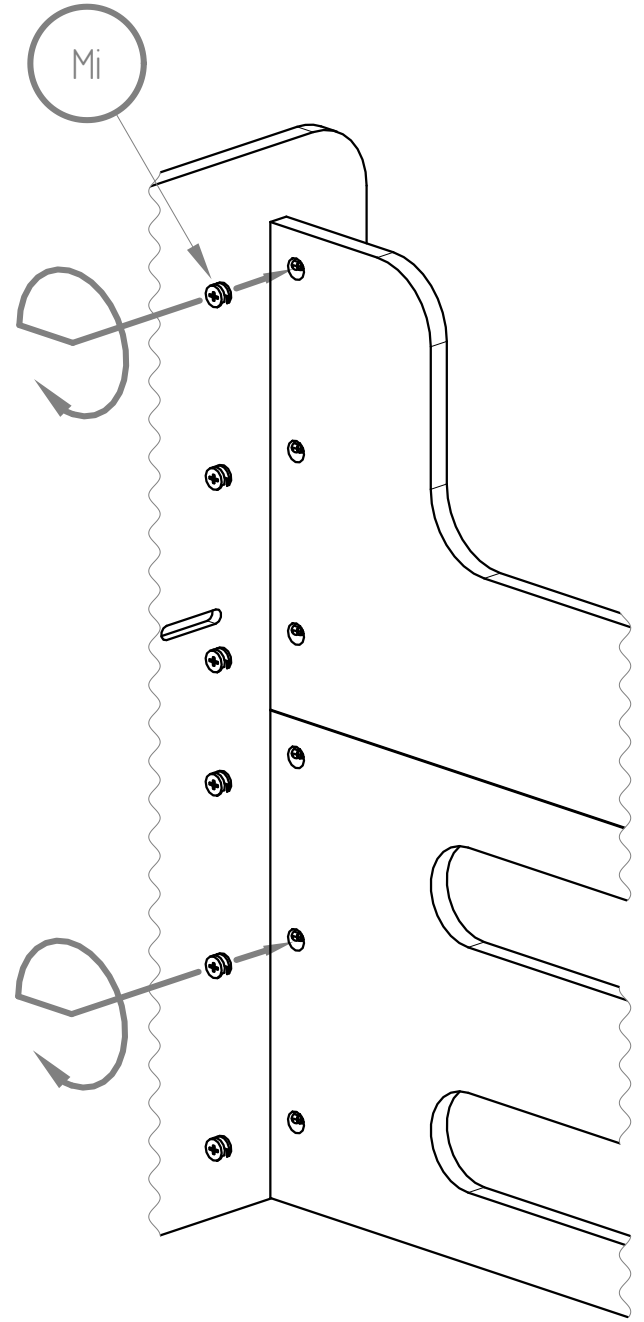
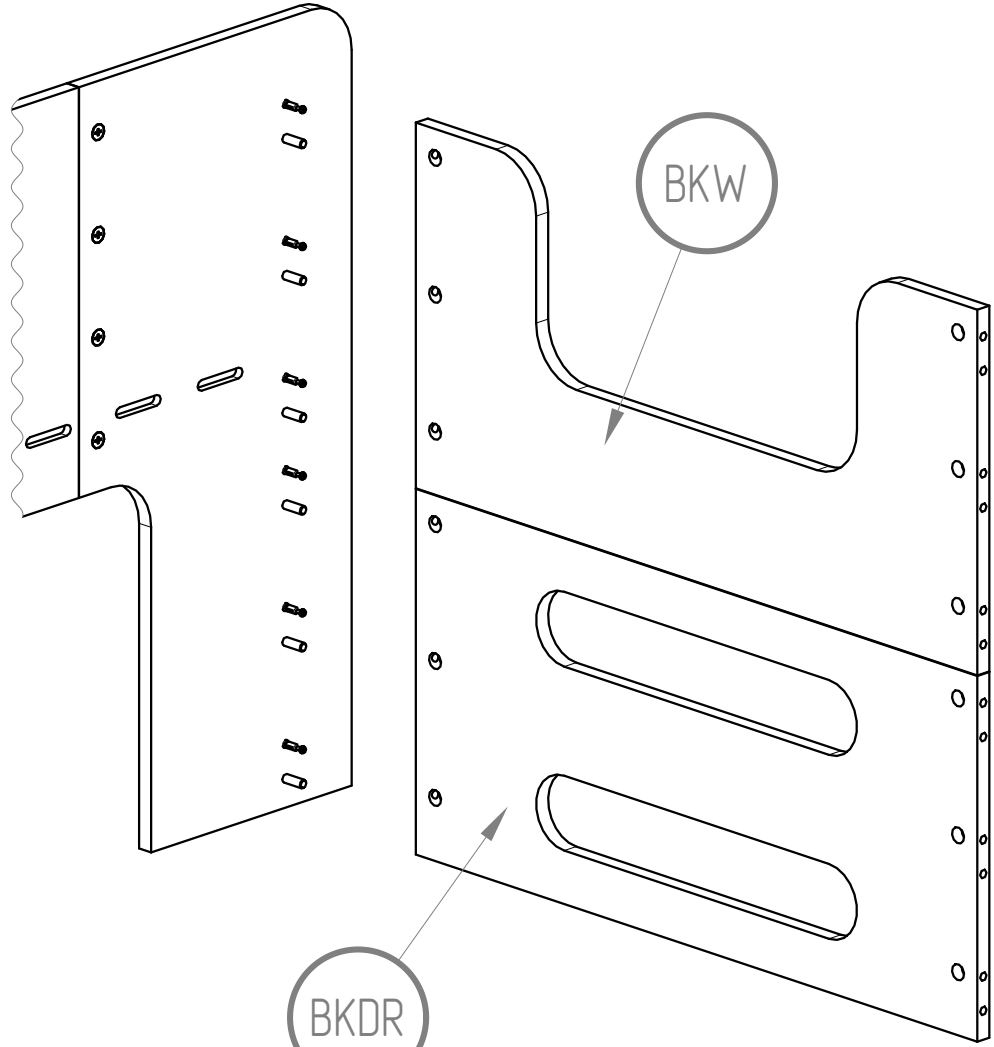


Mi



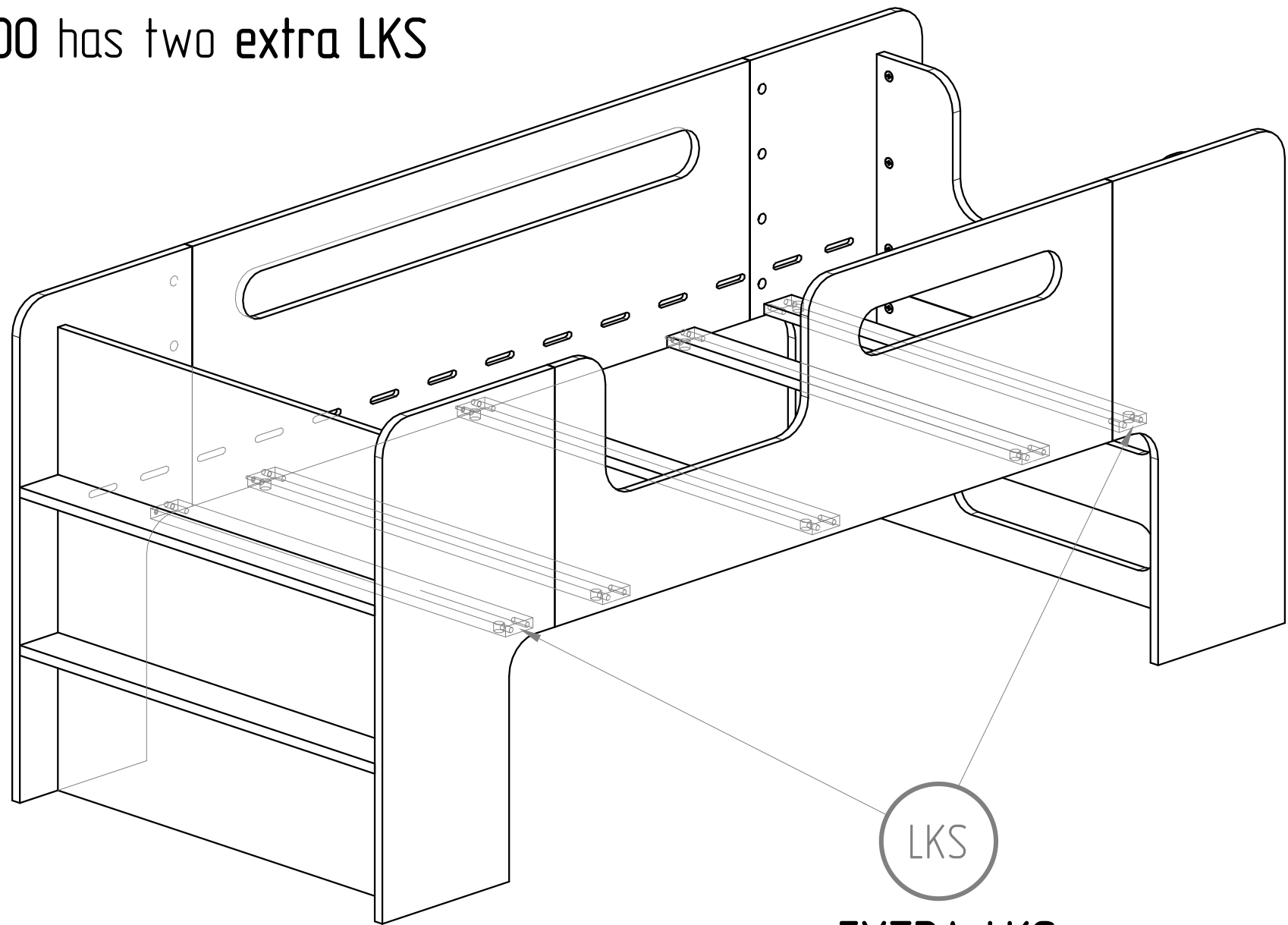


Mi



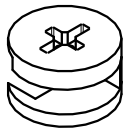
Remember when assembling!

Size **100** has two **extra LKS**

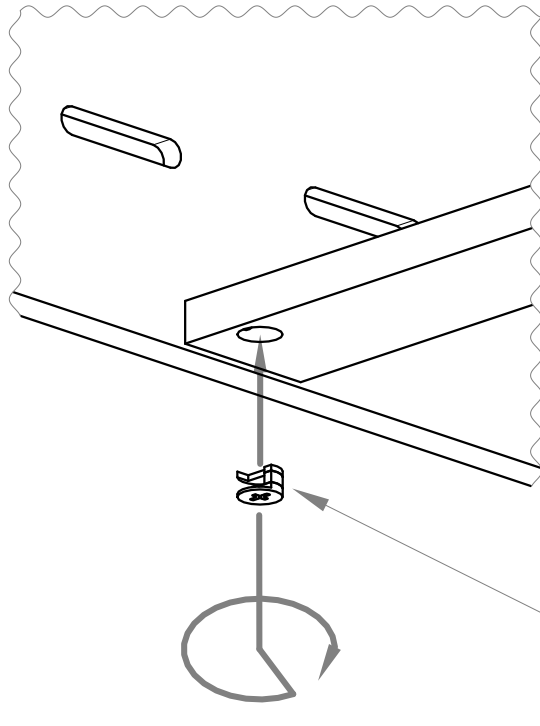


LKS

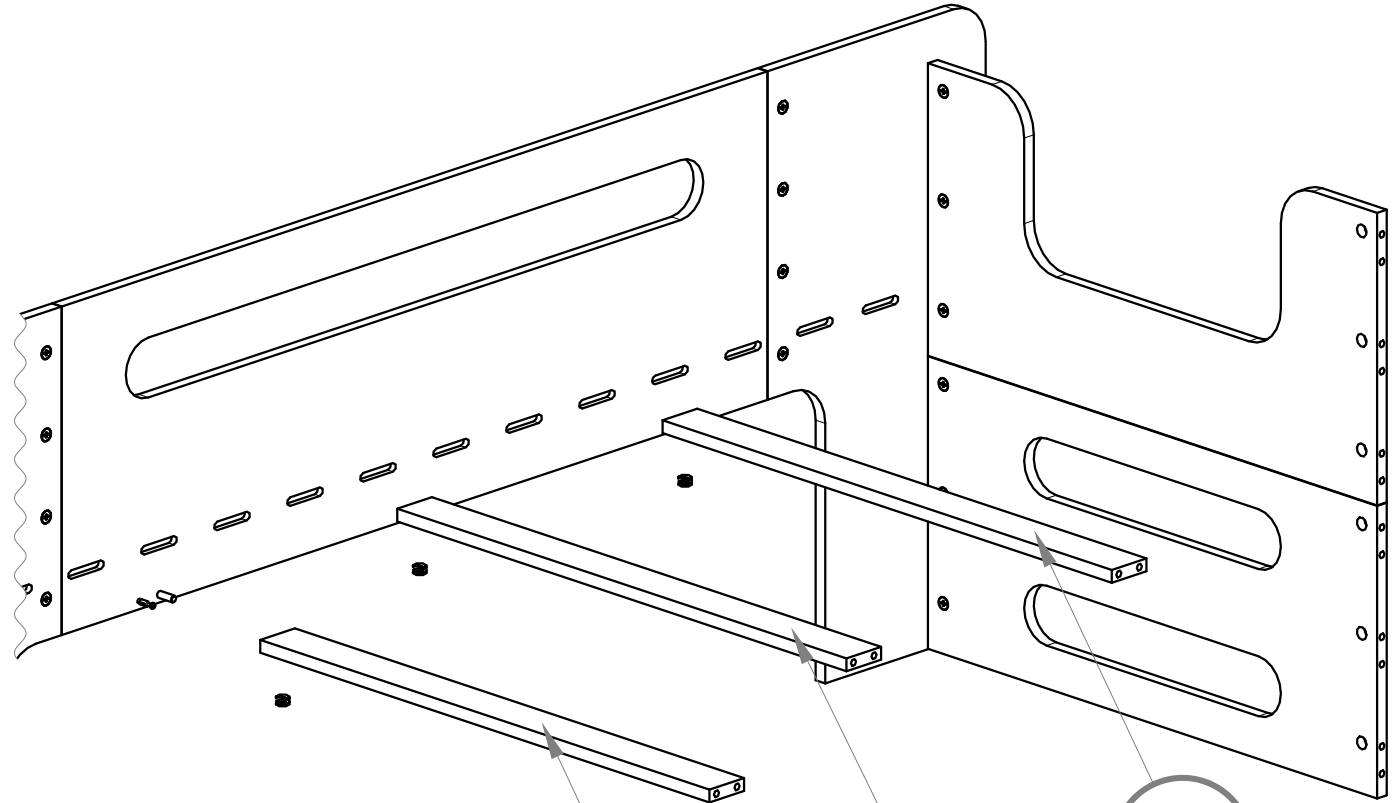
EXTRA LKS



Mi



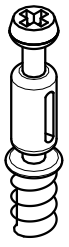
Mi



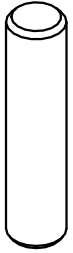
LKS

LKS

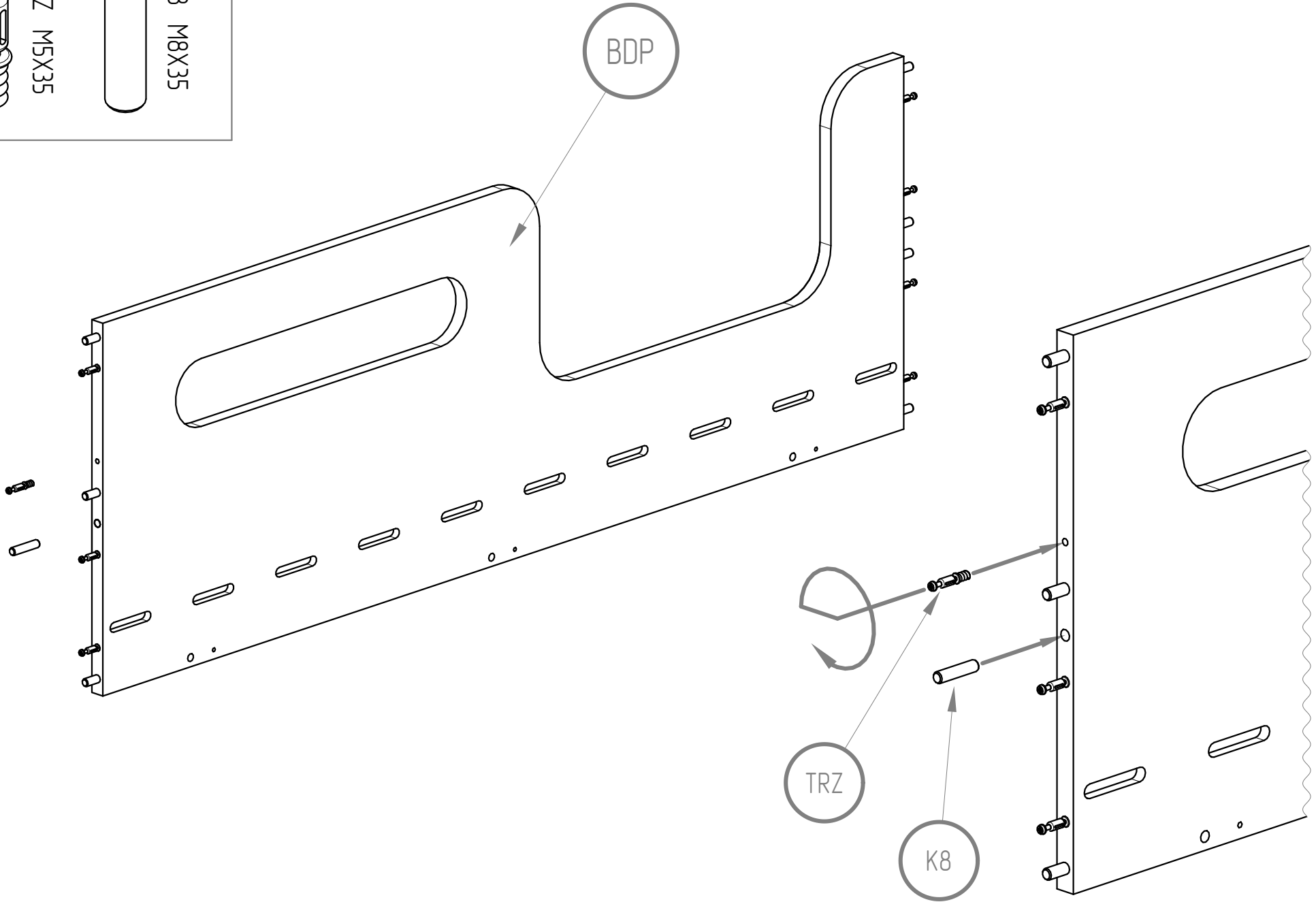
LKS

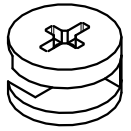


TRZ M5X35

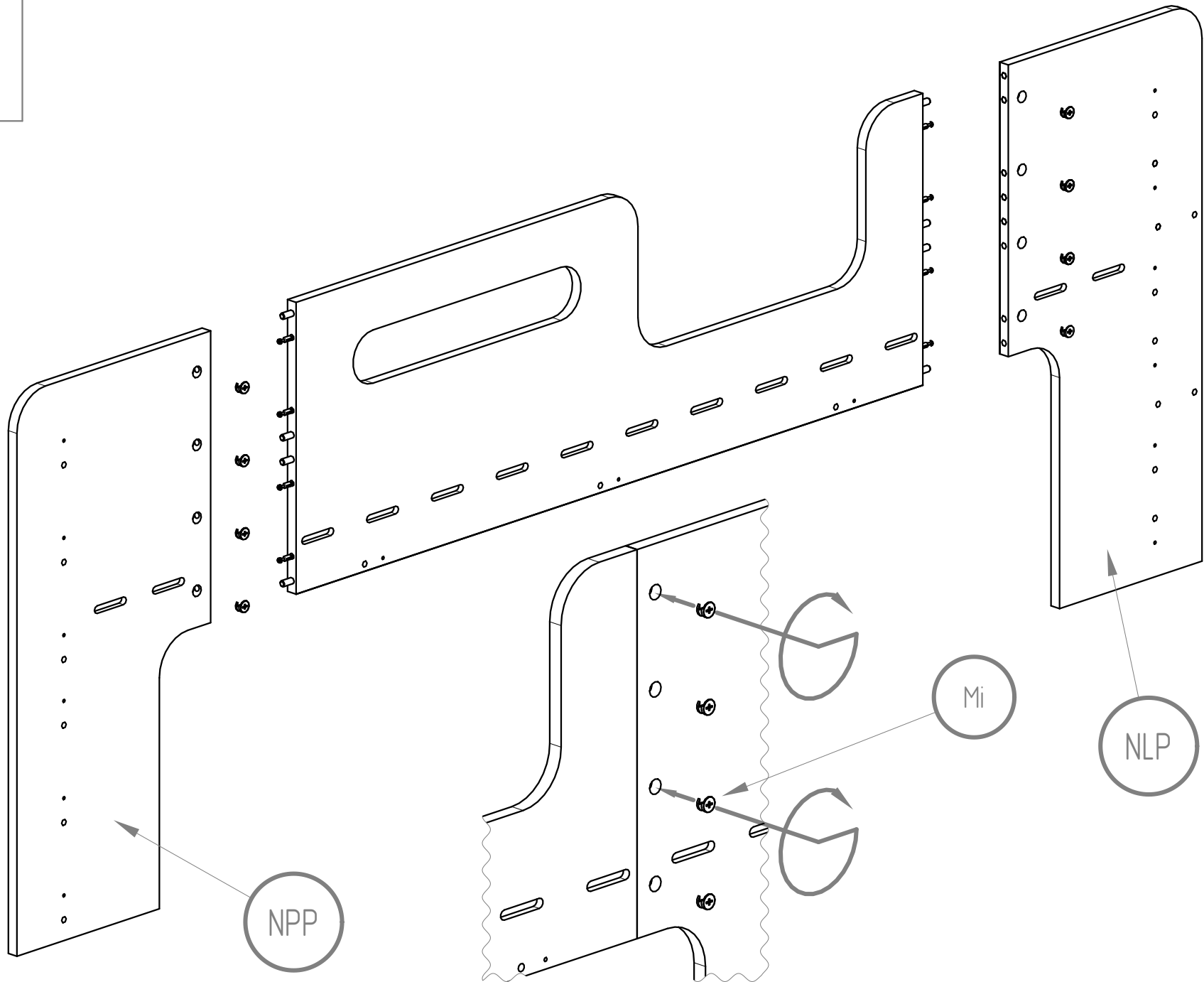


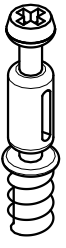
K8 M8X35



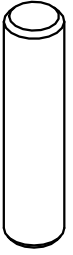


Mi

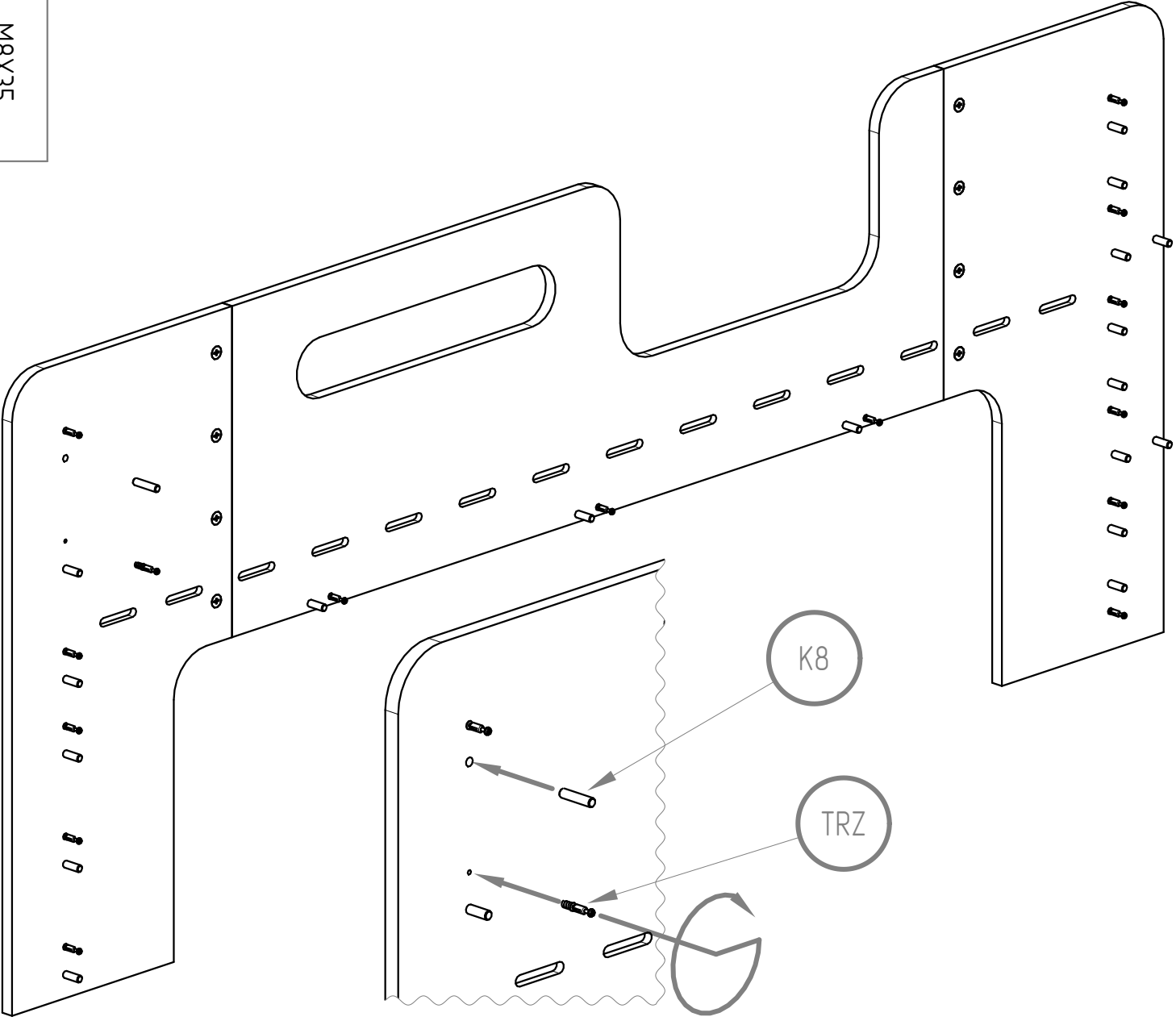


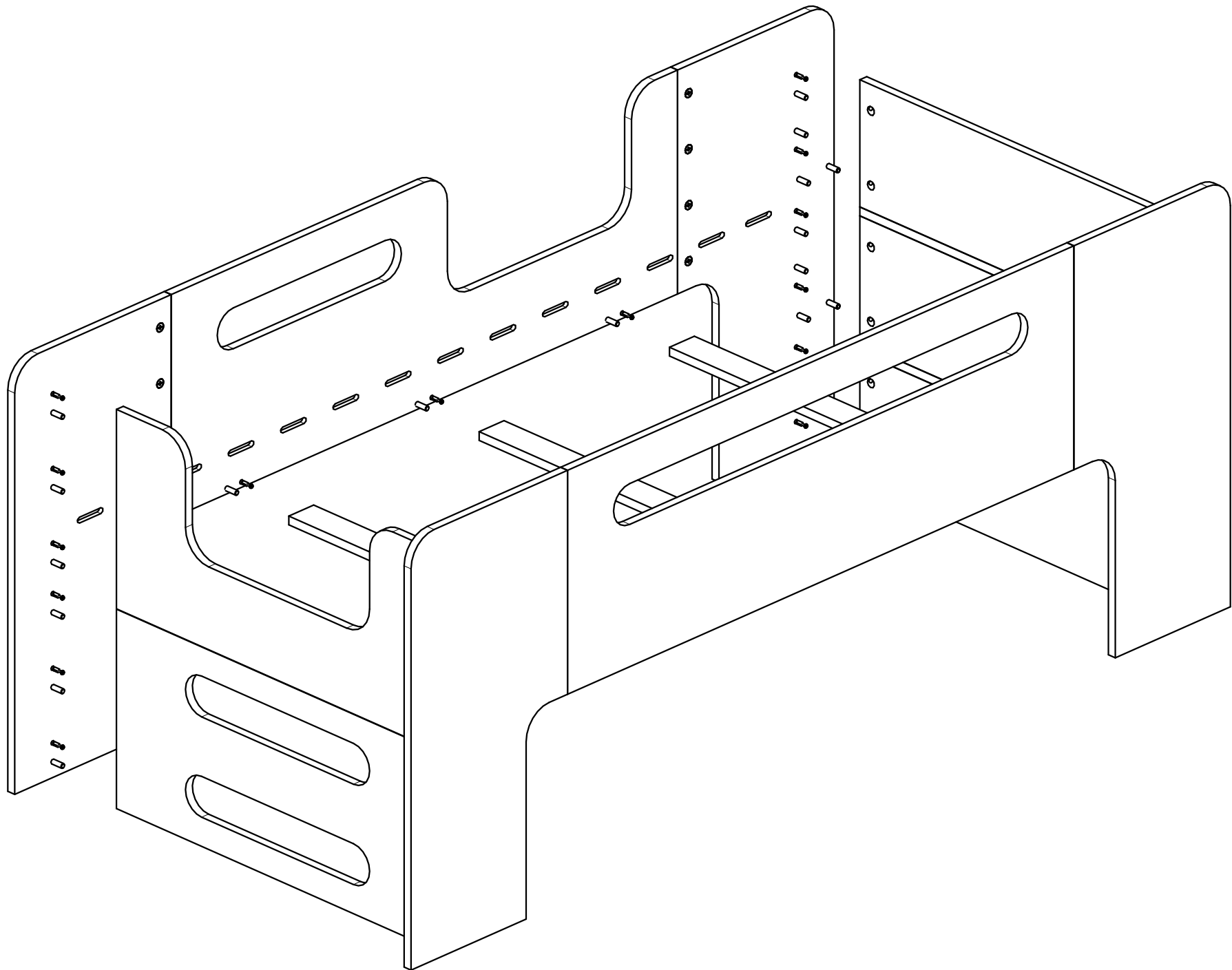


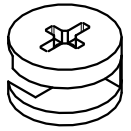
TRZ M5X35



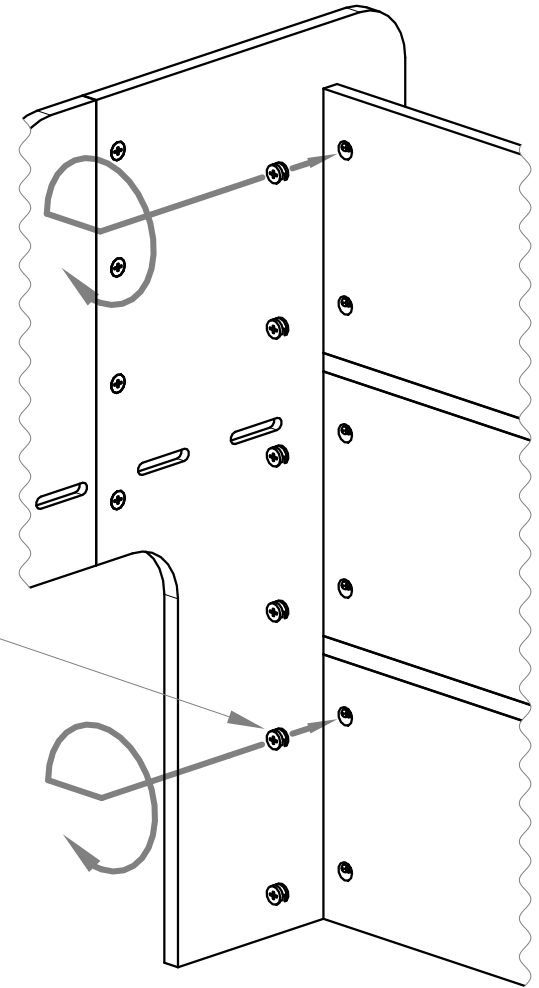
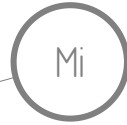
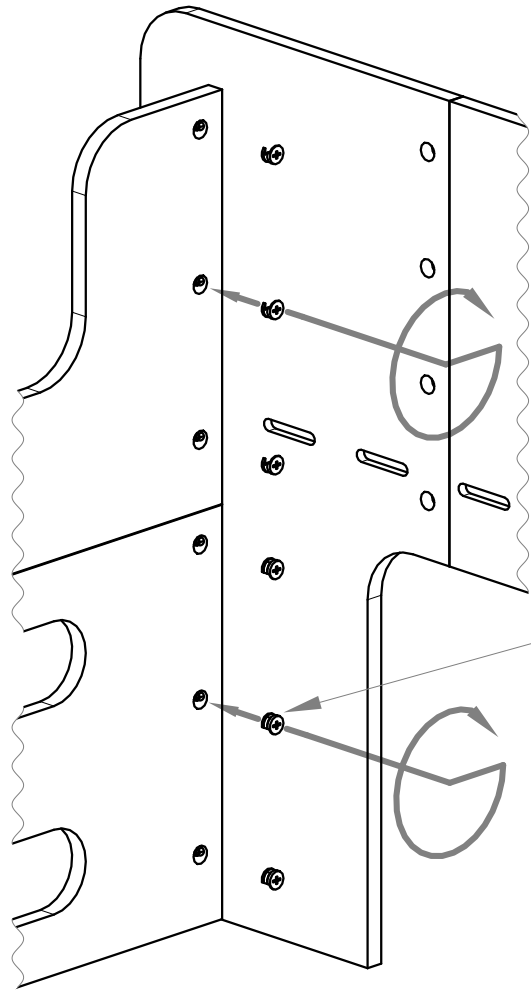
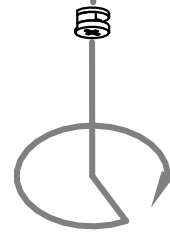
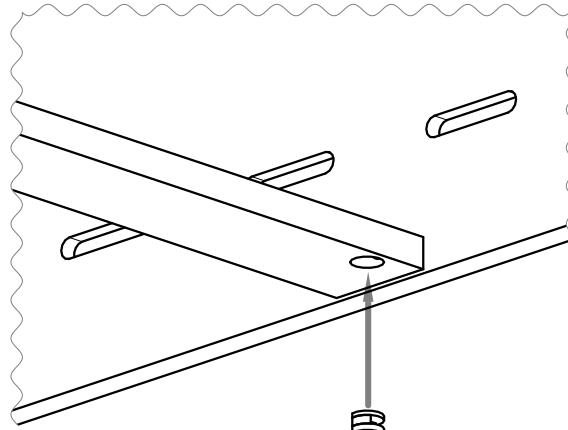
K8 M8X35

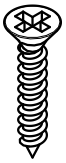






Mi



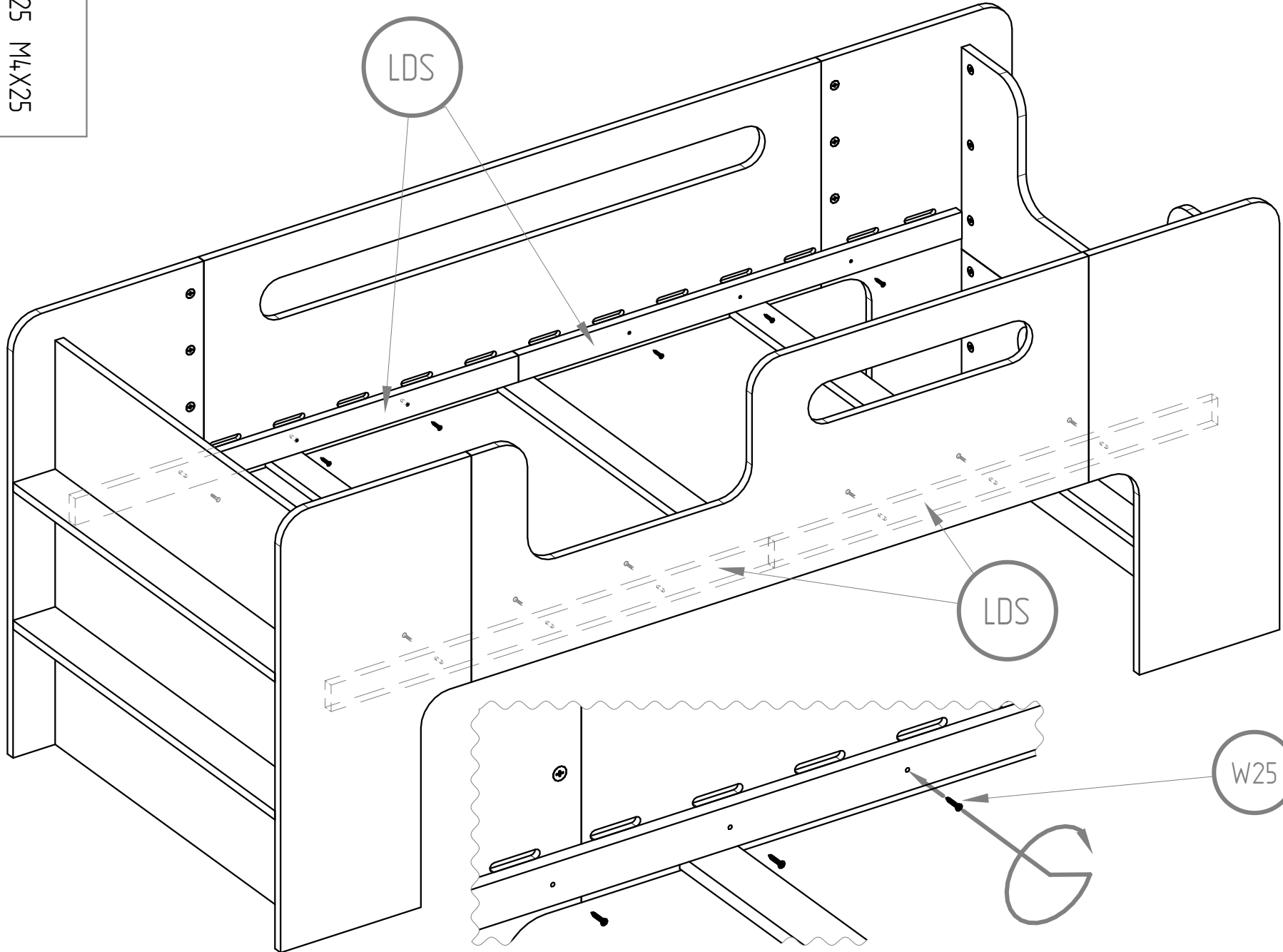


W25 M4X25

LDS

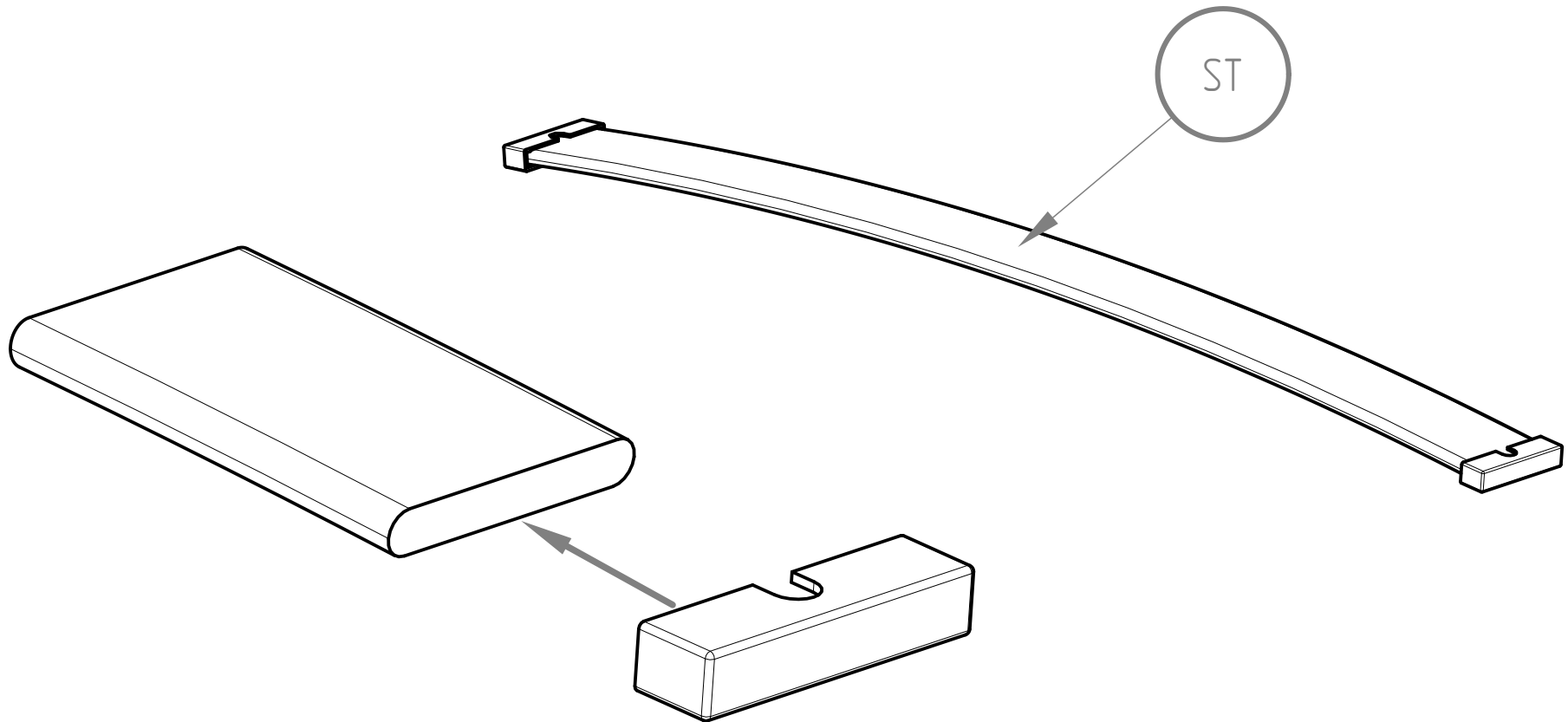
LDS

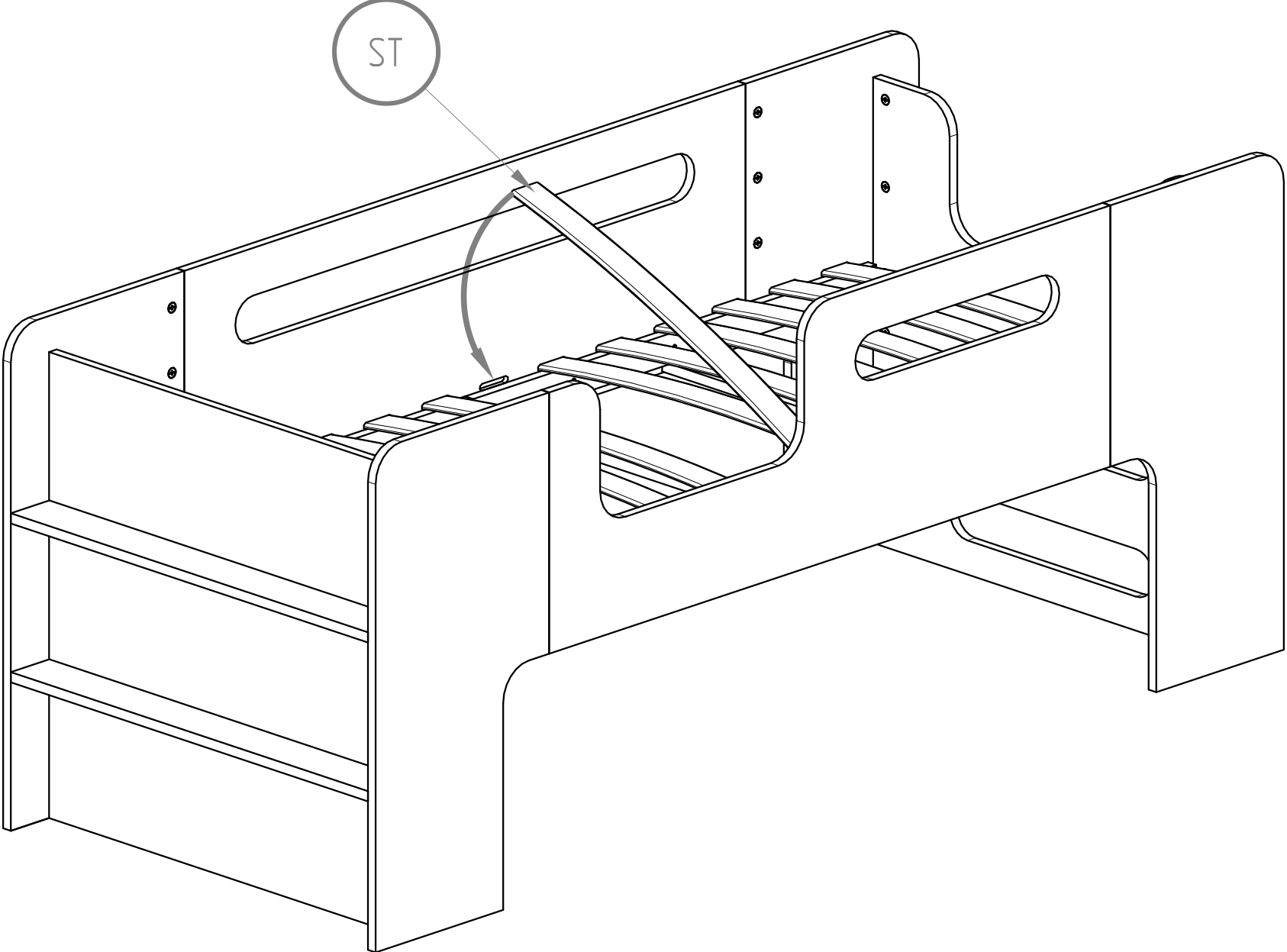
W25



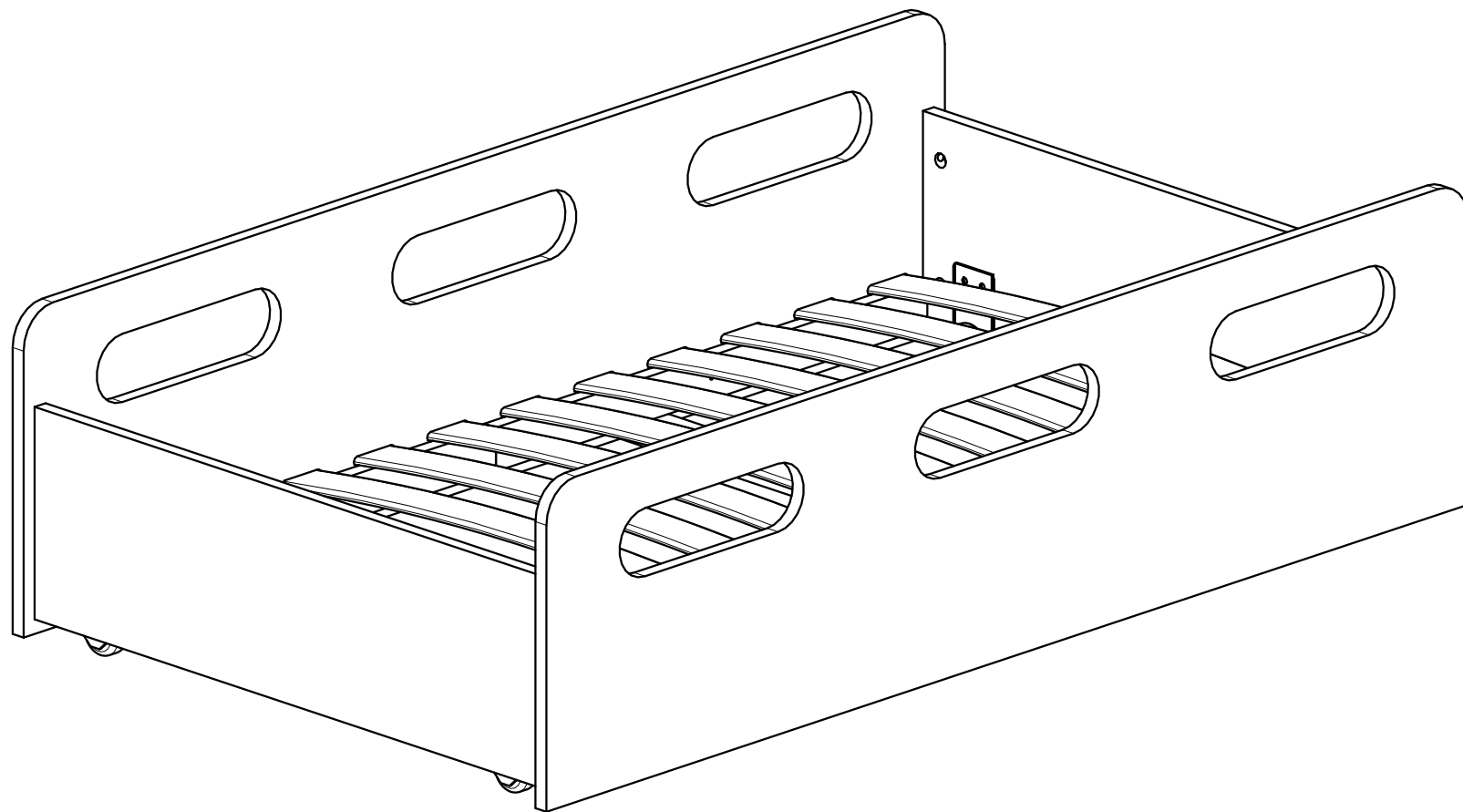
Important!

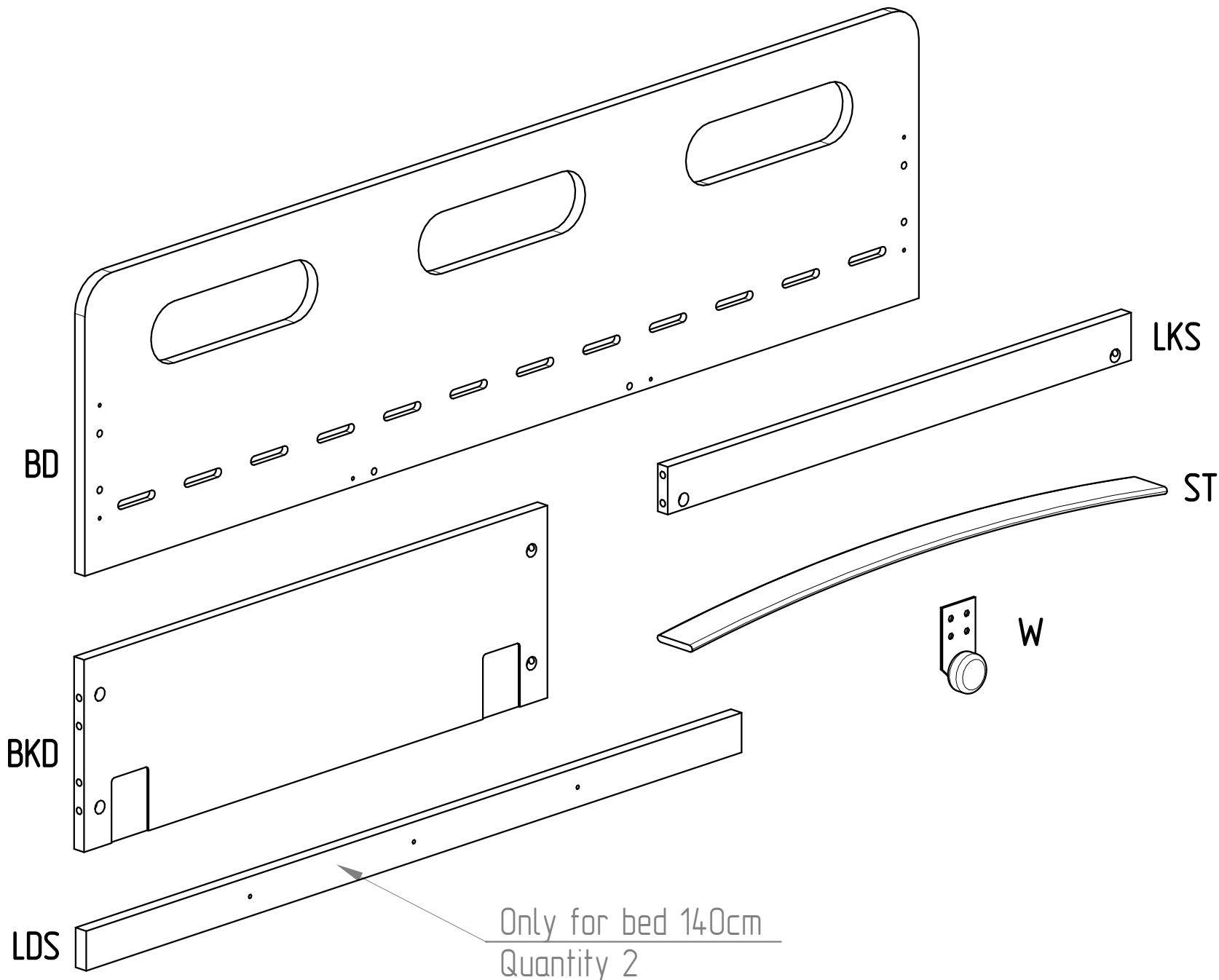
Install the plastic caps before assembling the ST spring slats to the bed frame.



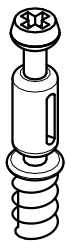


DRAWER





PIPI	
BD	x2
BKD	x2
LDS	x2/x4
LKS	x2
ST	x10-14
W	x4



TRZ M5X35



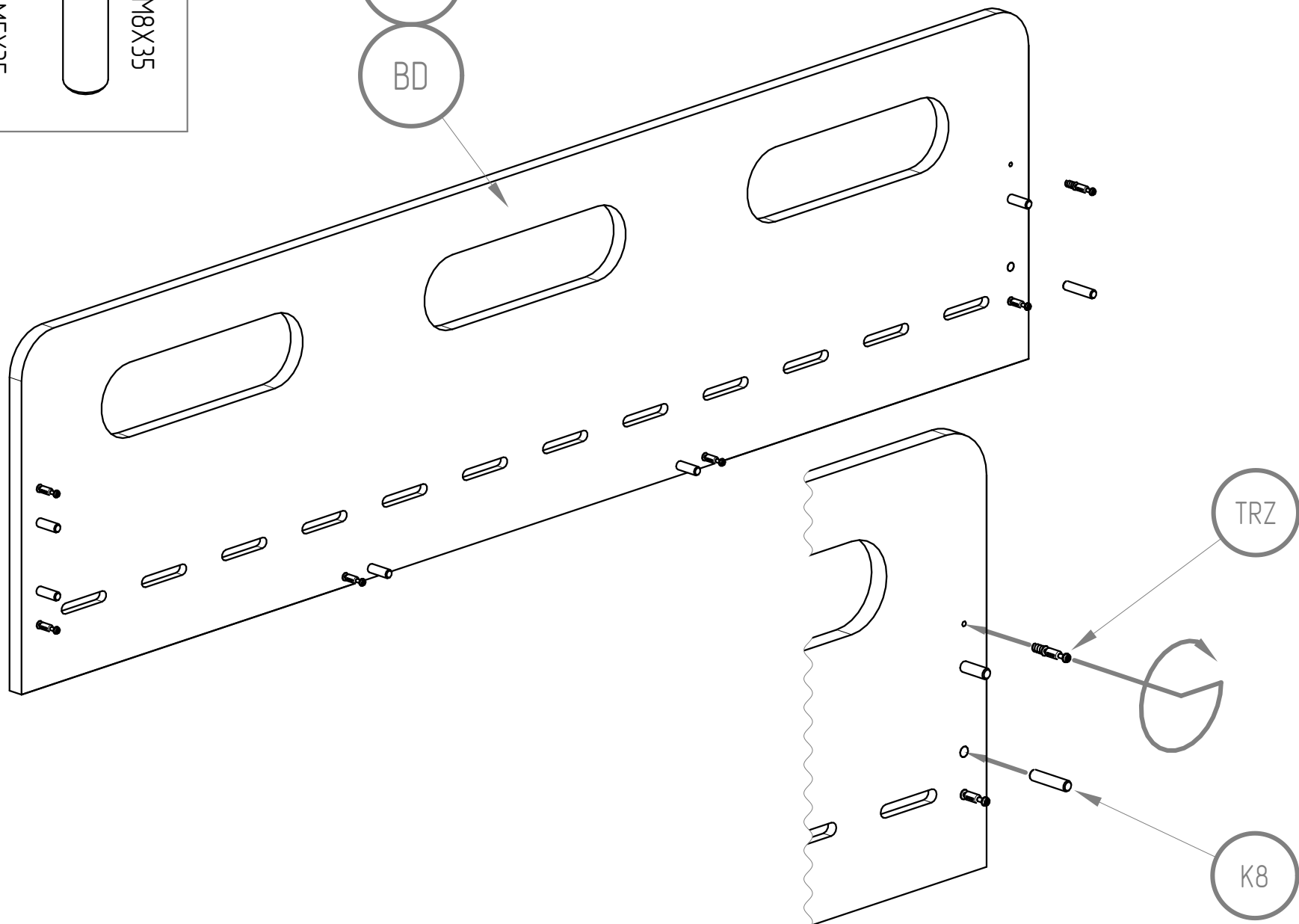
K8 M8X35



x2

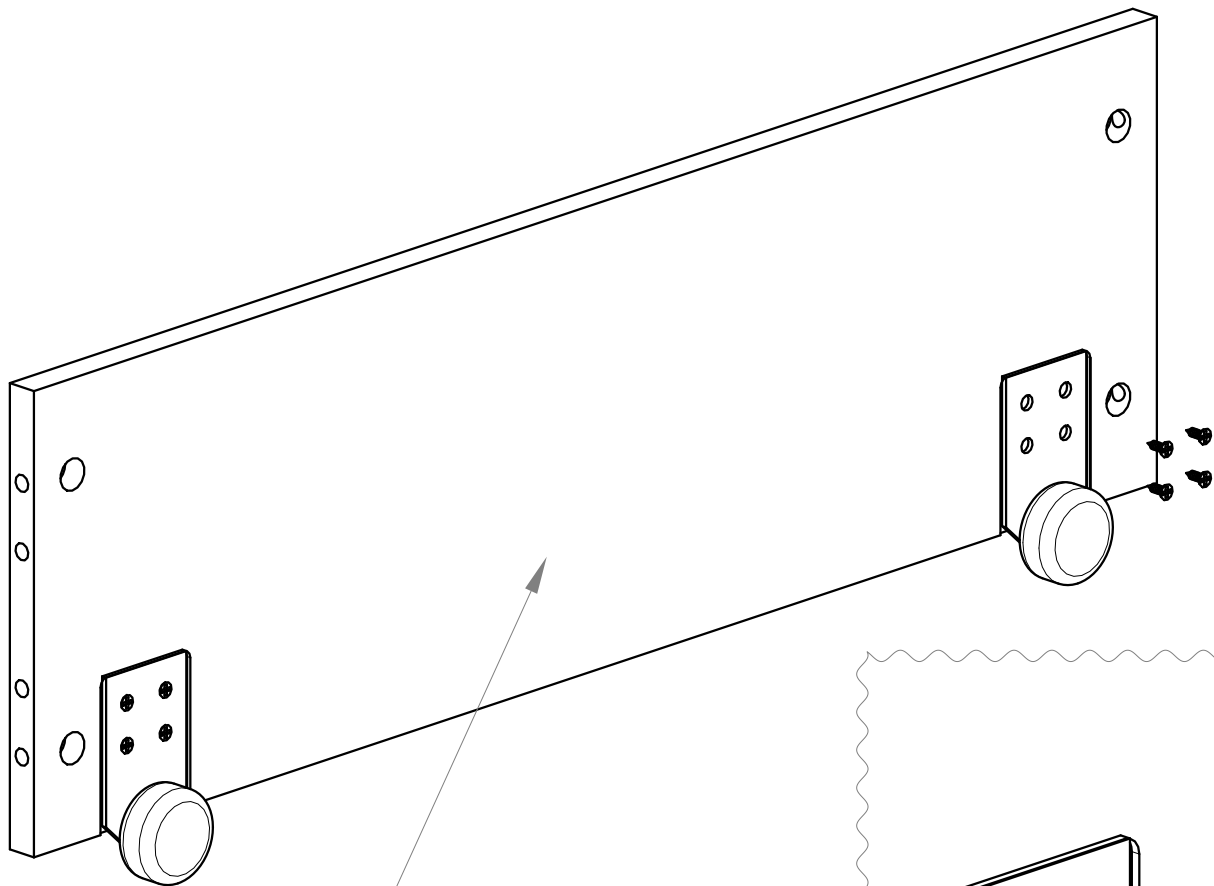


BD

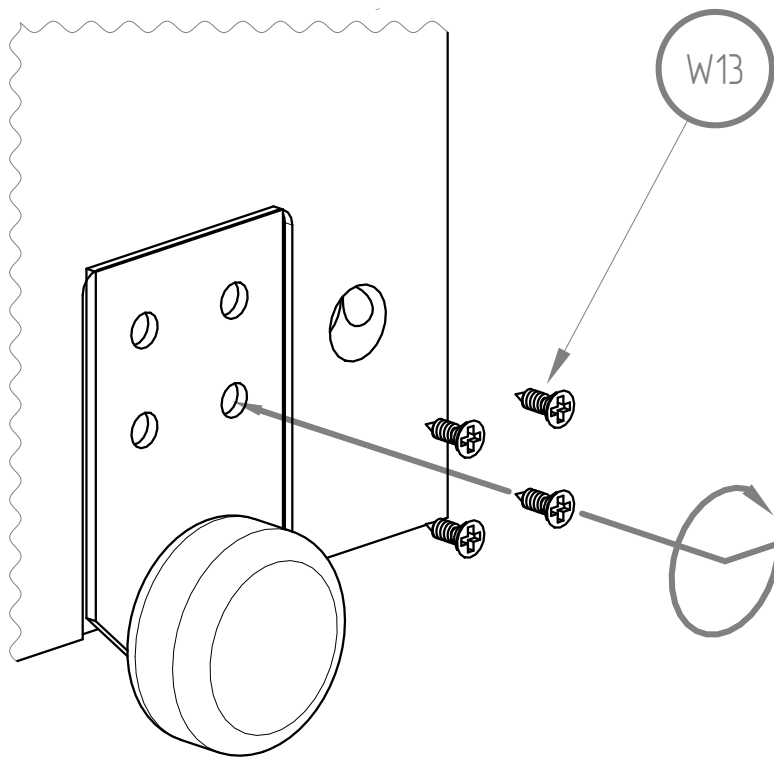




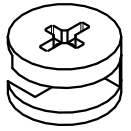
W13 M4X13



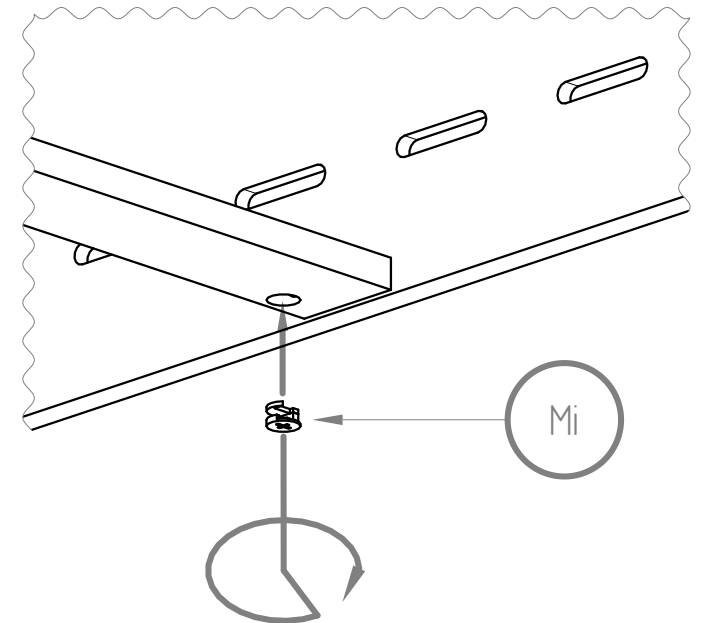
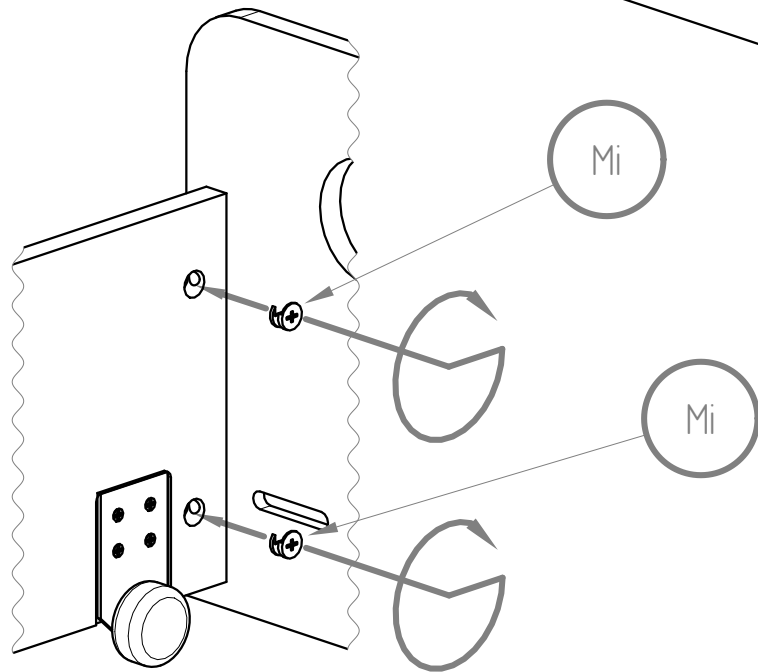
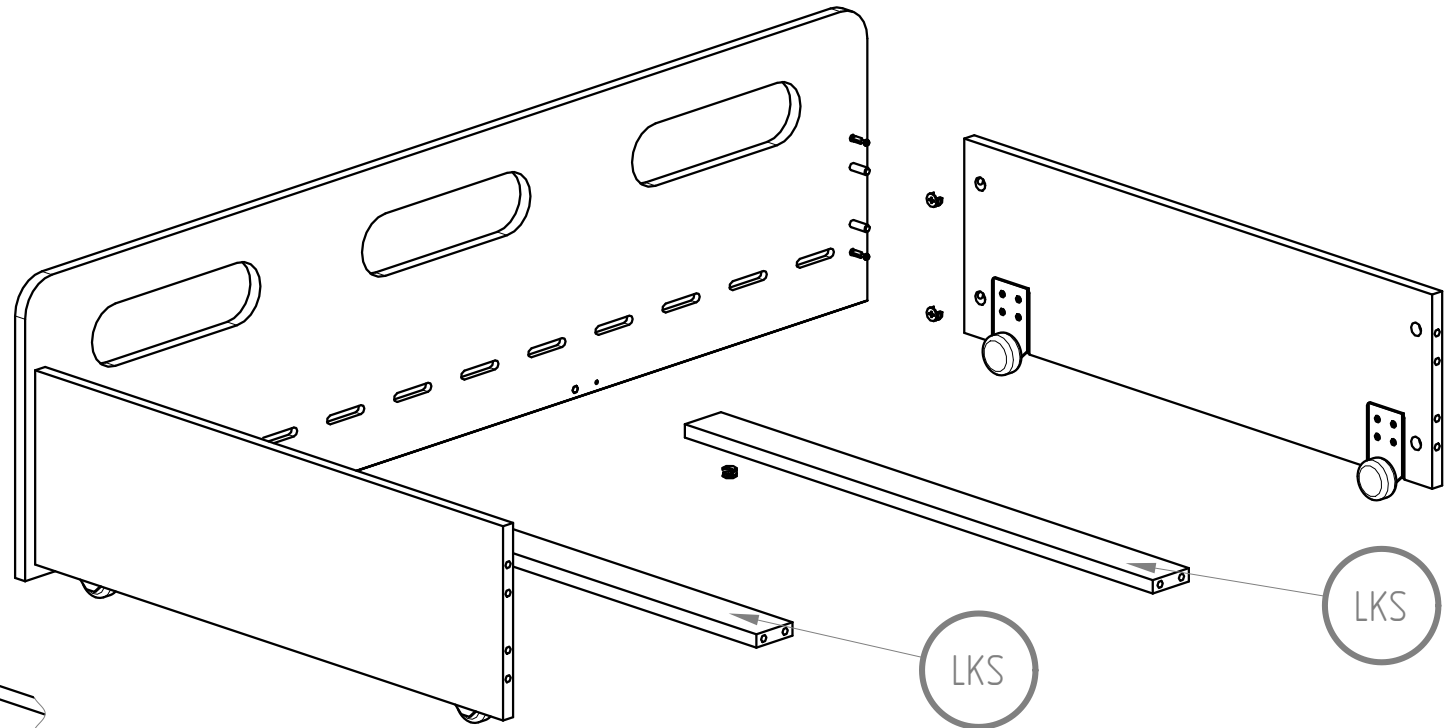
BKD
x2

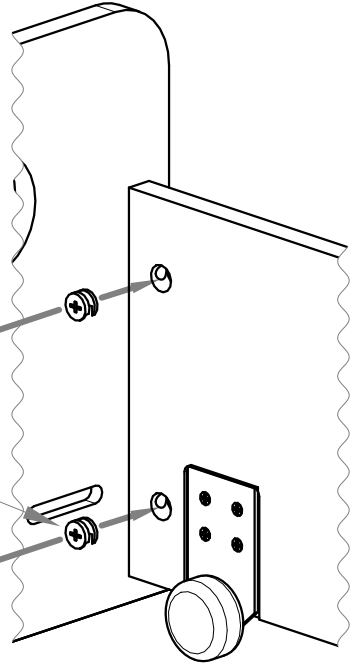
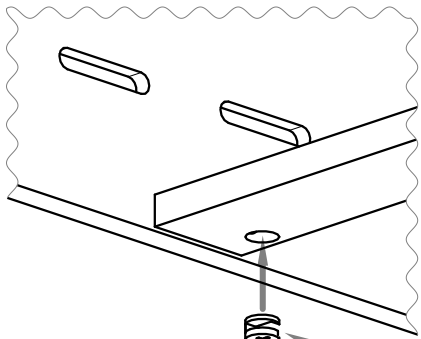
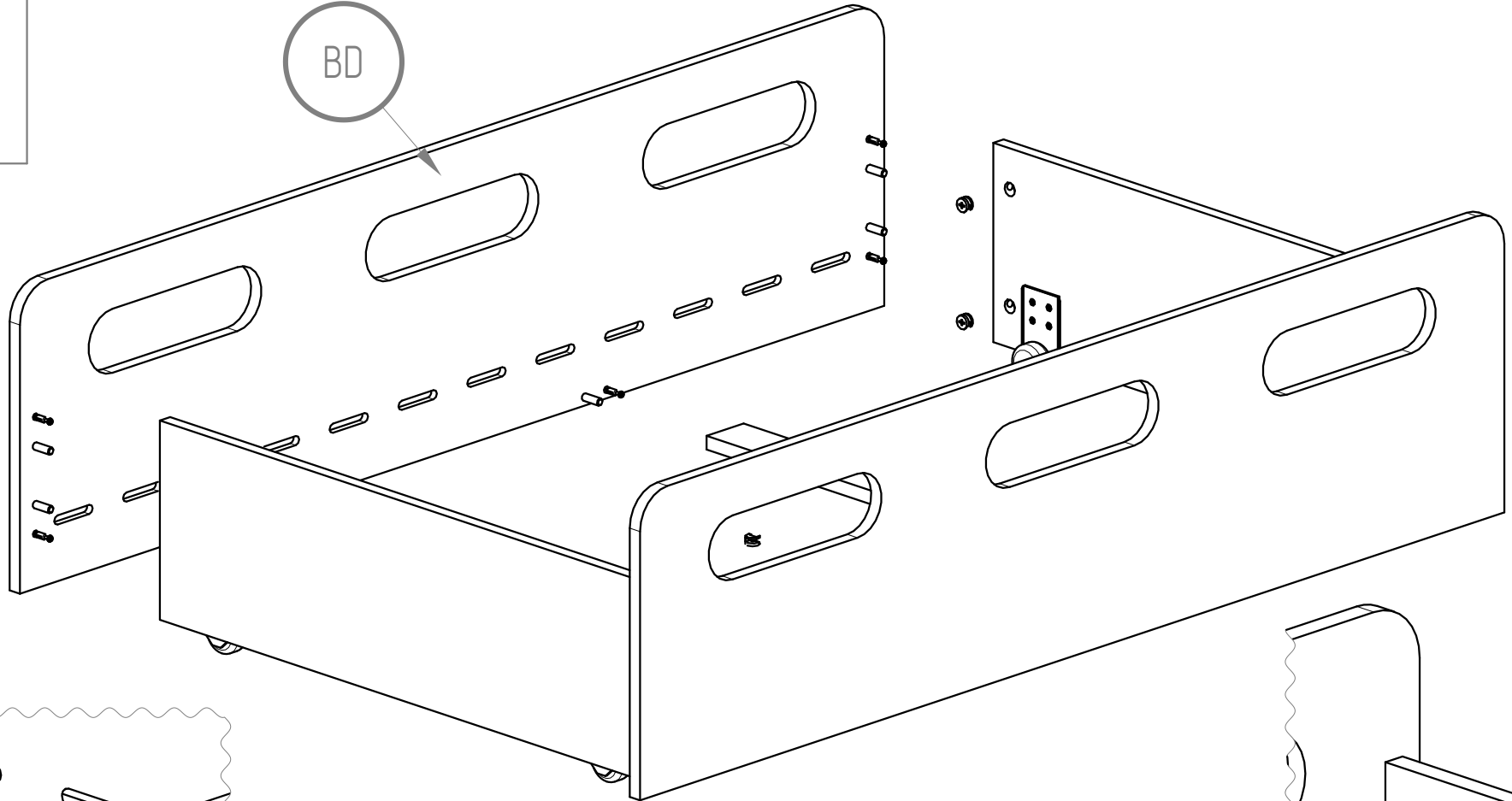


W13



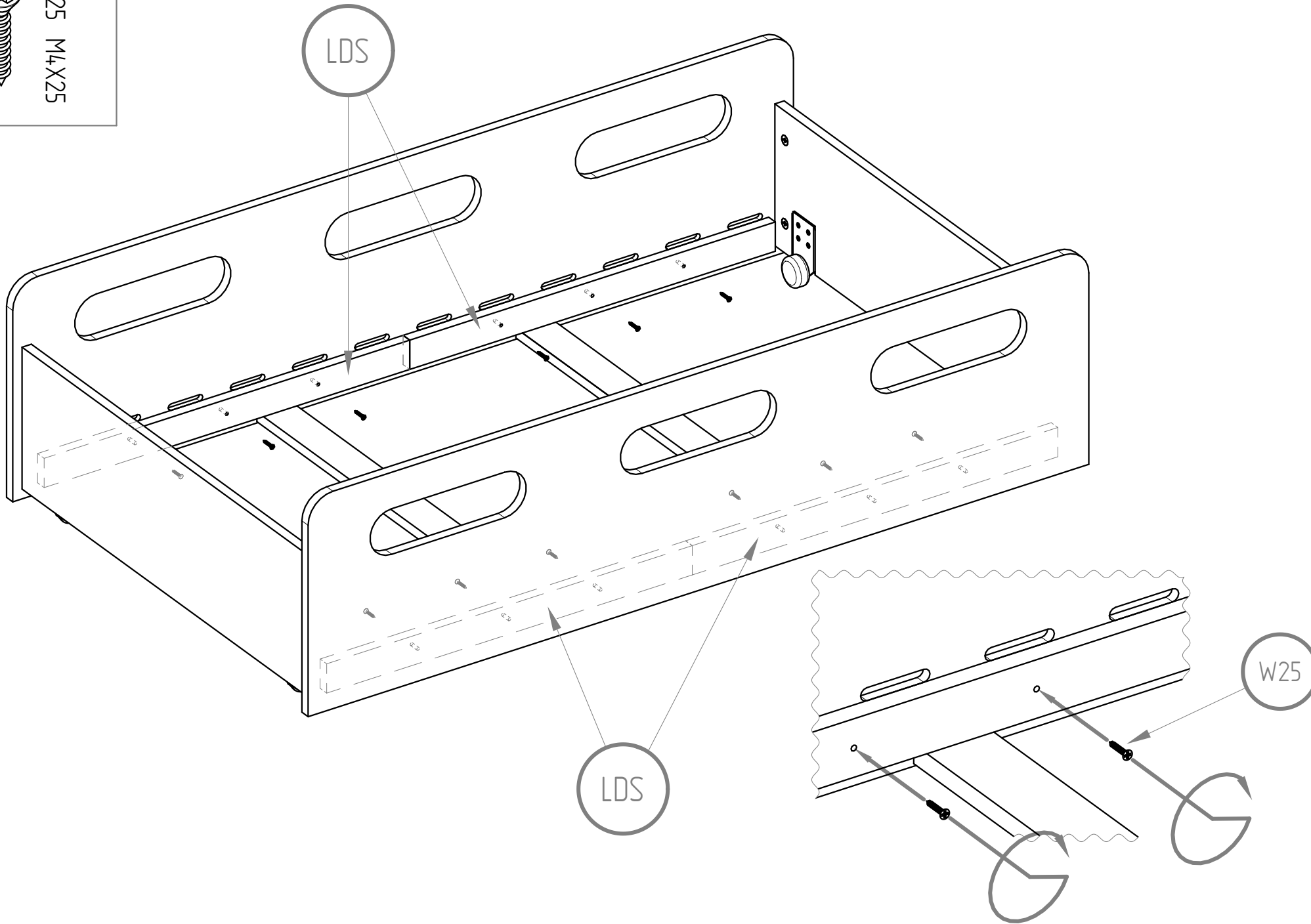
Mi





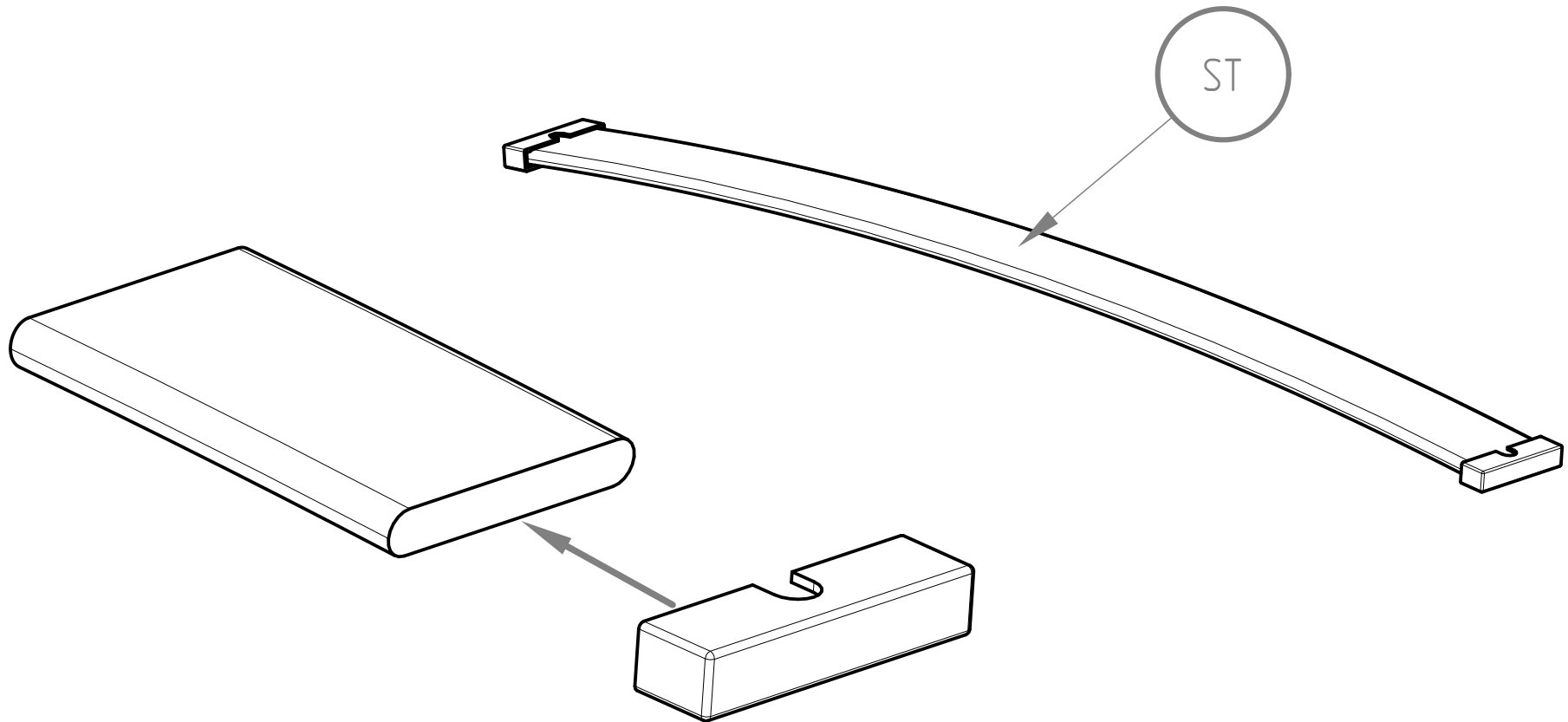


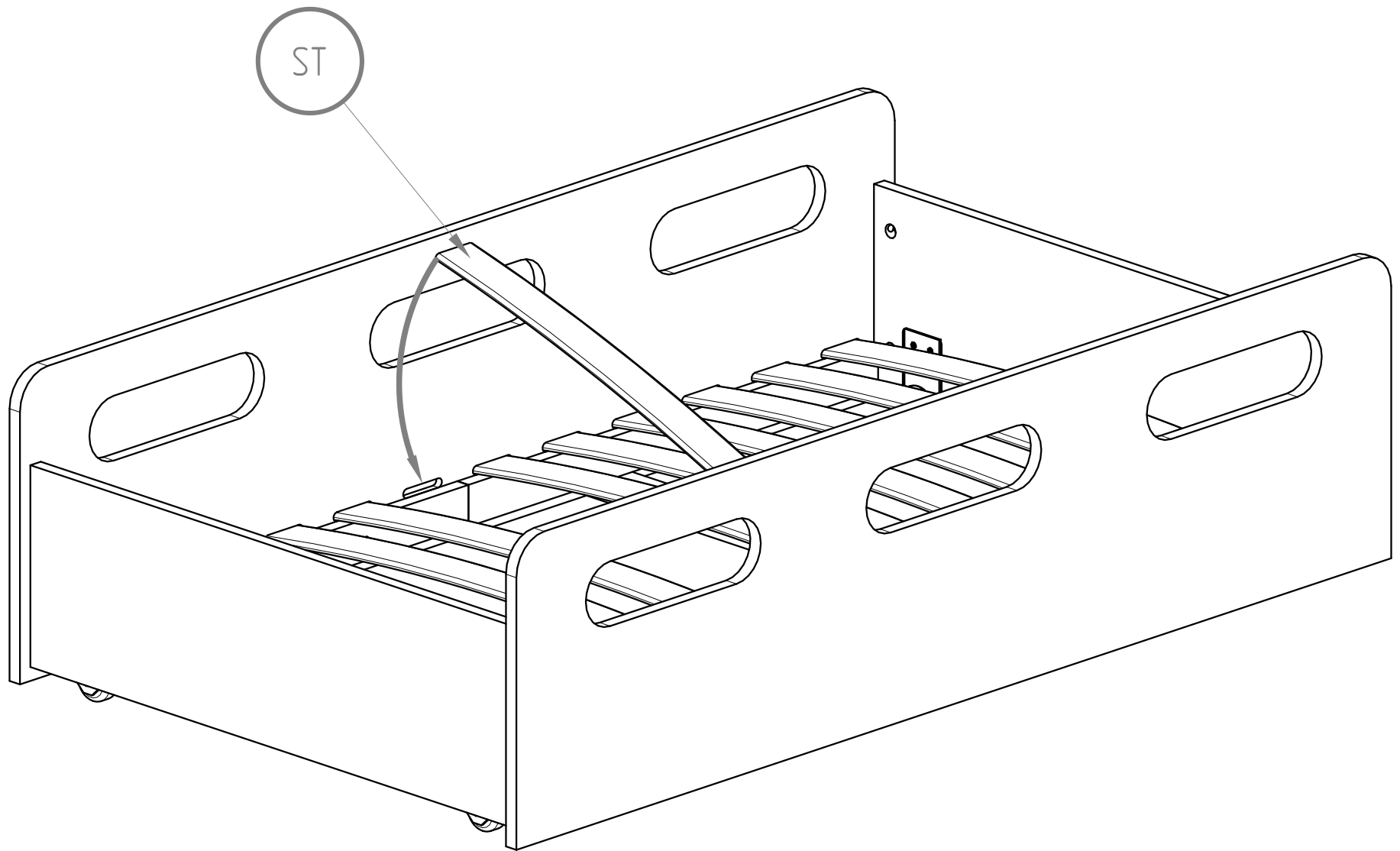
W25 M4X25



Important!

Install the plastic caps before assembling the ST spring slats to the bed frame.





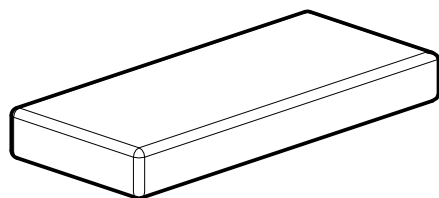


Beds are for sleeping,
not for jumping

Prohibit more than
one person on bed



IMPORTANT



Use only mattresses
with thickness of 8–12 cm



Bed parts have 2 years
warranty in normal use

Wooden parts should be cleaned with a dry cloth and ordinary
mild detergents for the care and cleaning of wooden parts