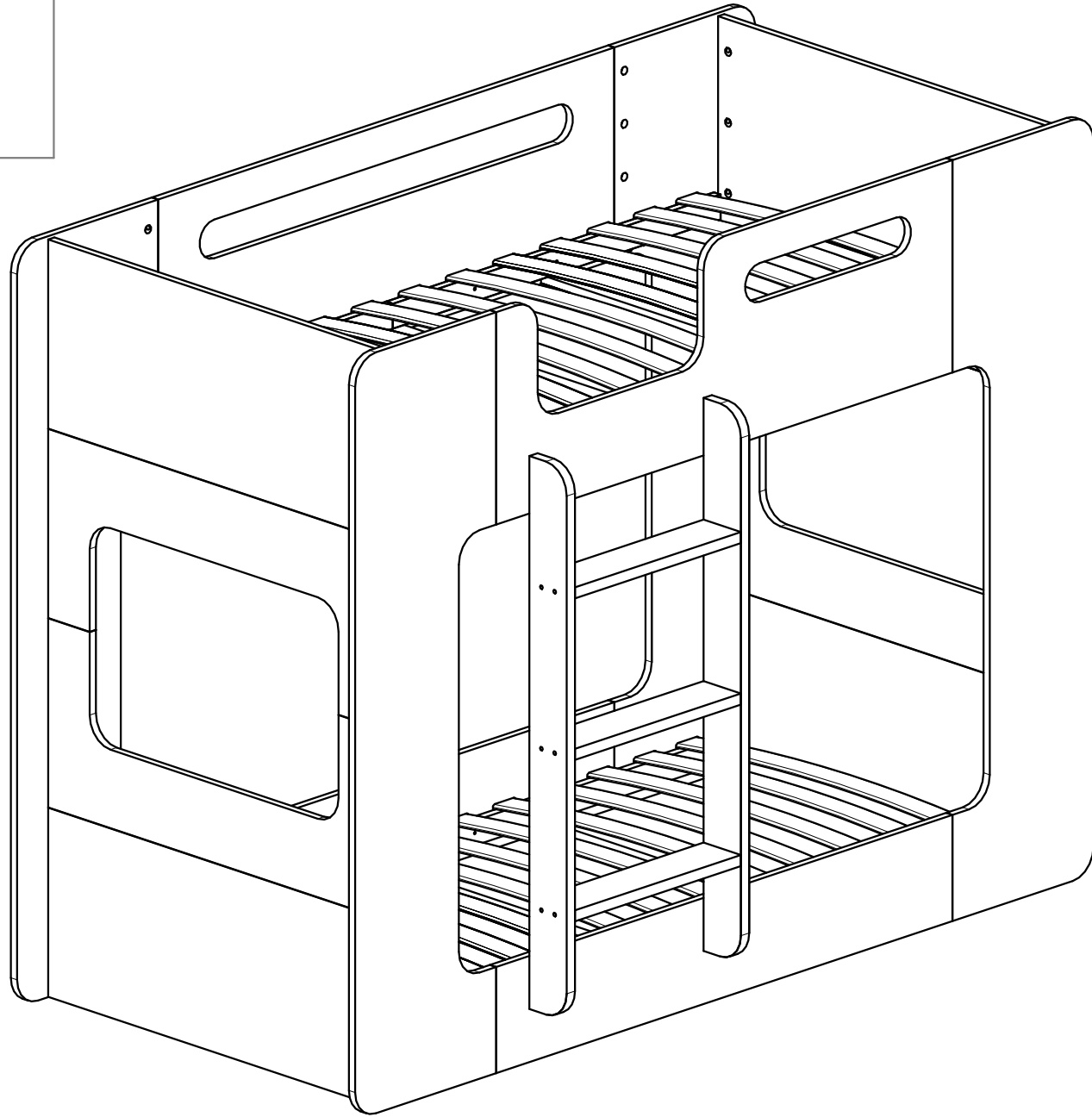
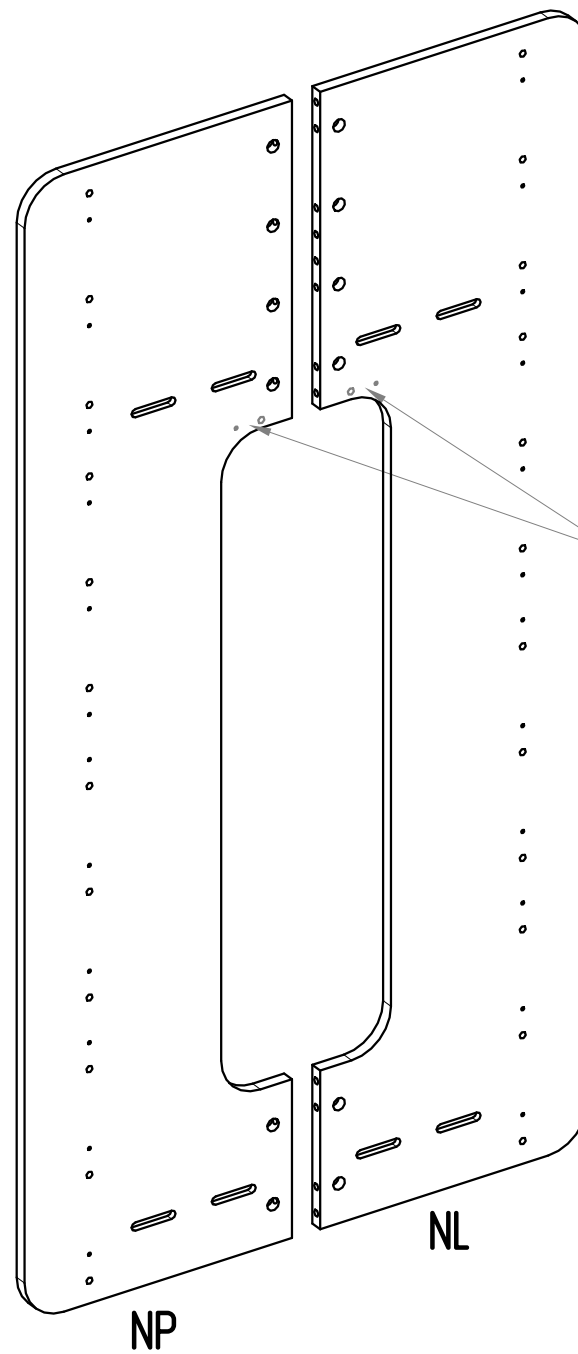
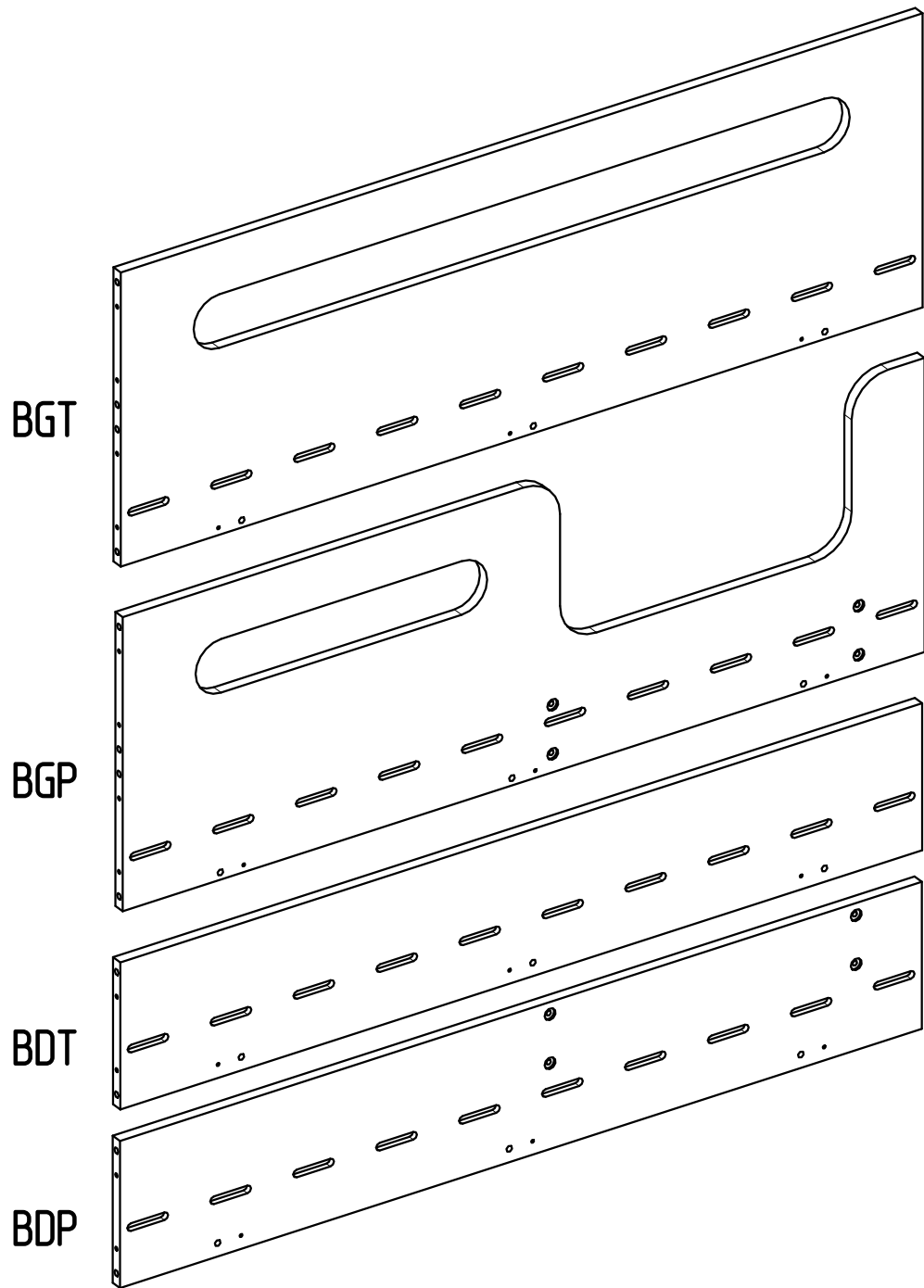


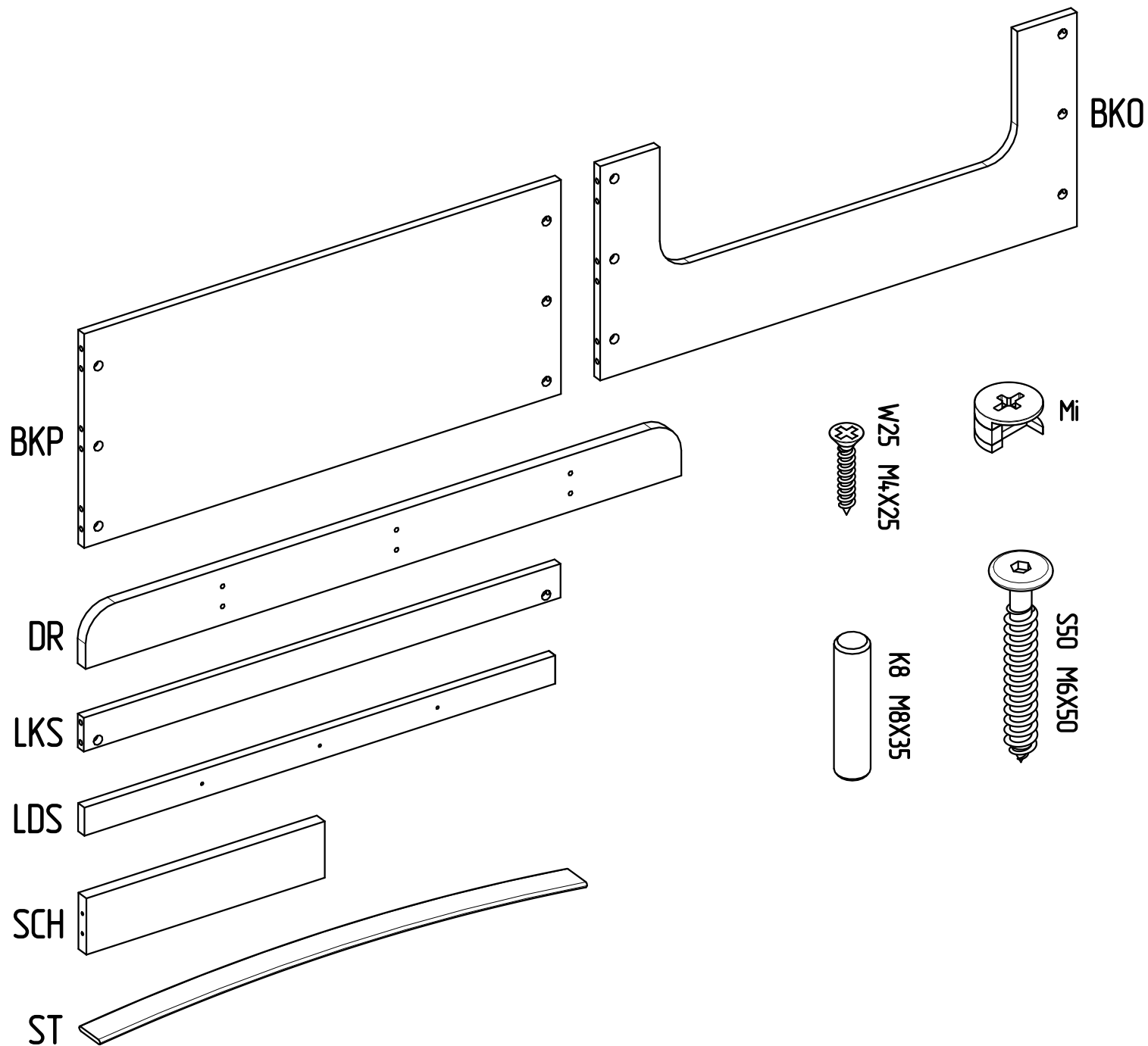
# MIMI





### MIMI

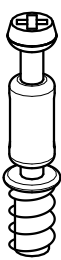
BGT	x1
BGP	x1
BDT	x1
BDP	x1
NP	x2
NL	x2



SCREWS	
Mi	x84
TRZ	x84
K8	x84
S50	x20
W25	x24

MIMI	
BKP	x4
BKO	x4
DR	x2
LKS*	x6/x8
LDS	x8
SCH	x3
ST	x24-32

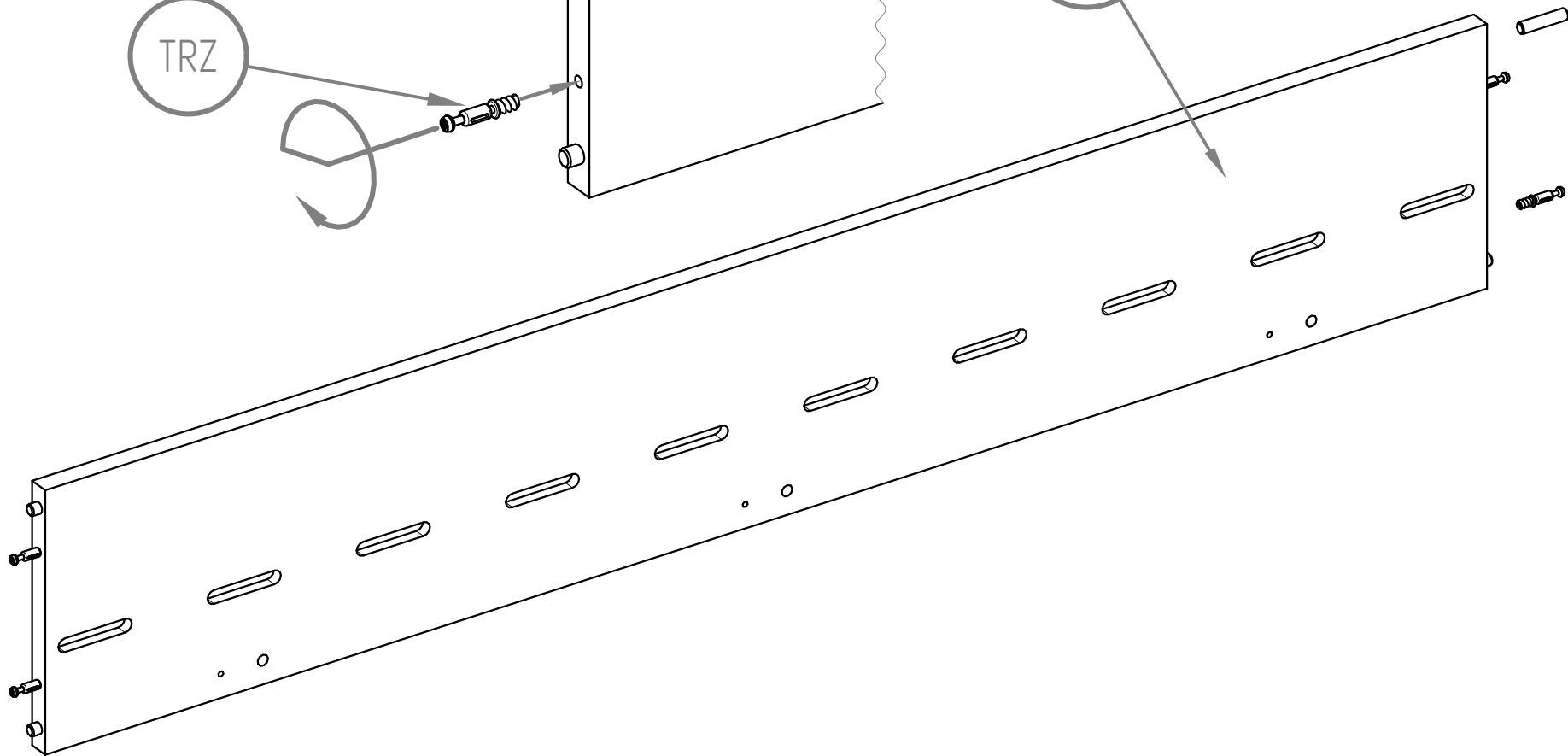
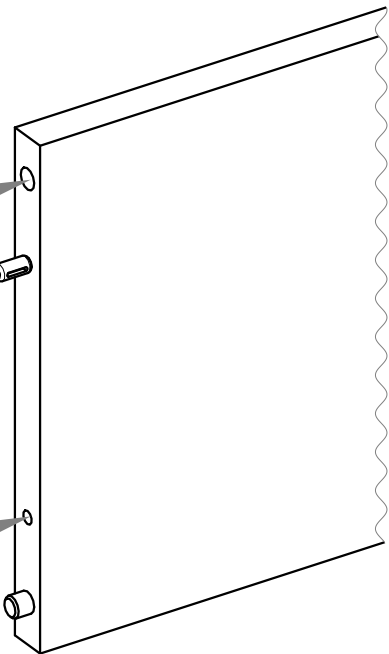
\*8x LKS - only for size 100

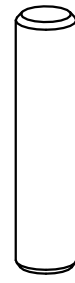


TRZ M5x35

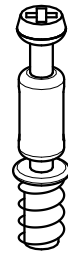


K8 M8x35





K8  
M8x35

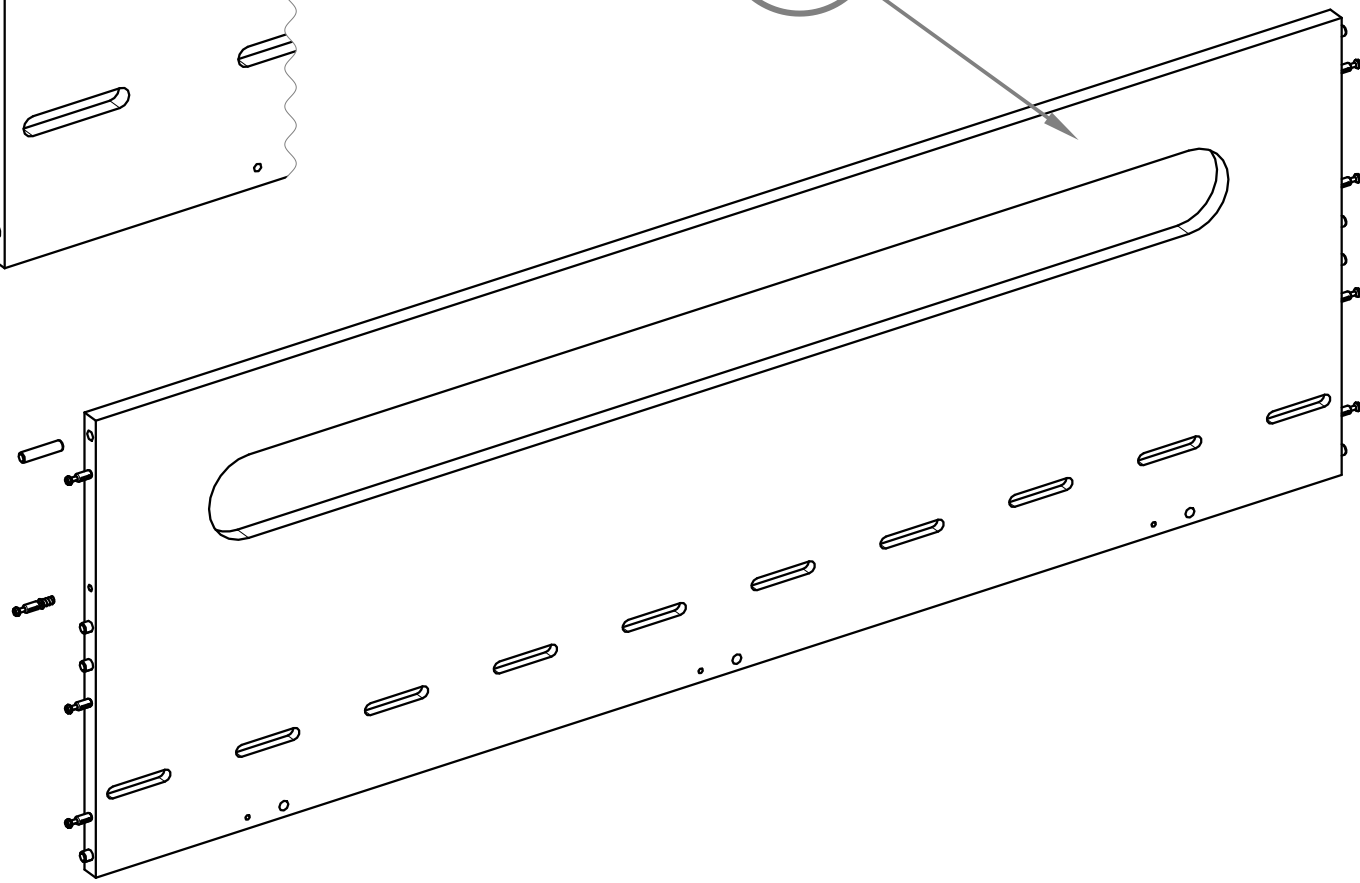
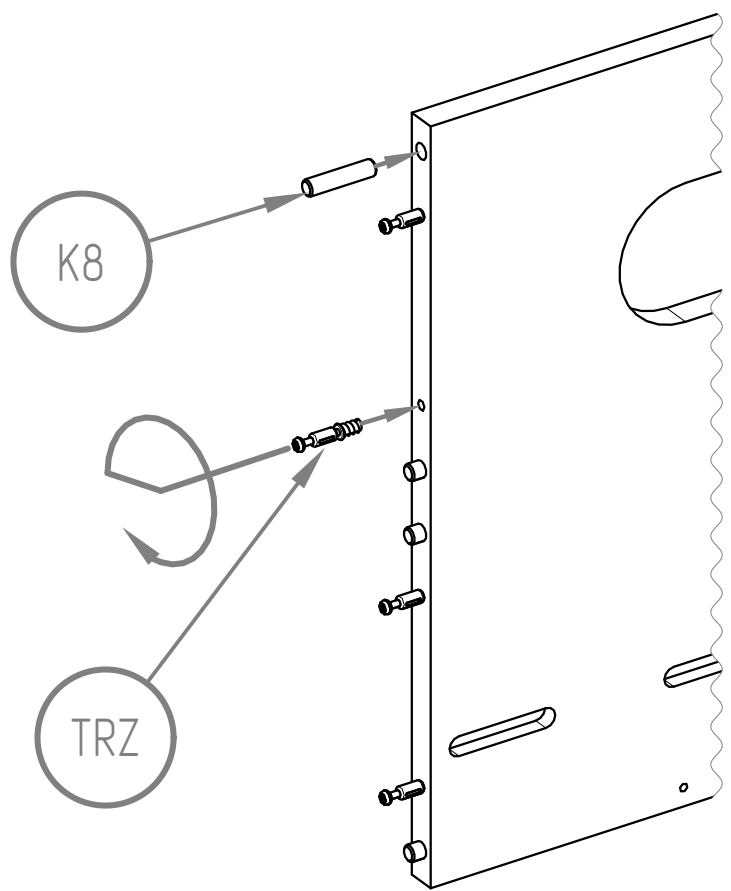


TRZ  
M5x35

K8

TRZ

BGT





Mi

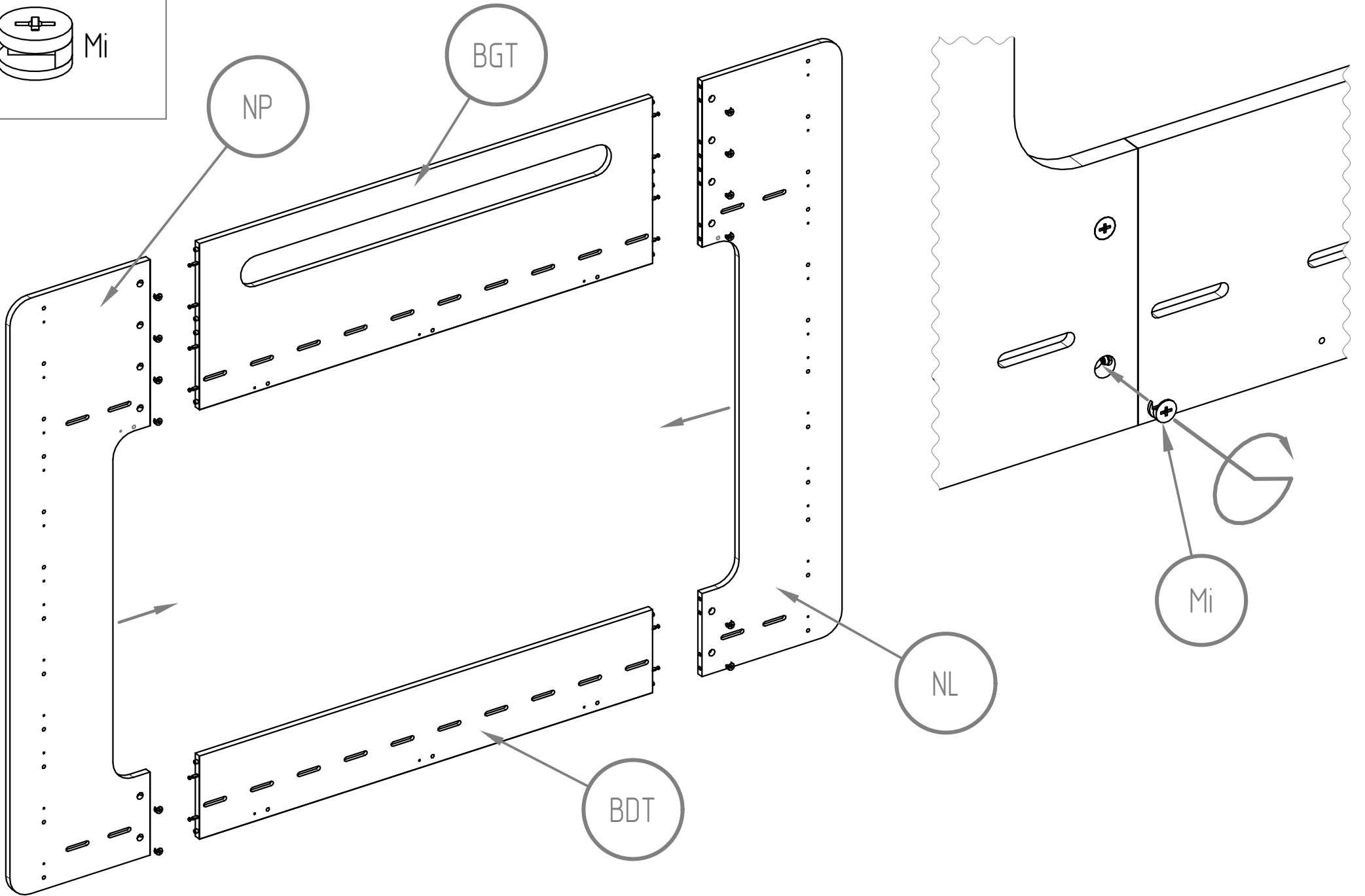
NP

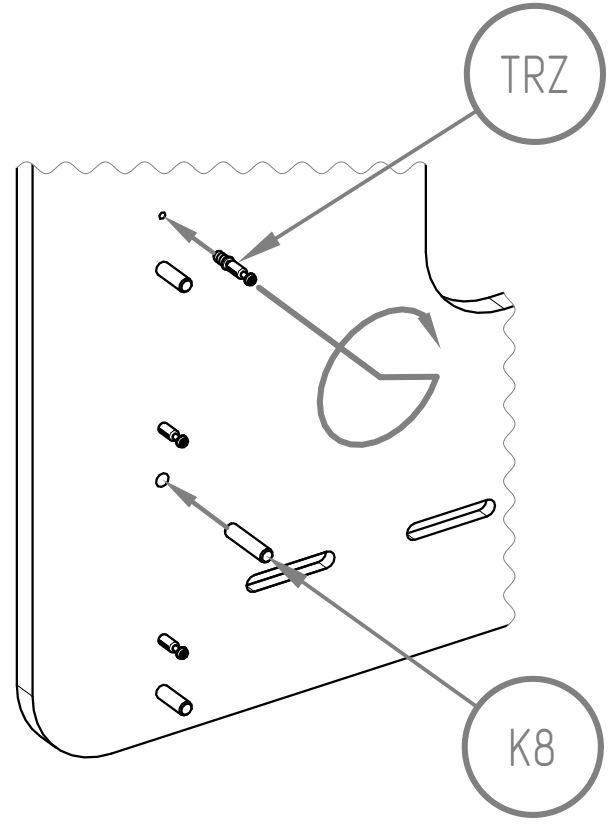
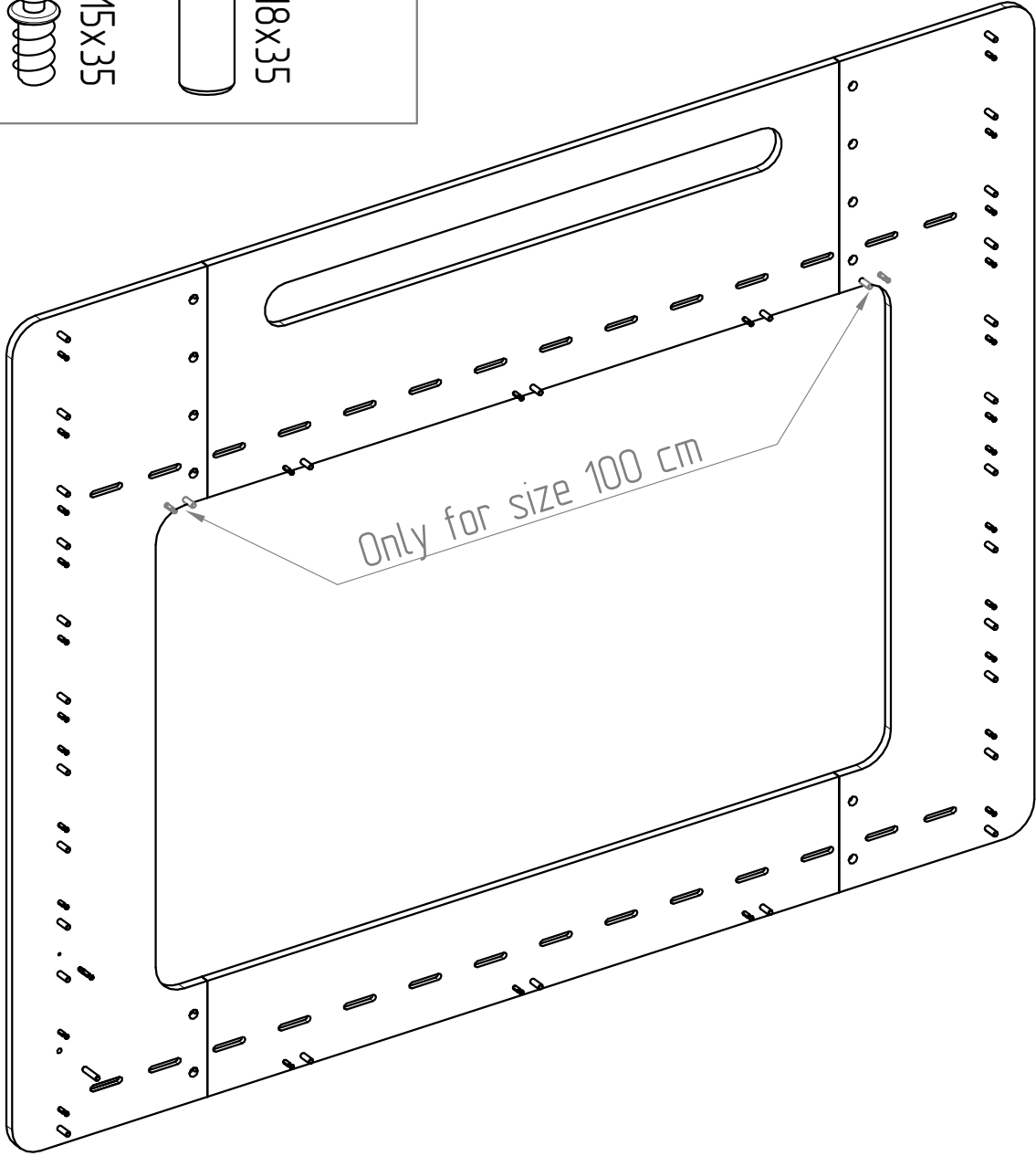
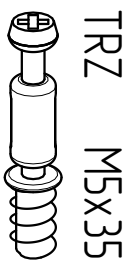
BGT

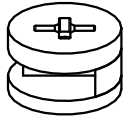
BDT

NL

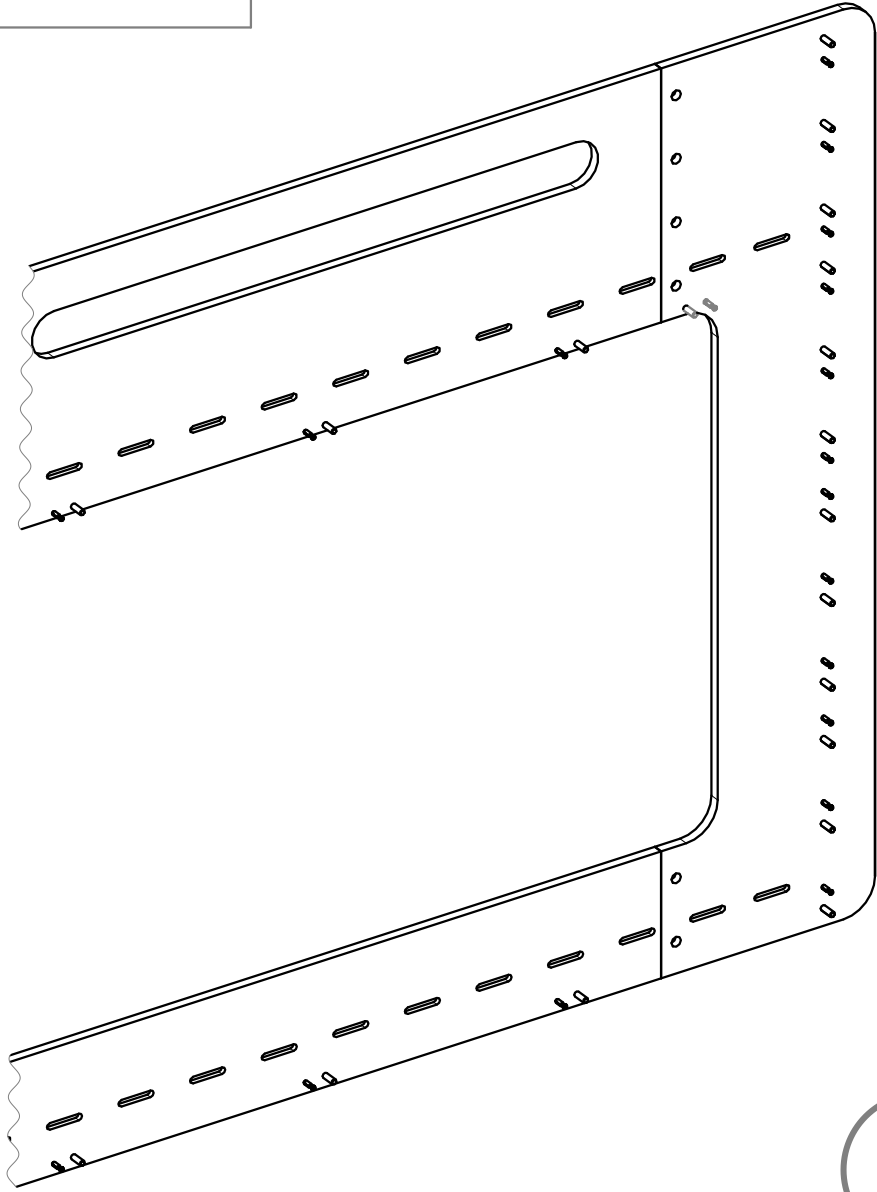
Mi







Mi

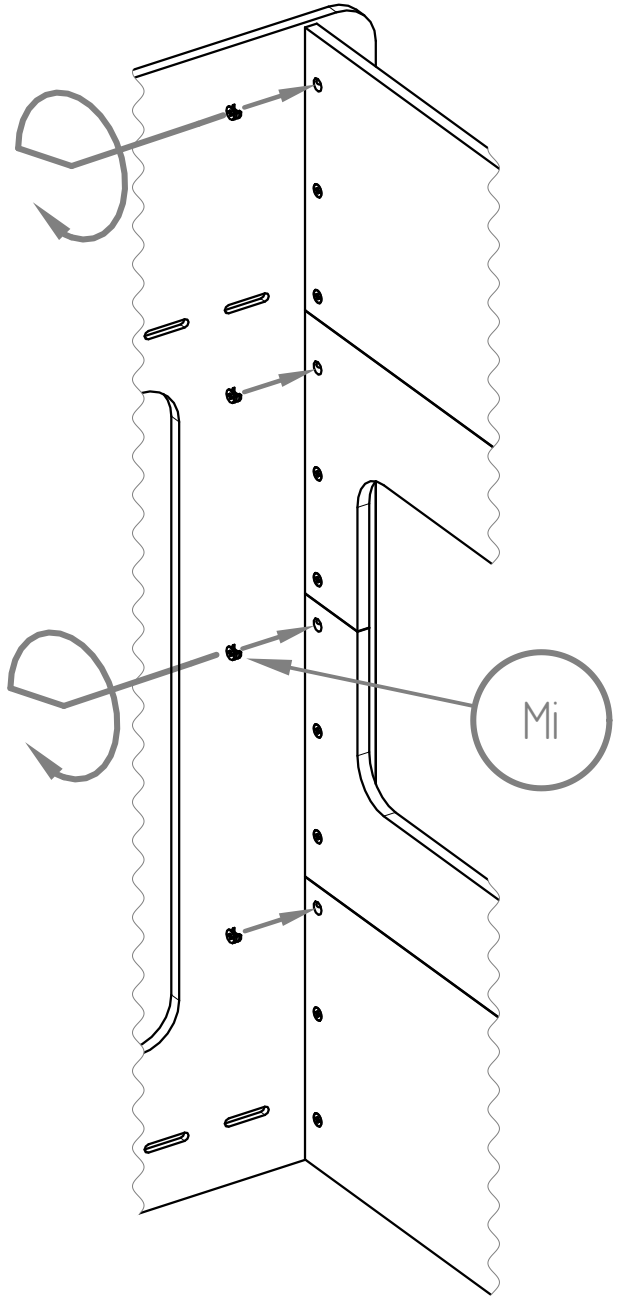


BKP

BKP

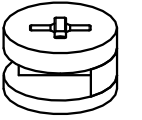
BKO

BKO

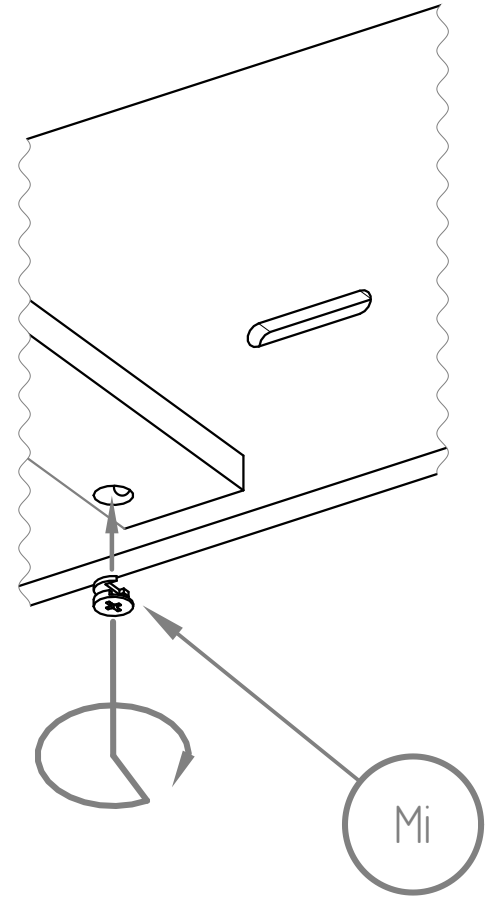
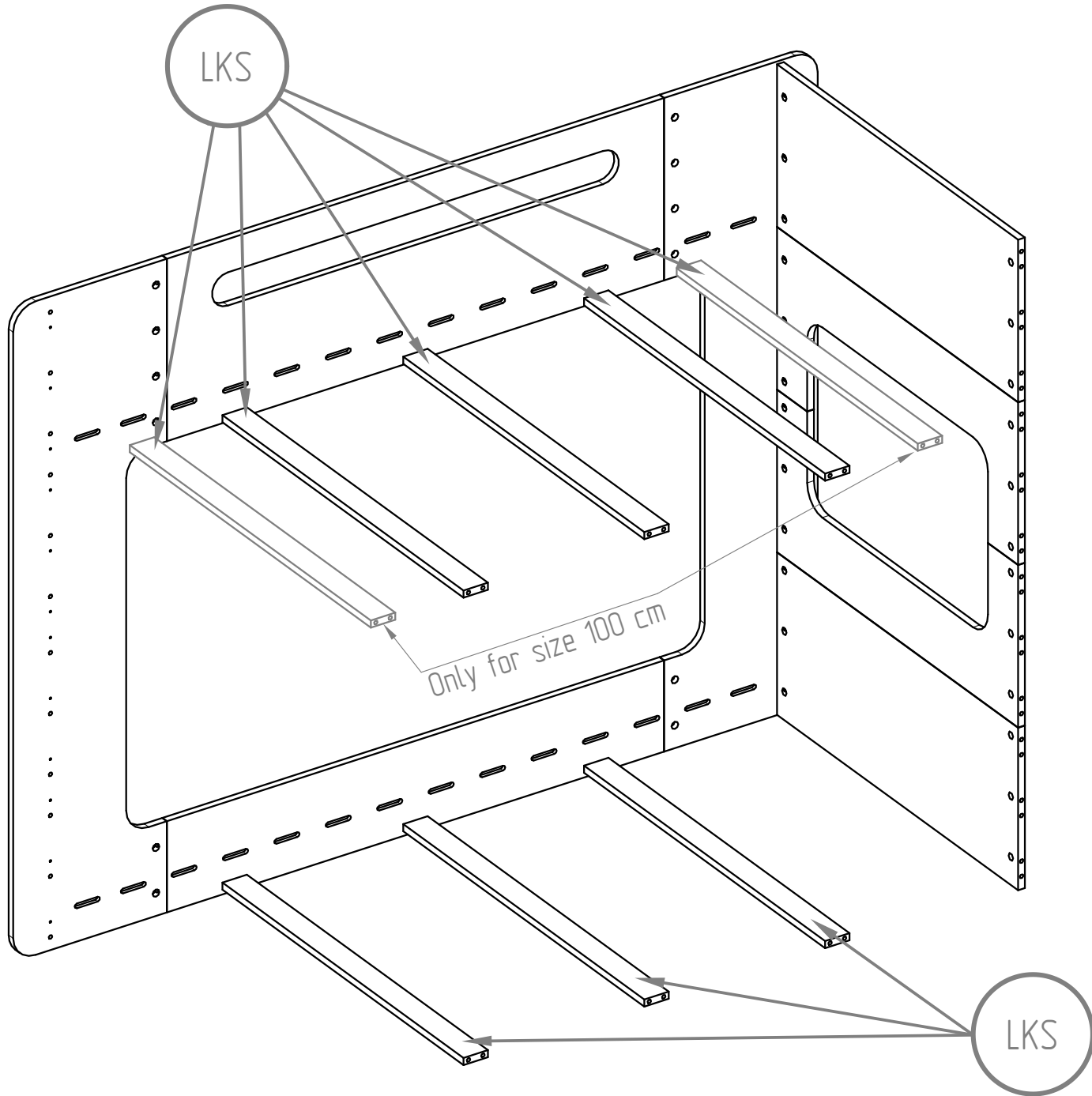


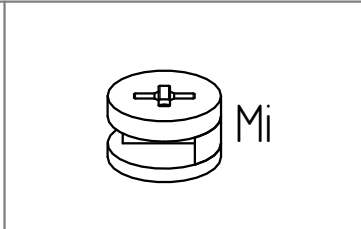
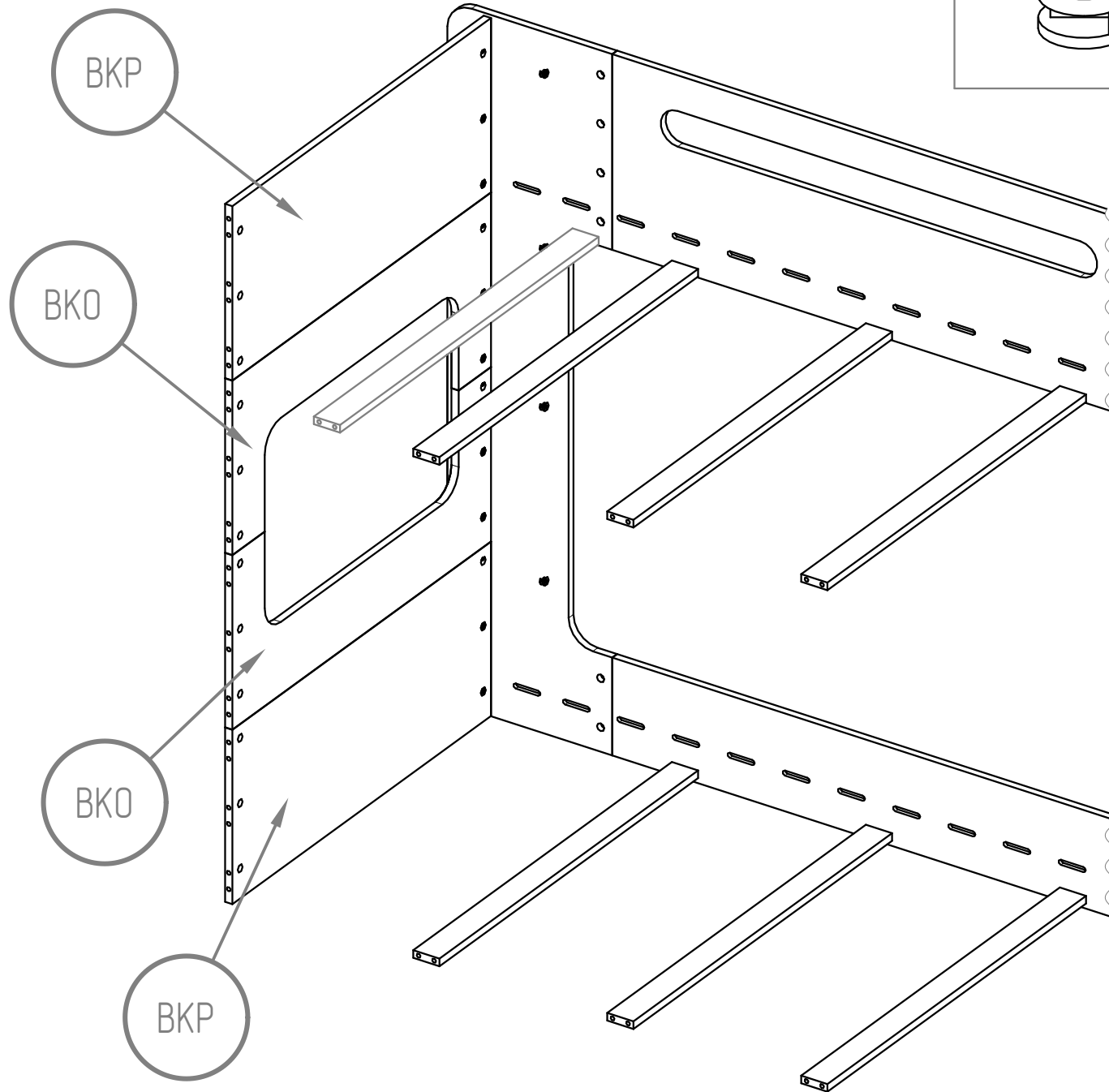
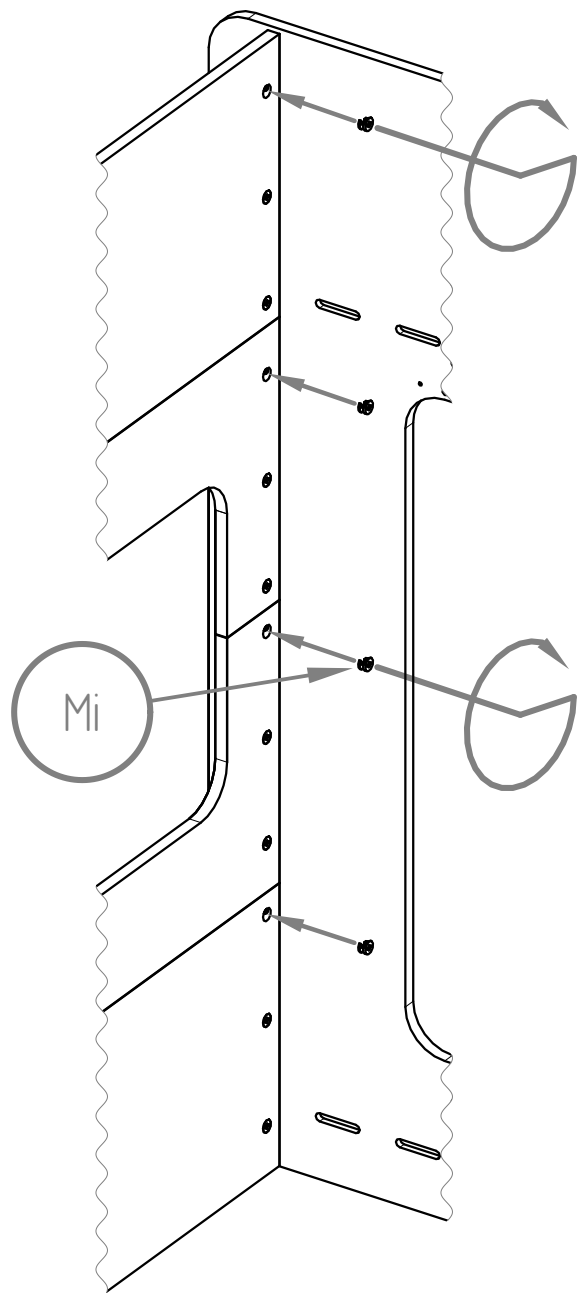
Mi

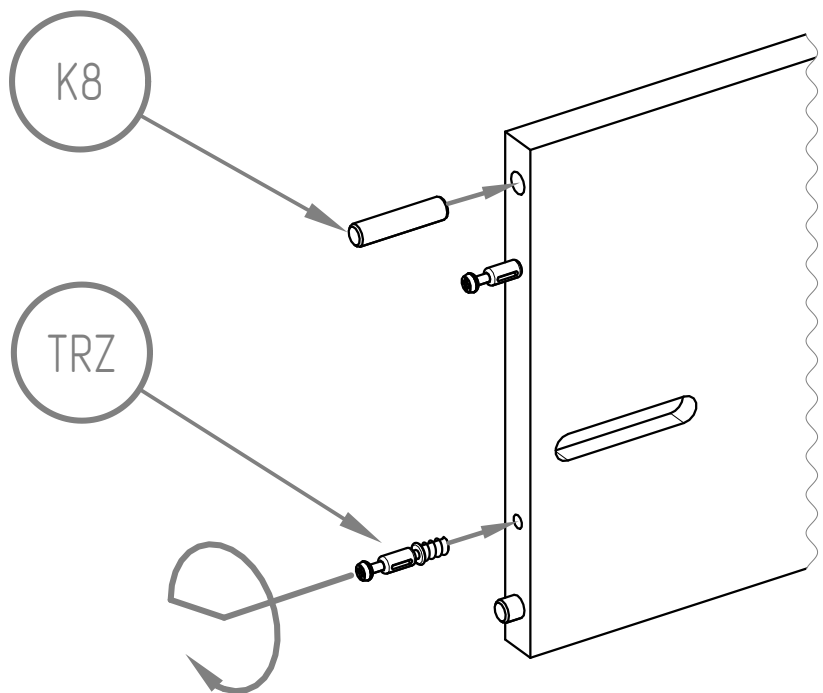




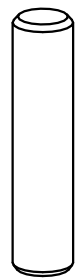
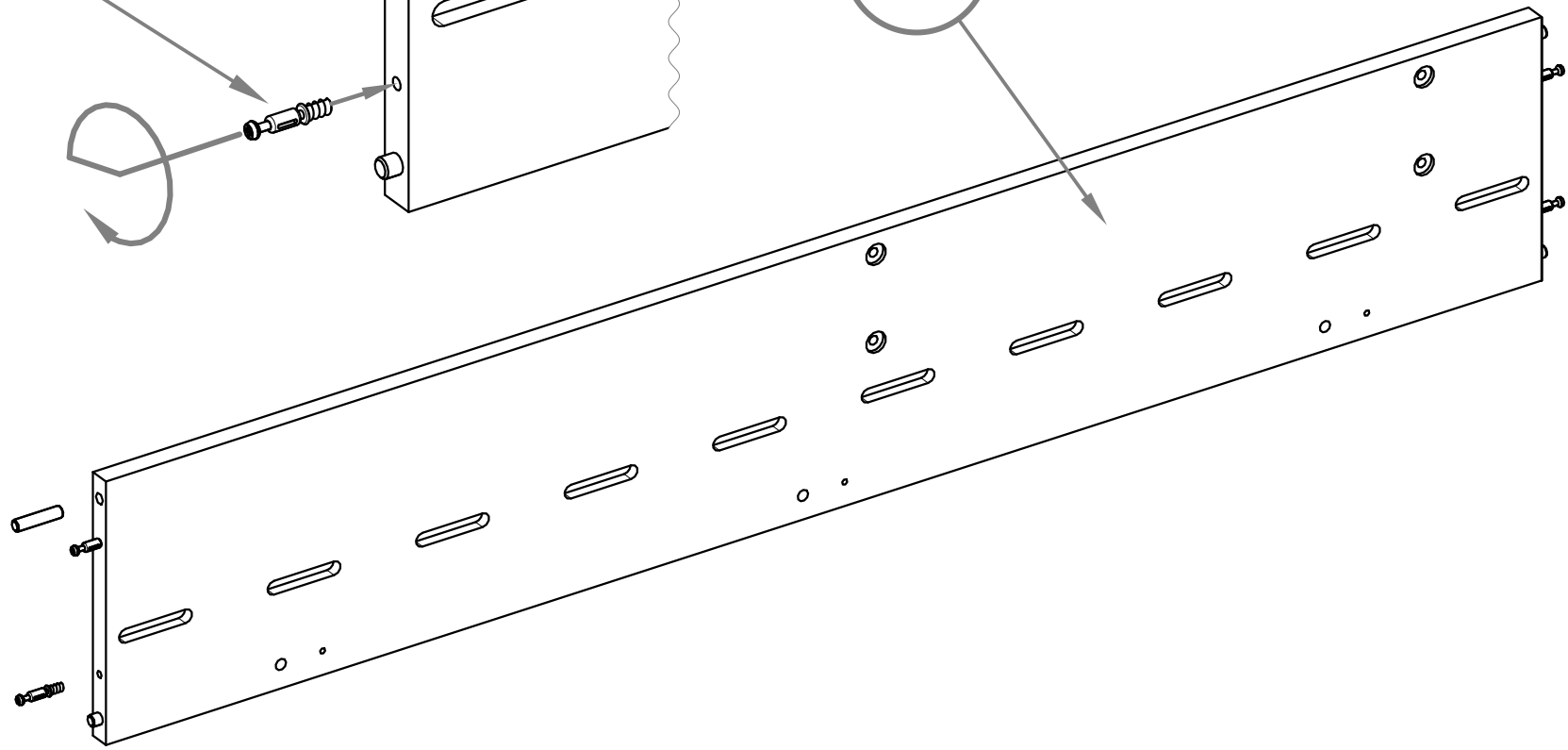
Mi



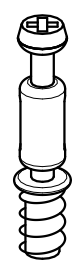




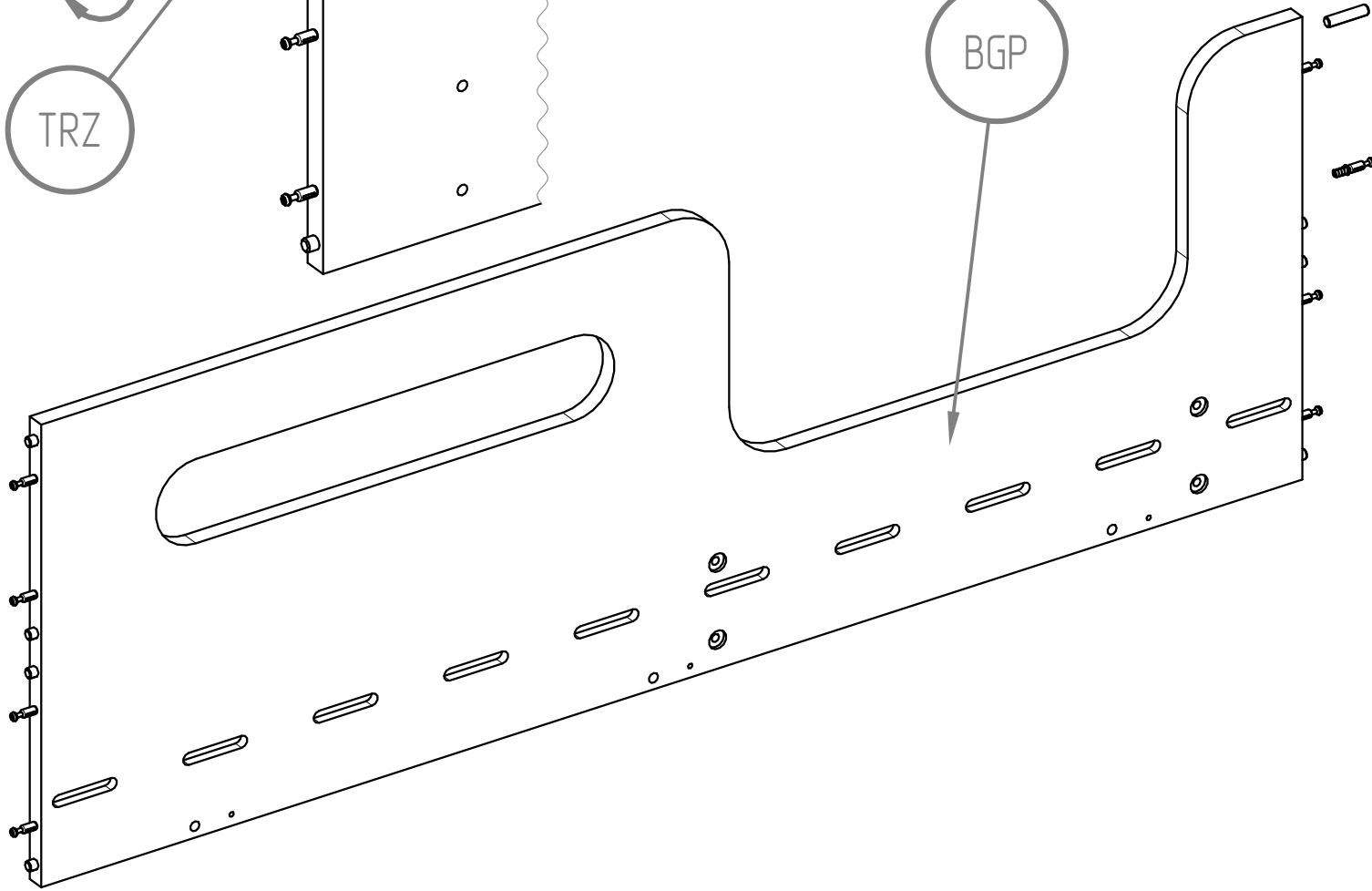
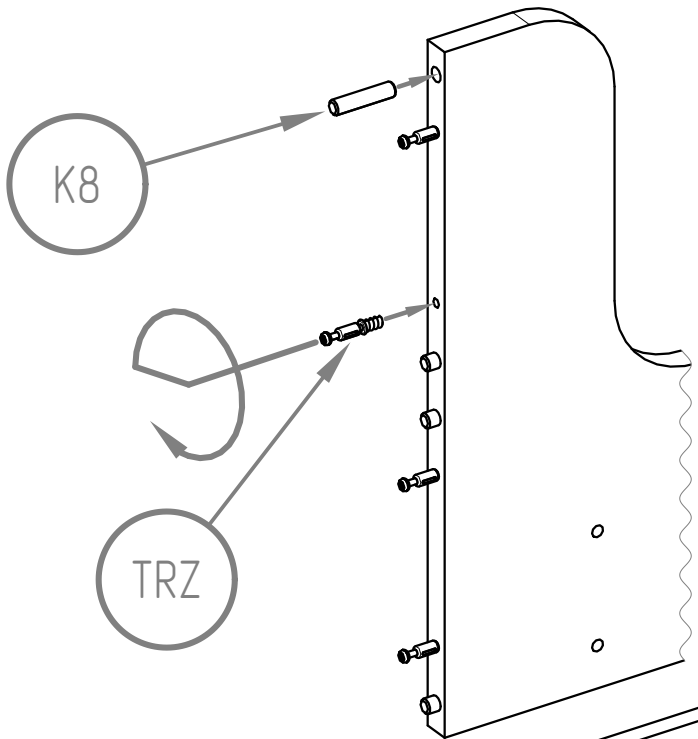
BDP

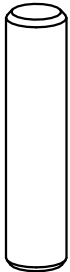
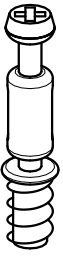


K8  
M8X35



TRZ  
M5X35



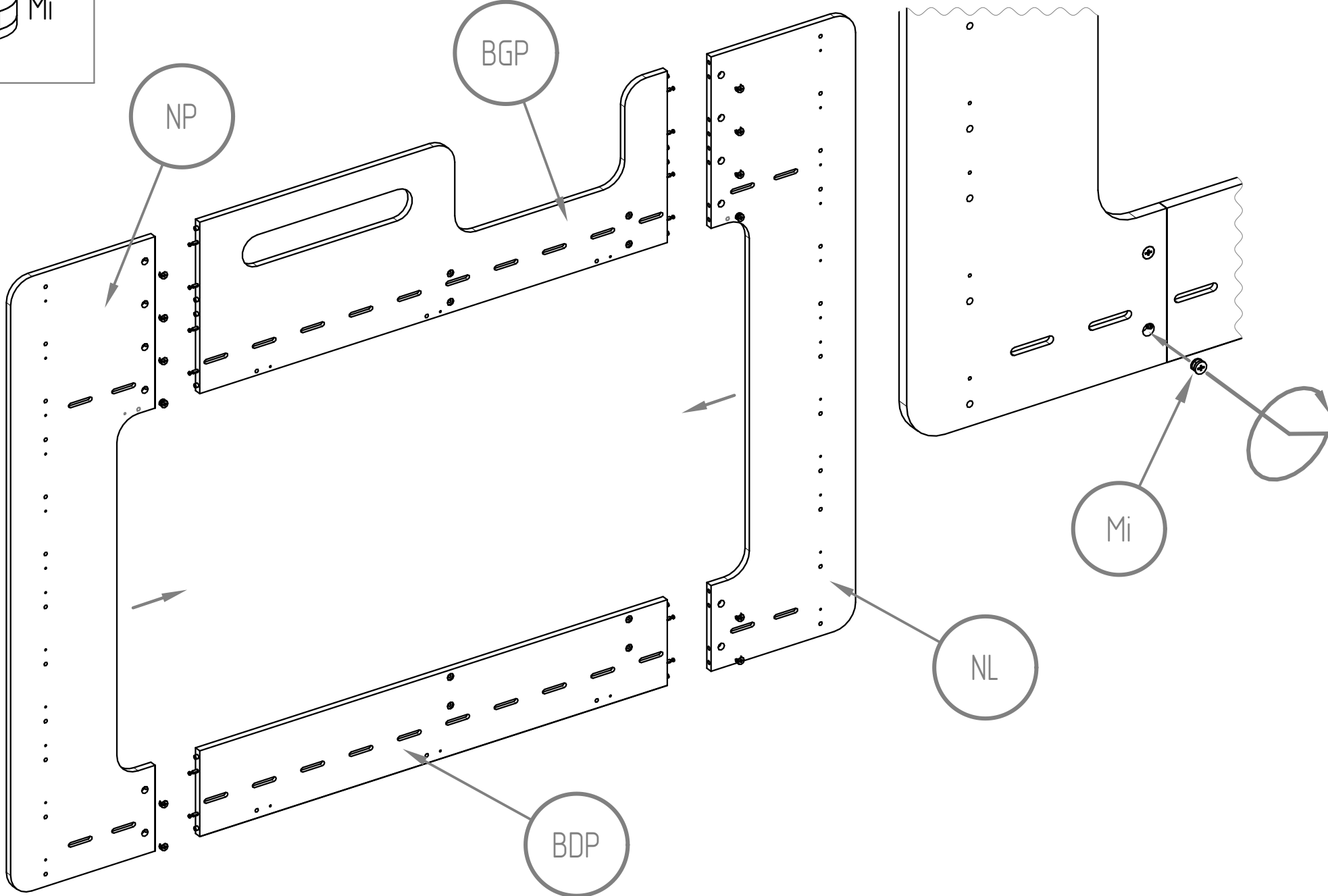
	K8	M8x35
	TRZ	M5x35



Mi

NP

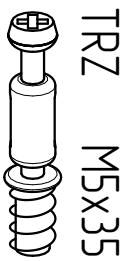
BGP



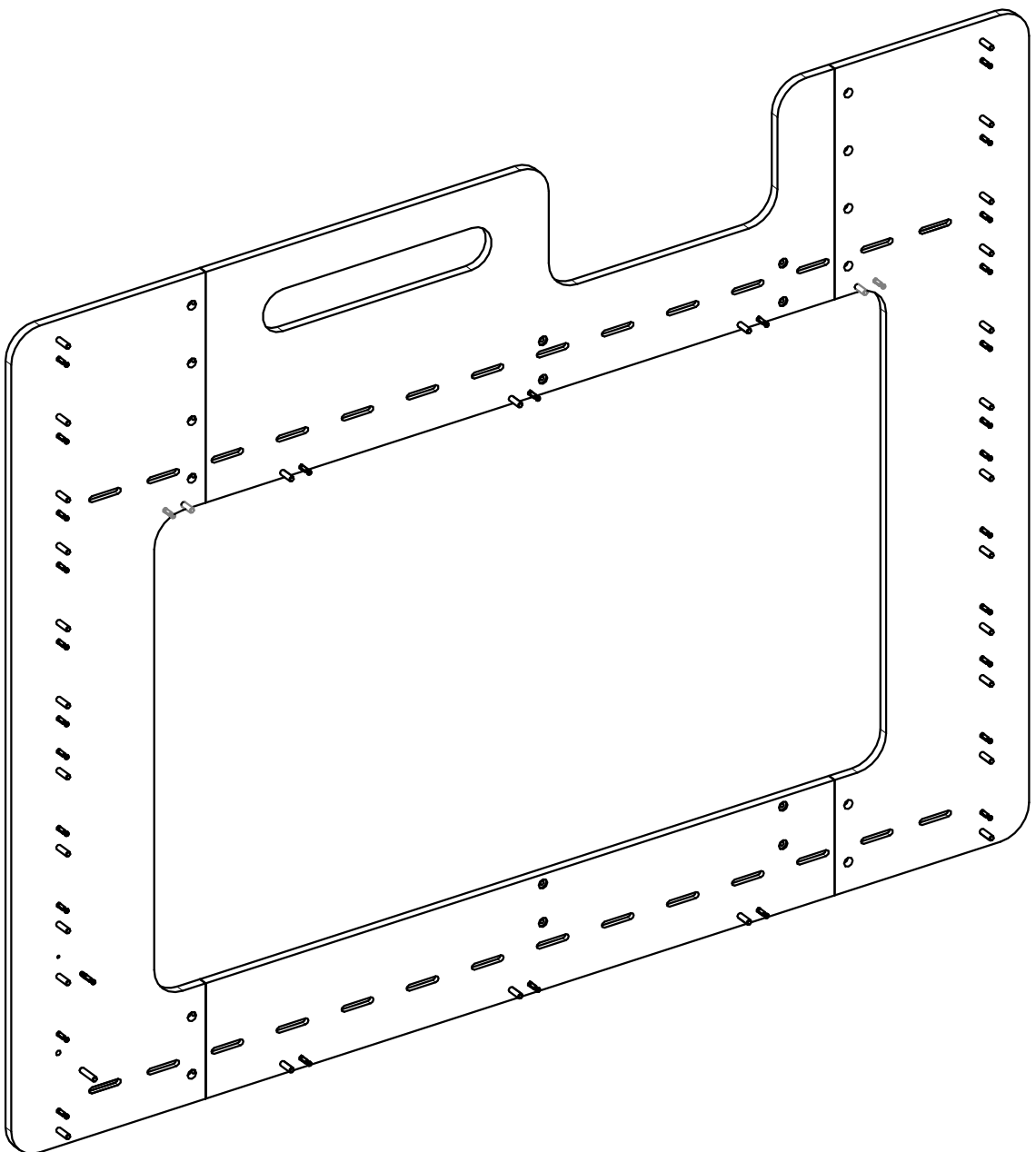
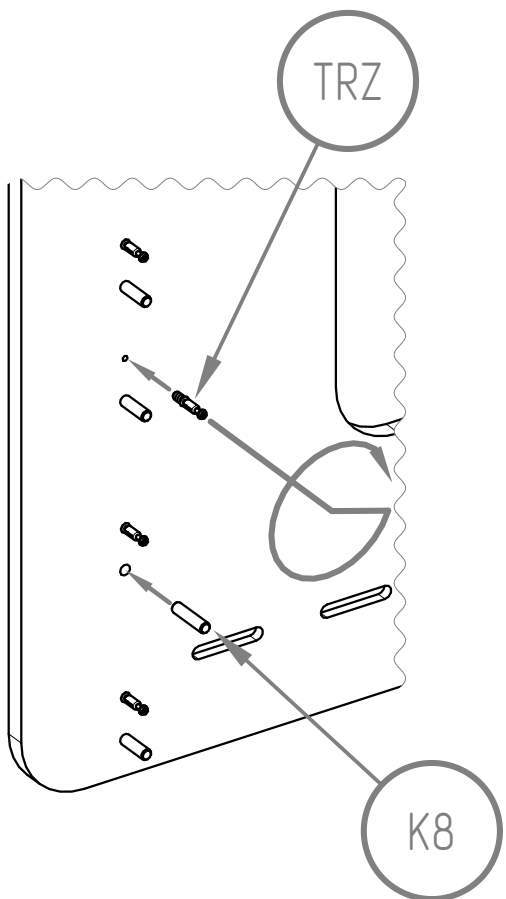
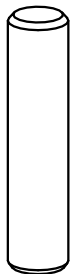
Mi

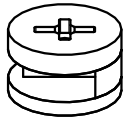
NL

BDP

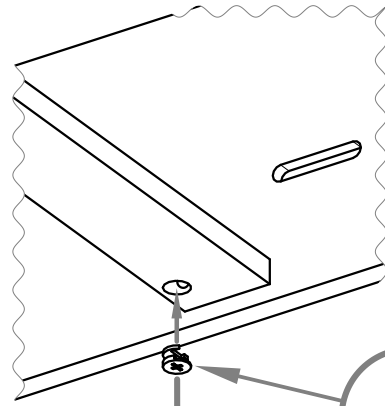
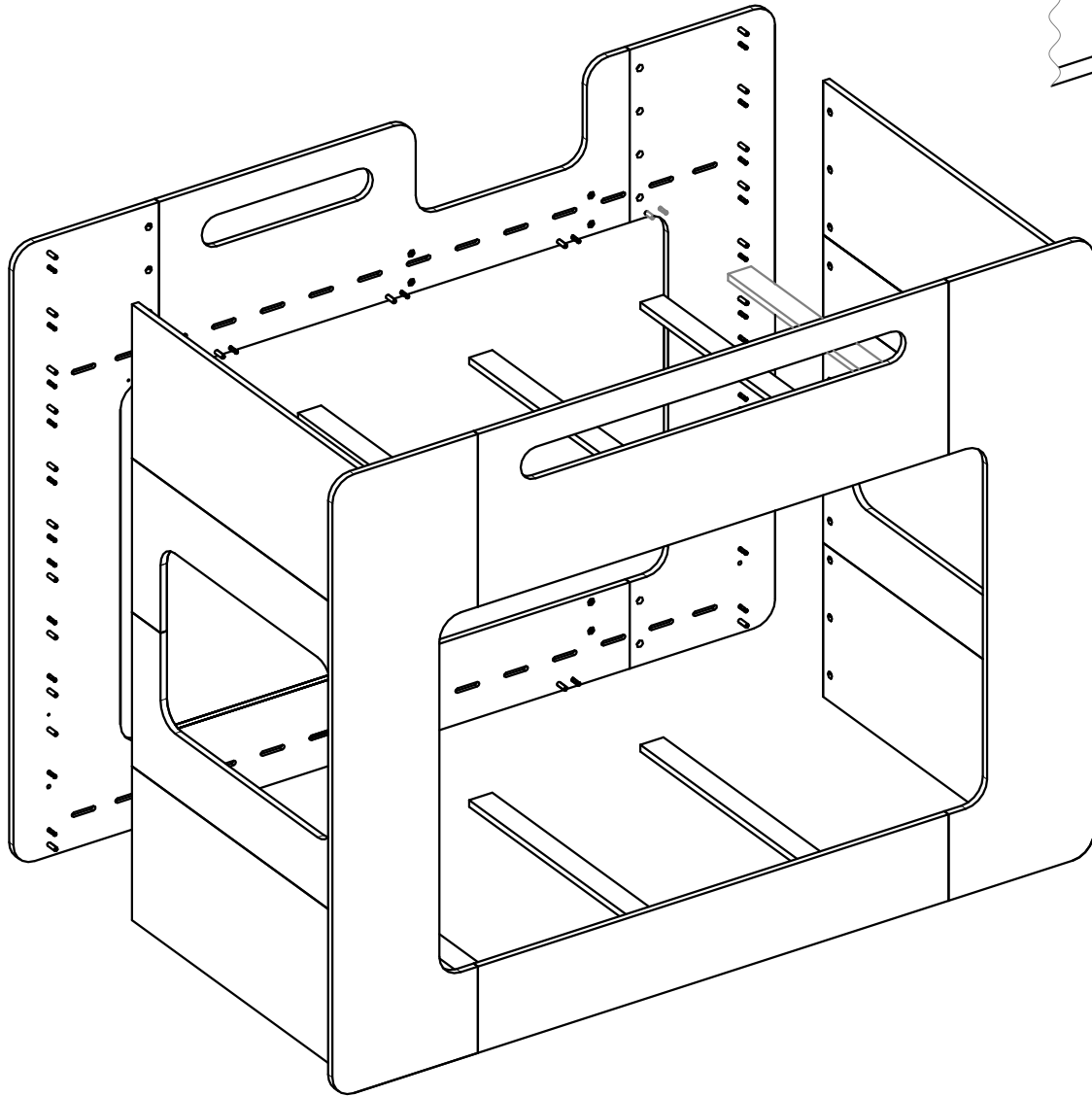


K8 M8X35

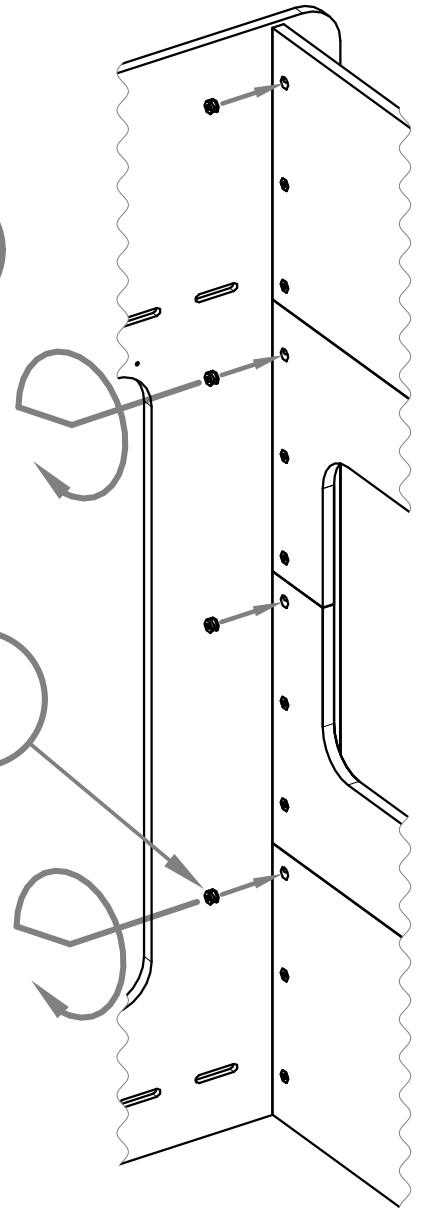




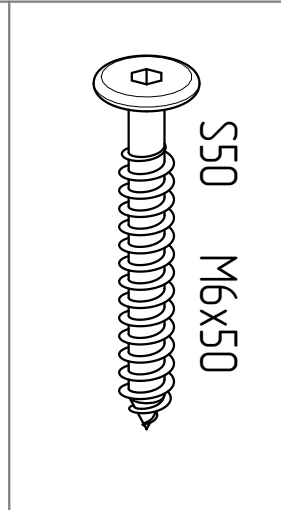
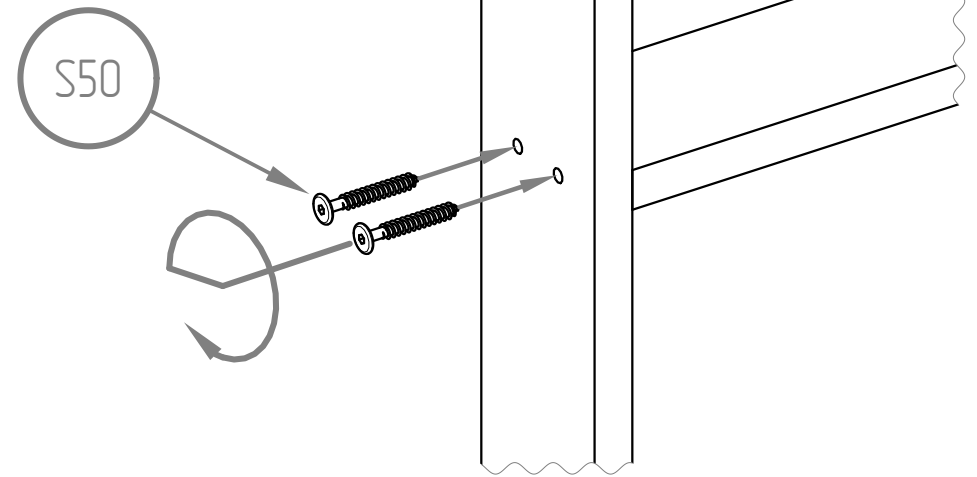
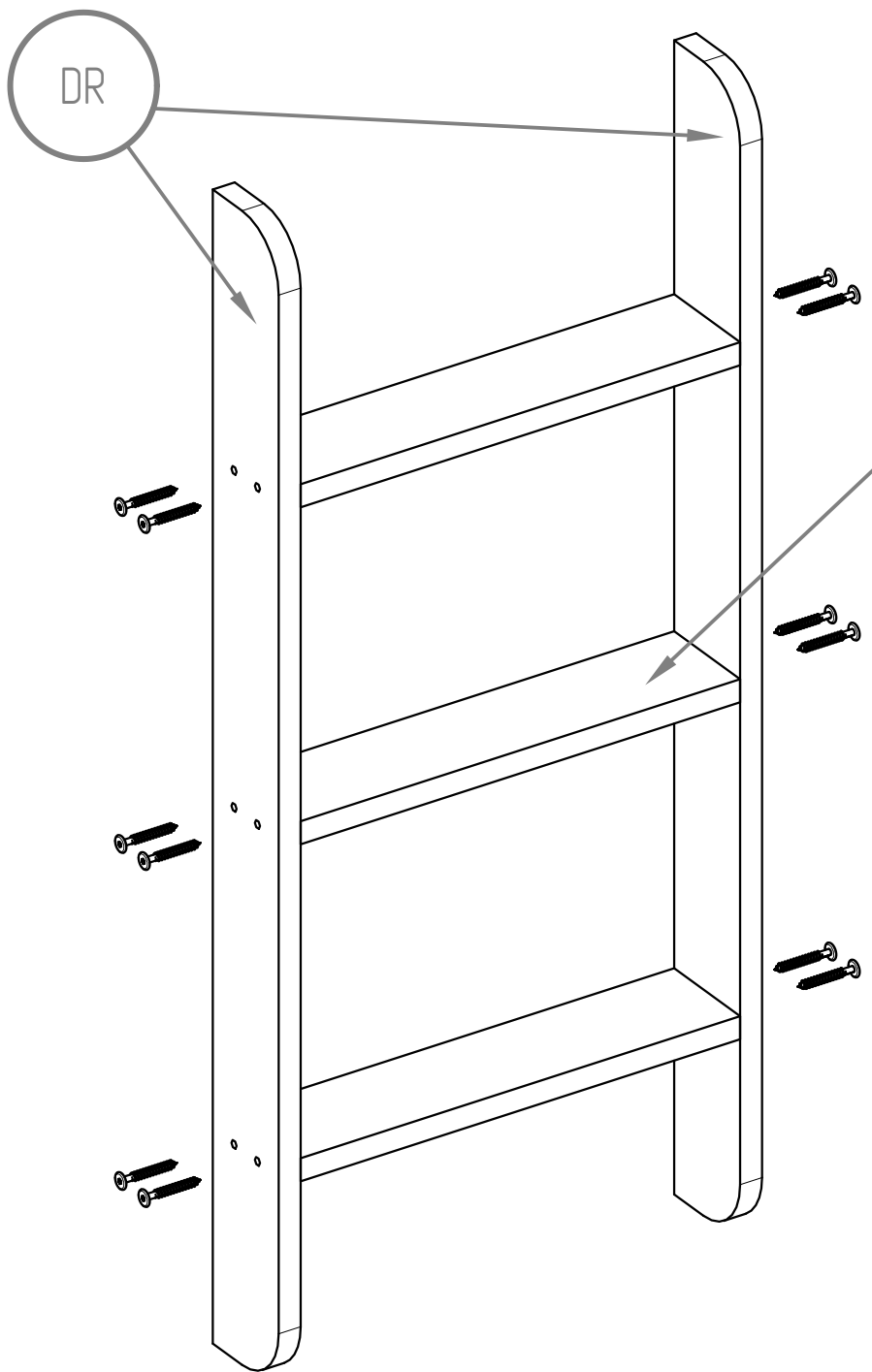
Mi



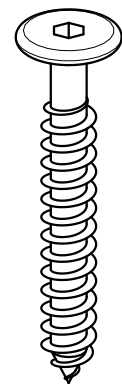
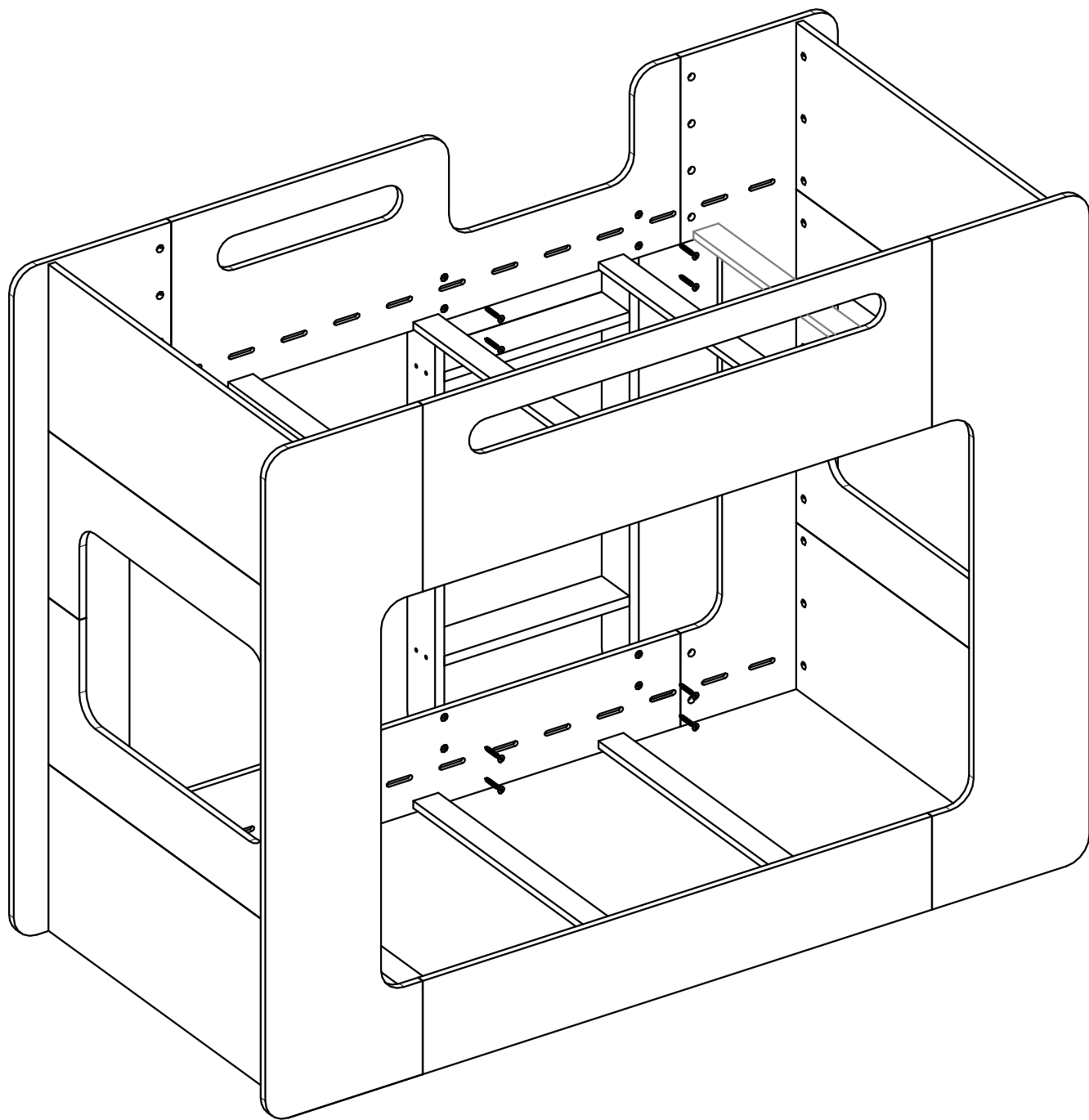
Mi



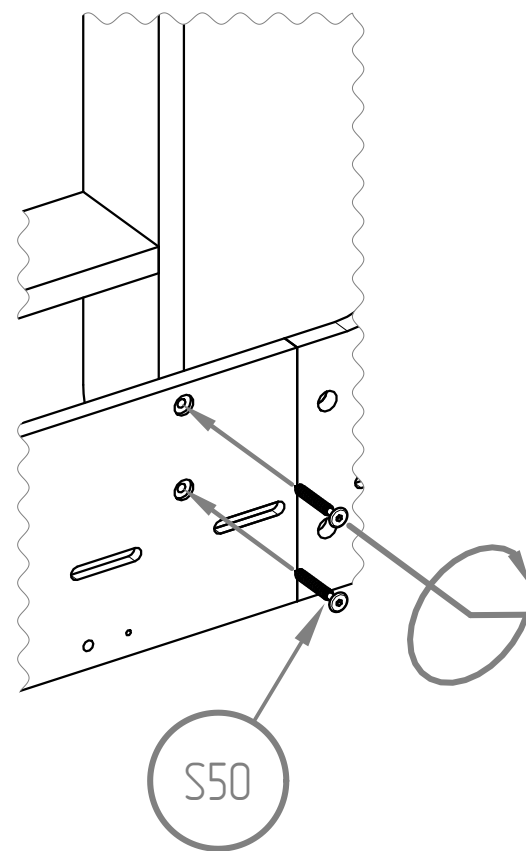
Mi

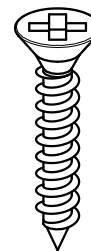
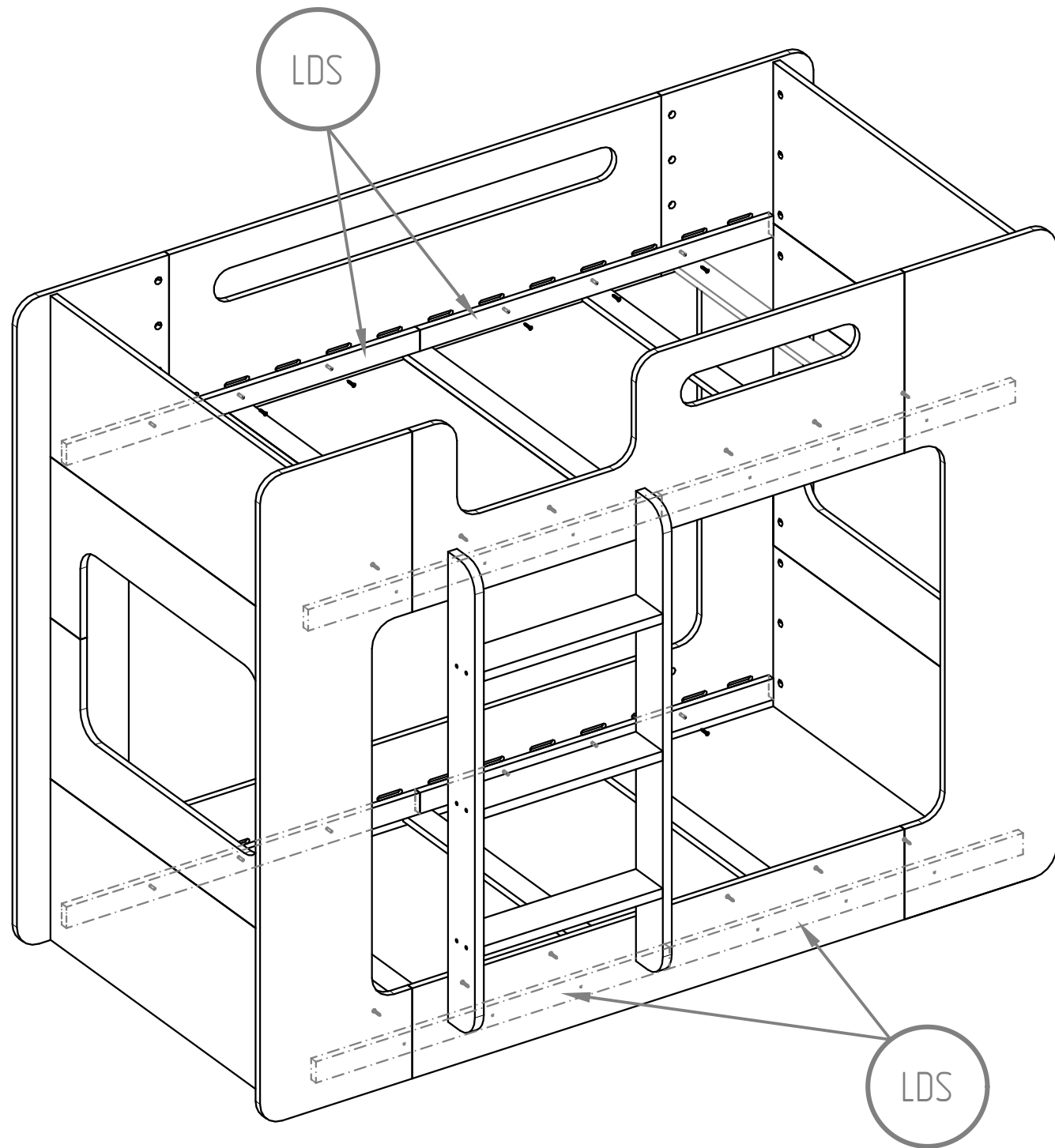




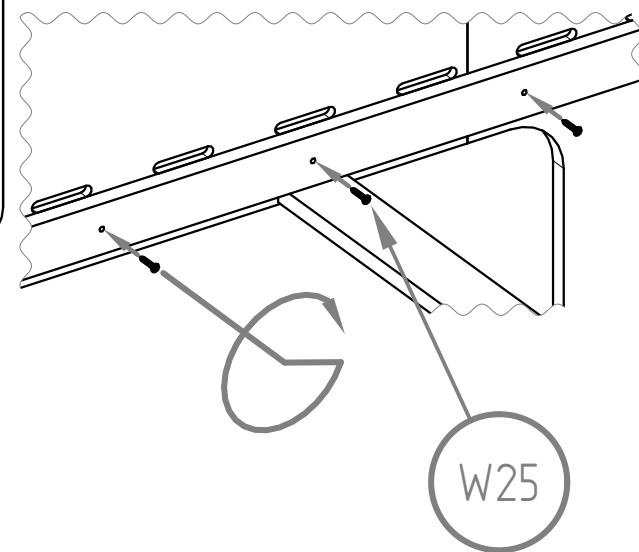


S50 M6x50



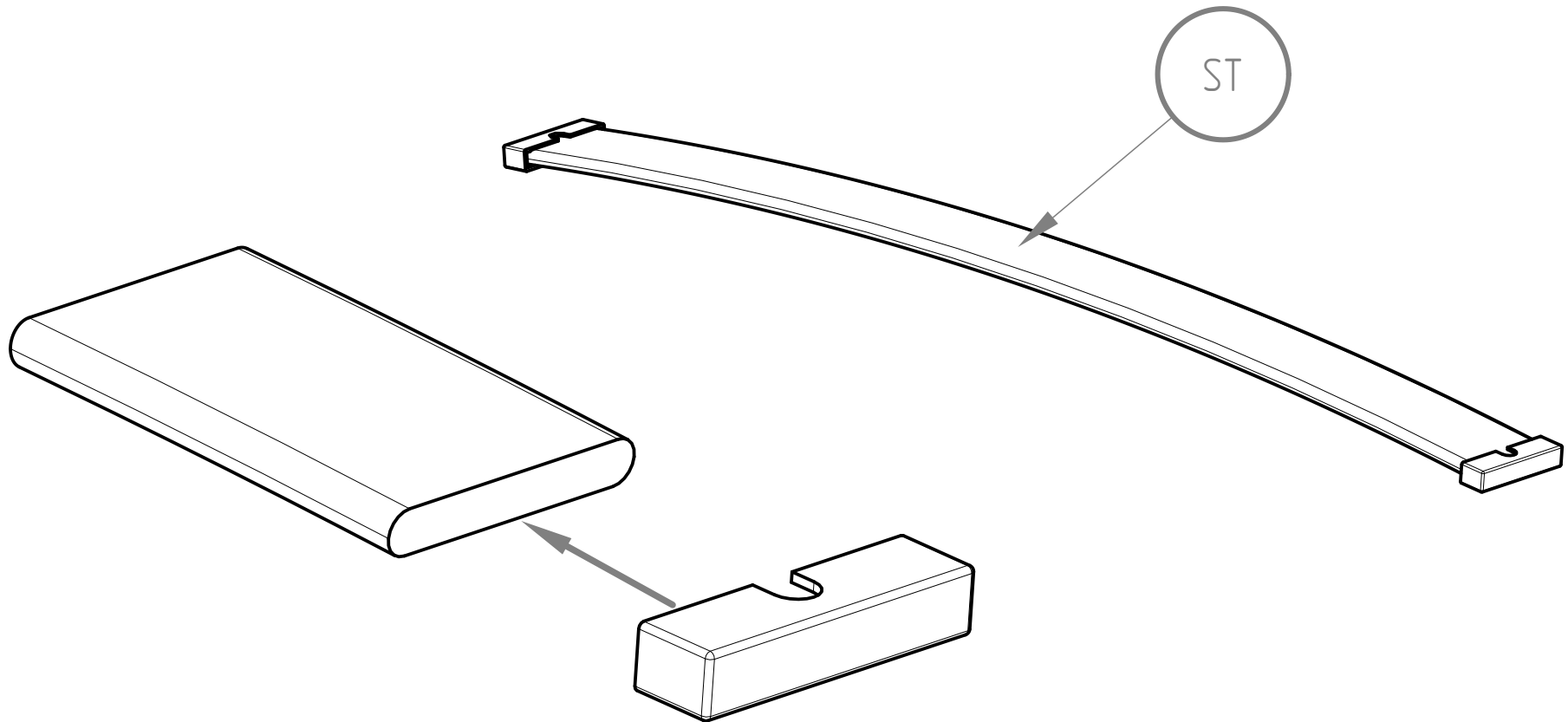


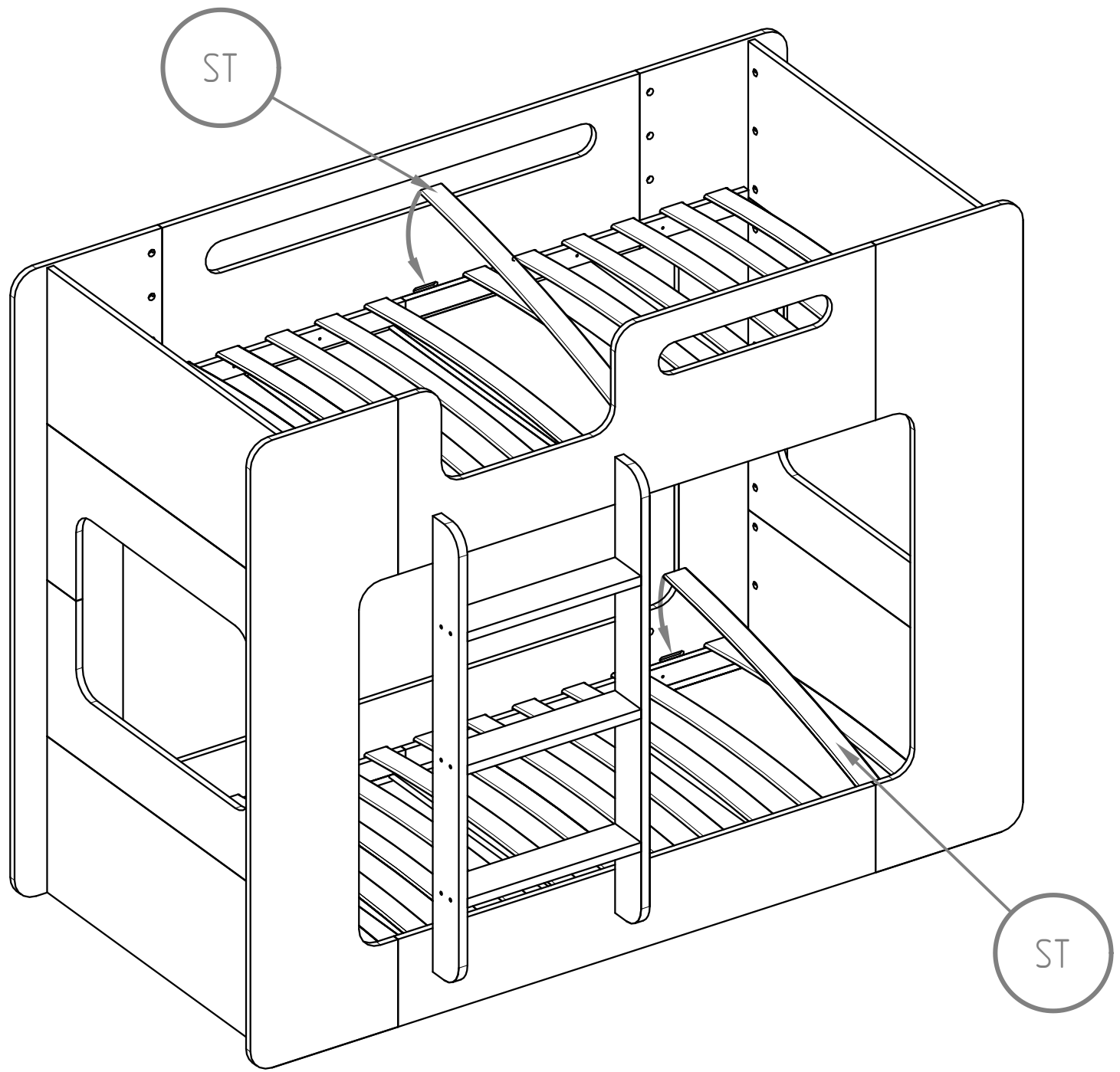
W25 M4x25



# Important!

Install the plastic caps before assembling the ST spring slats to the bed frame.





# IMPORTANT



Beds are for sleeping,  
not for jumping

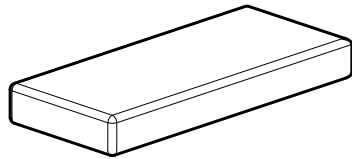
Prohibit more than  
one person on bed



UPPER BED

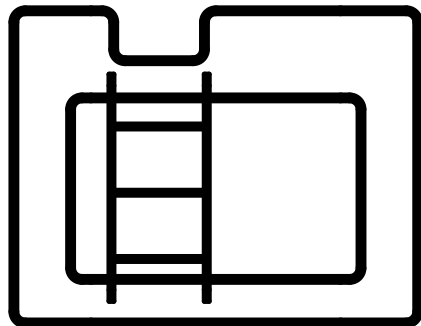


LOWER BED



Use only mattresses  
with thickness of 8-12 cm

Bed parts have 2 years  
warranty in normal use



Use the ladder to get in and out of the upper bed

Do not hang on structural elements

Design and execution in accordance with the standard

PN-EN 747-1+A1:2015-08

Wooden parts should be cleaned with a dry cloth and ordinary  
mild detergents for the care and cleaning of wooden parts