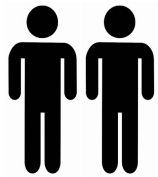
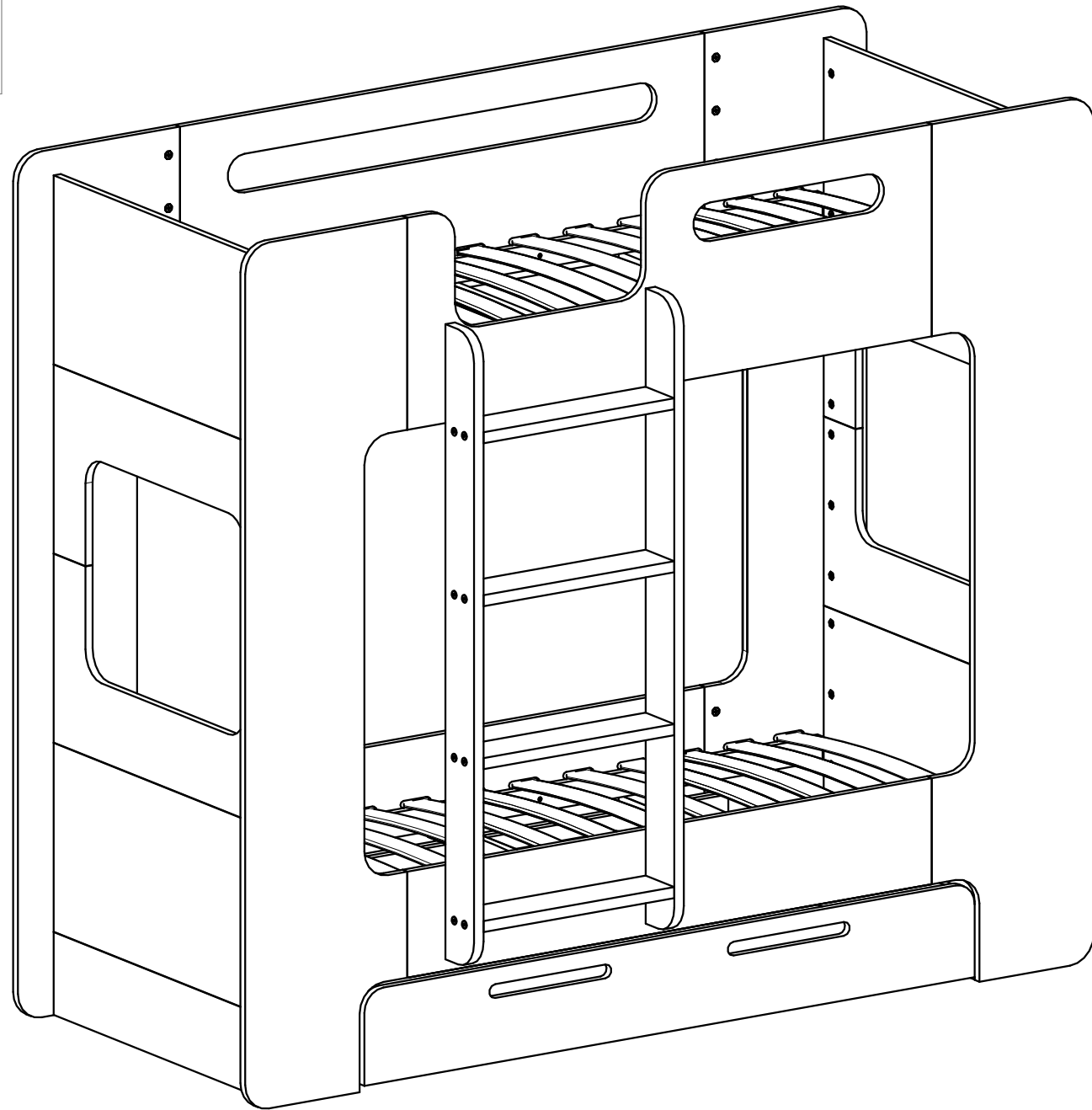


MIMI D



Recommended
assembly by 2 person

IMPORTANT



Beds are for sleeping,
not for jumping

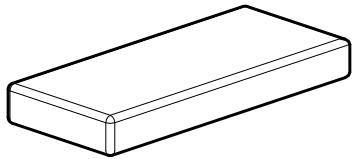
Prohibit more than
one person on bed



UPPER BED

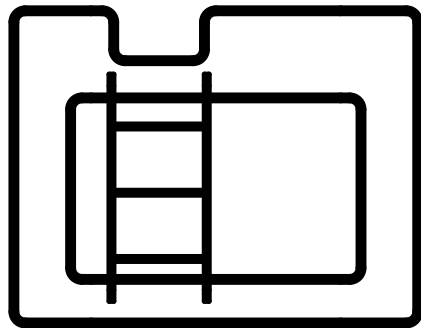


LOWER BED



Use only mattresses
with thickness of 8-12 cm

Bed parts have 2 years
warranty in normal use



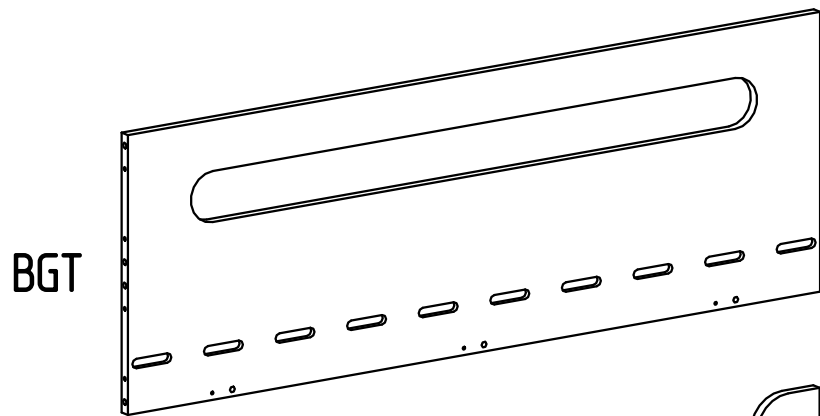
Use the ladder to get in and out of the upper bed

Do not hang on structural elements

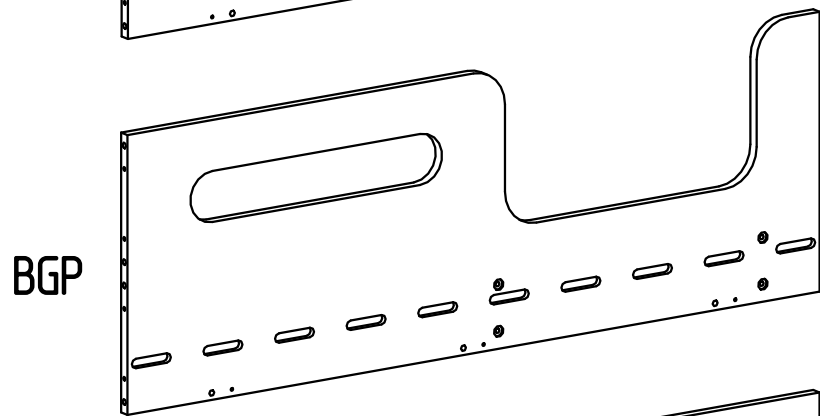
Design and execution in accordance with the standard

PN-EN 747-1+A1:2015-08

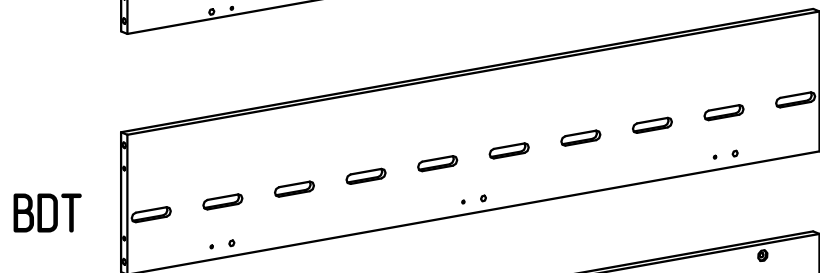
Wooden parts should be cleaned with a dry cloth and ordinary
mild detergents for the care and cleaning of wooden parts



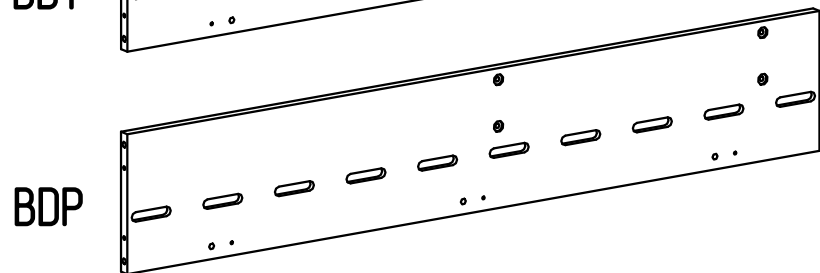
BGT



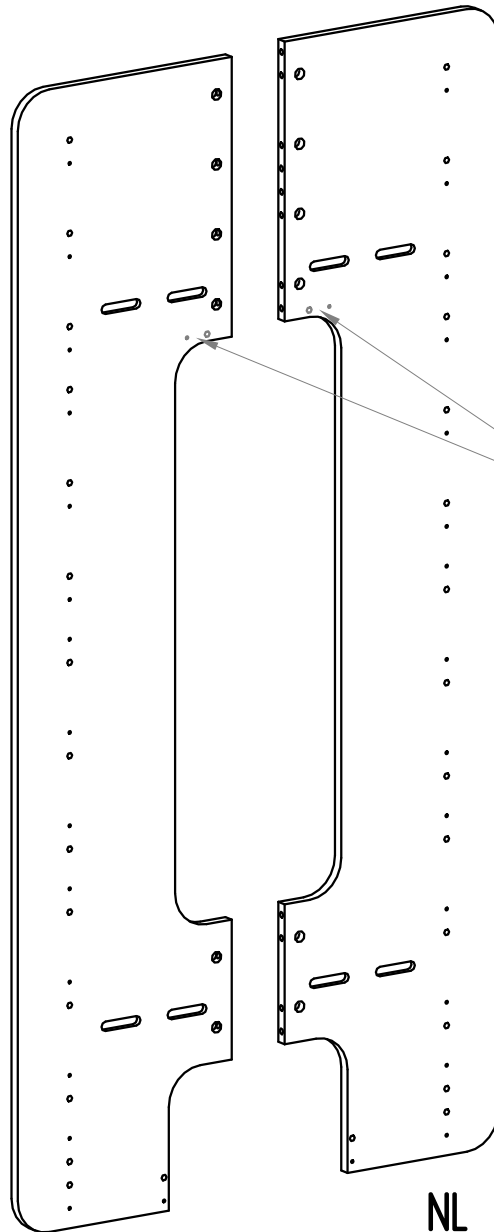
BGP



BDT



BDP



NP

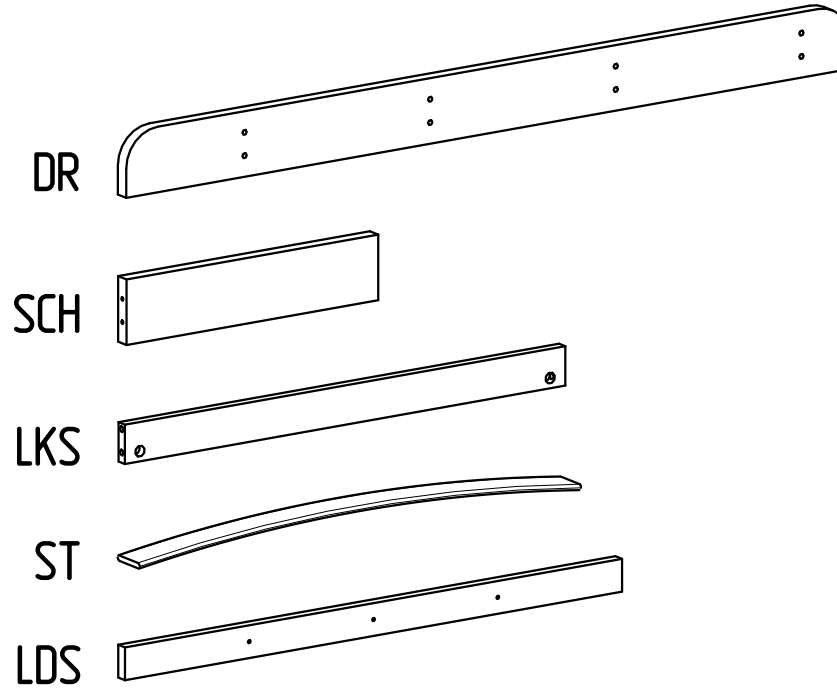
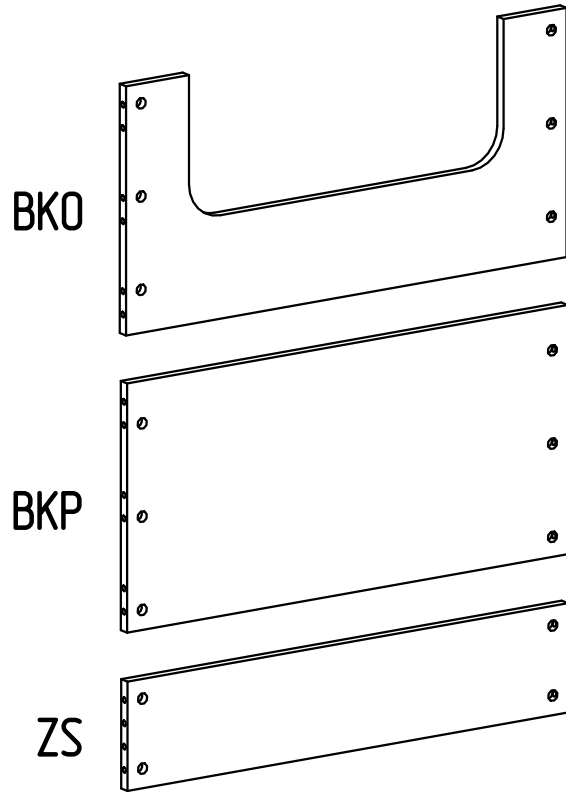
NL

Only for size 100cm

MIMI D

BGT	x1
BGP	x1
BDT	x1
BDP	x1
NP	x2
NL	x2

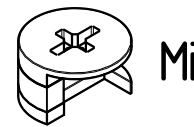
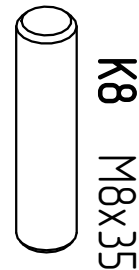
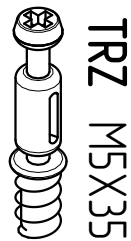
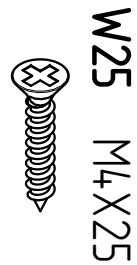
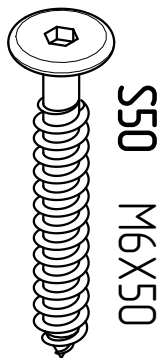
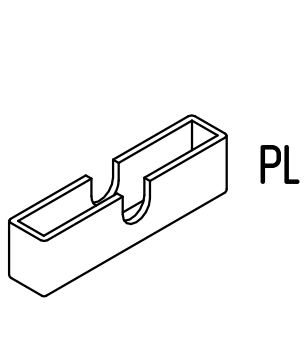
Drawer elements are on page 12



MIMI D

BKO	x4
BKP	x4
ZS	x2
DR	x2
SCH	x4
LKS*	x8/x10
ST	x24-32
LDS	x8

*10x LKS – only for size 100



SCREWS Bed + drawer

PL	x48-64
S50	x24
W25	x24
TRZ	x108
K8	x120
W13	x25
Mi	x108

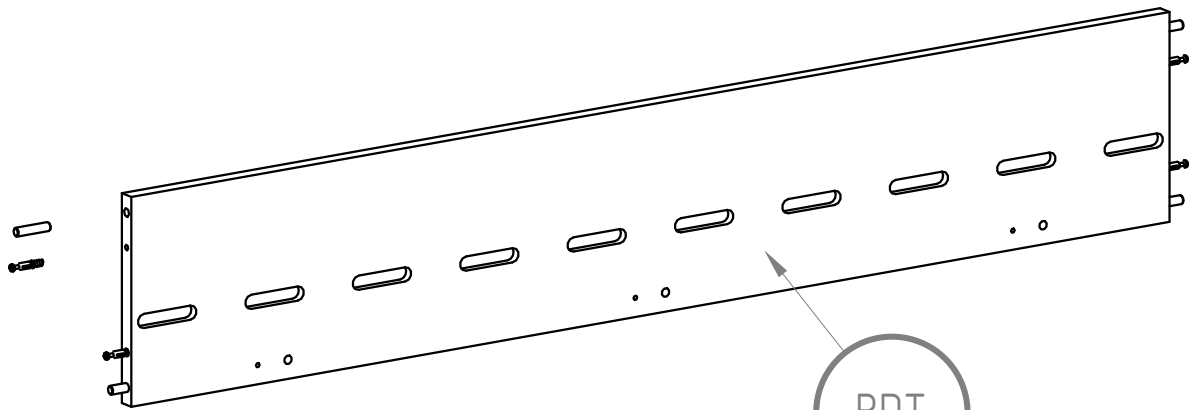
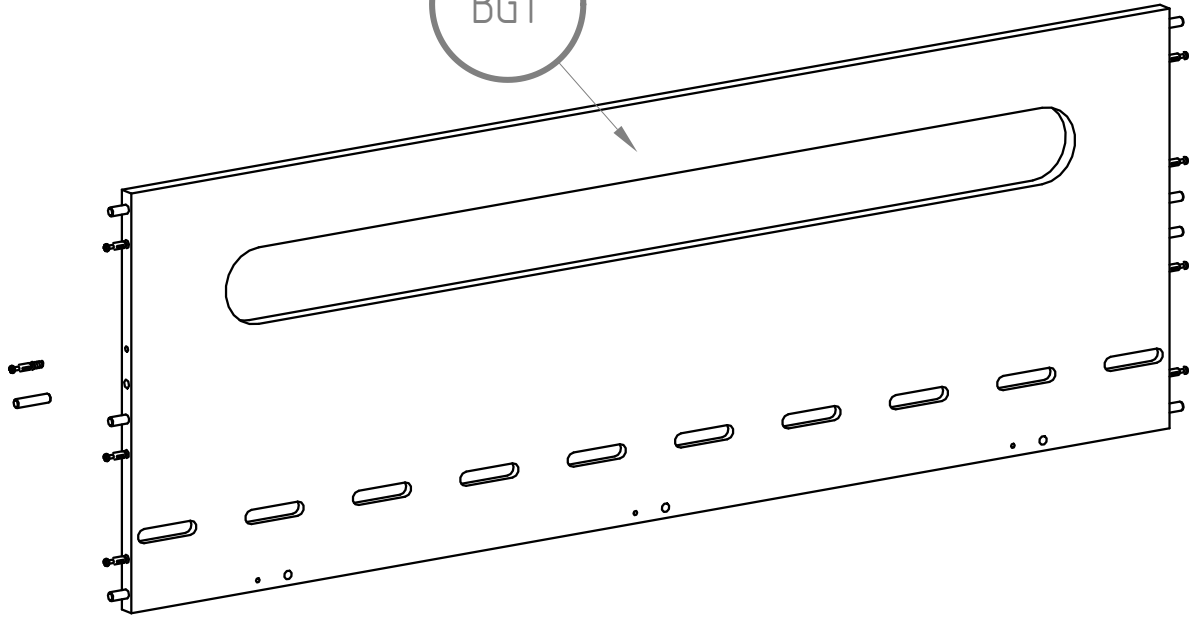


The same situation for element

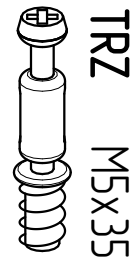
BGP

BDP

BGT



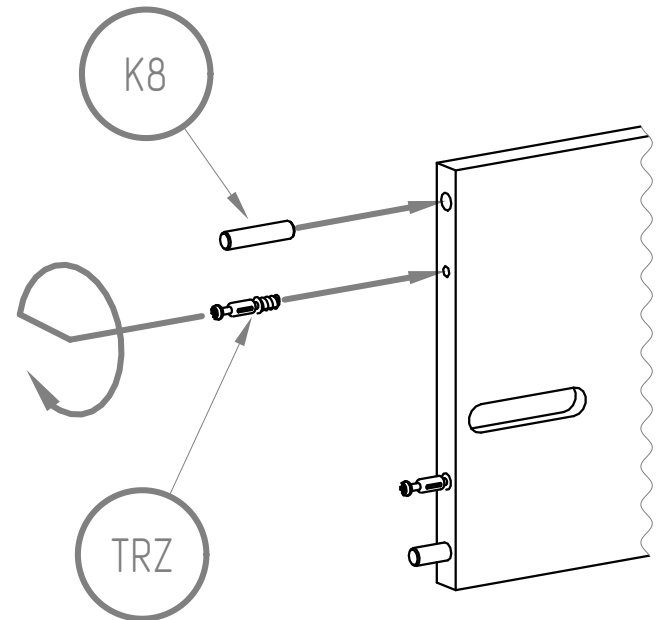
BDT



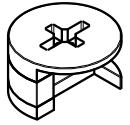
TRZ
M5X35



K8
M8X35



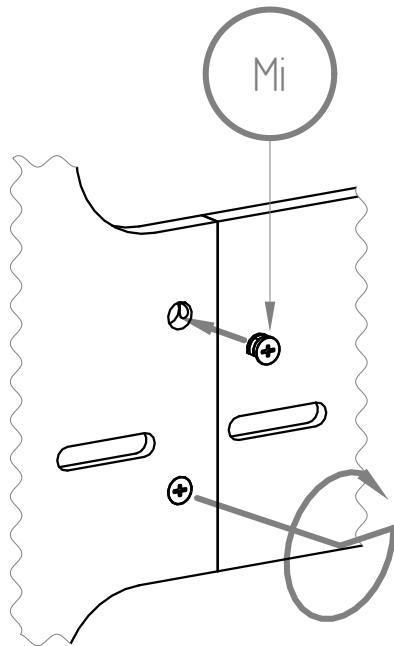
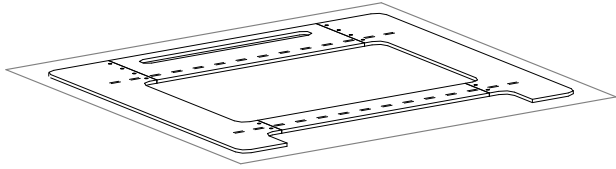
3



Mi

Recommendation

Assembly on the floor



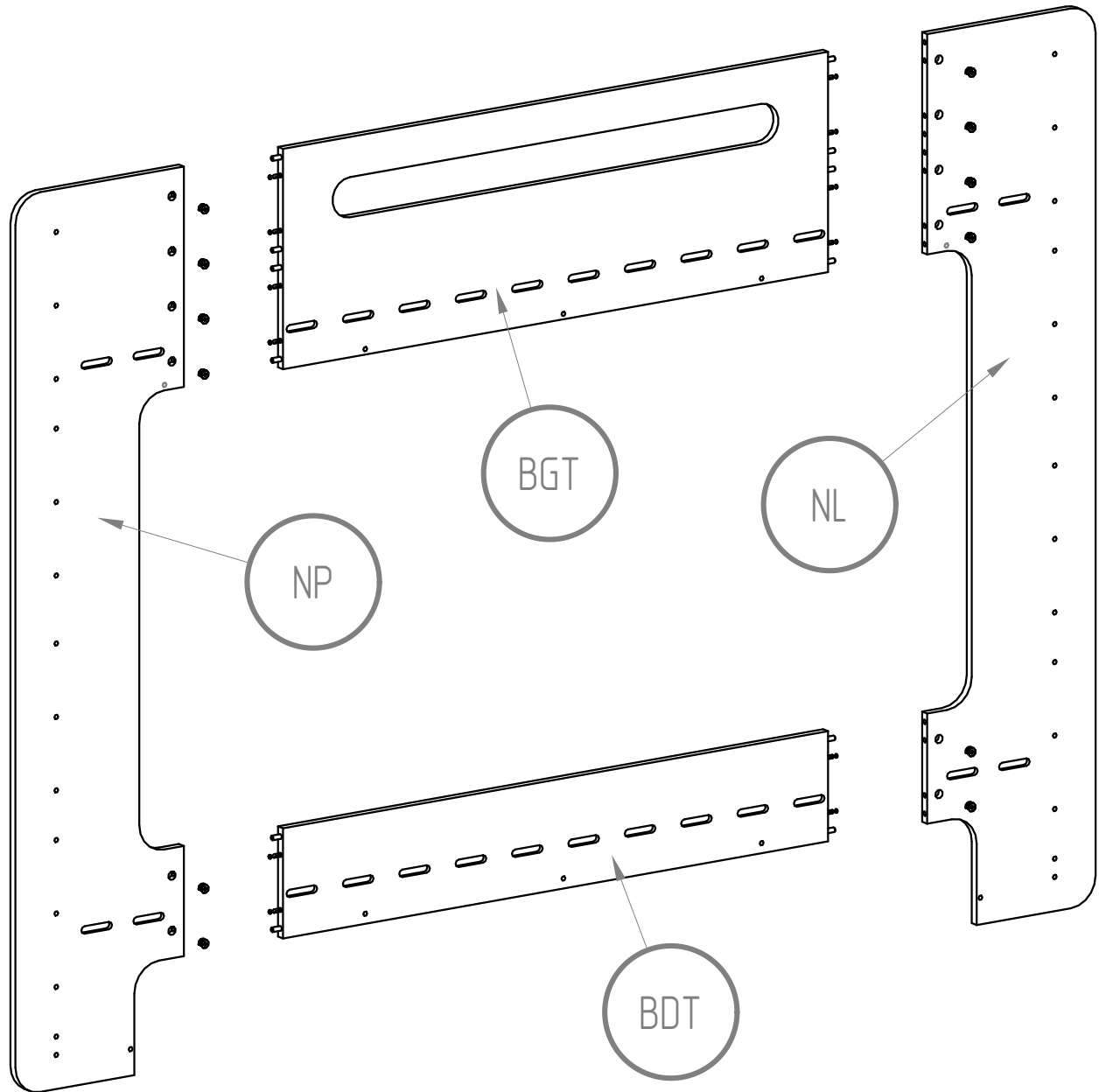
The same situation for element

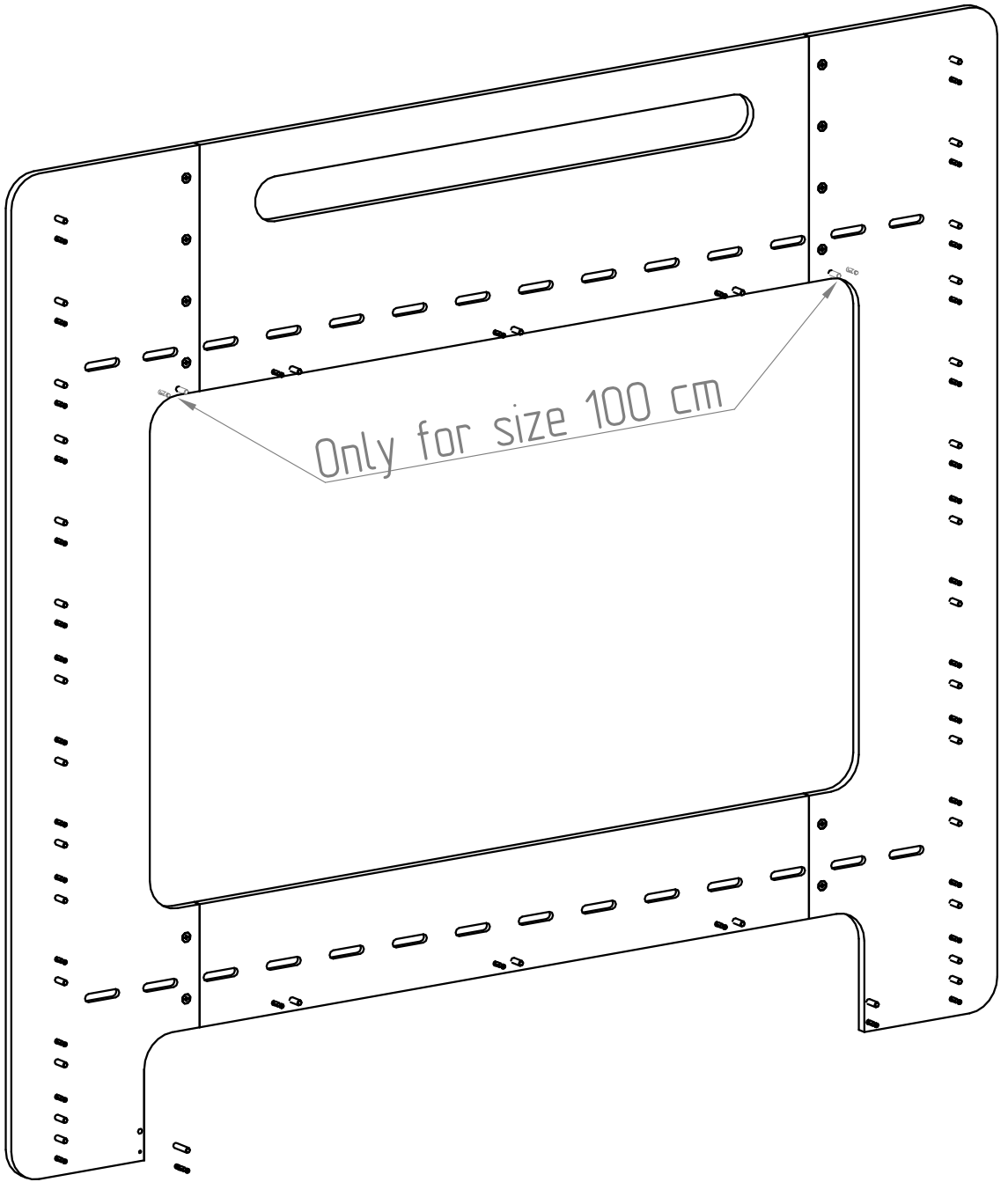
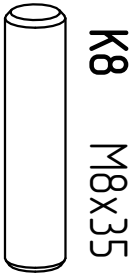
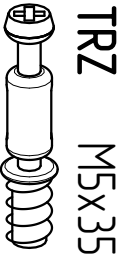
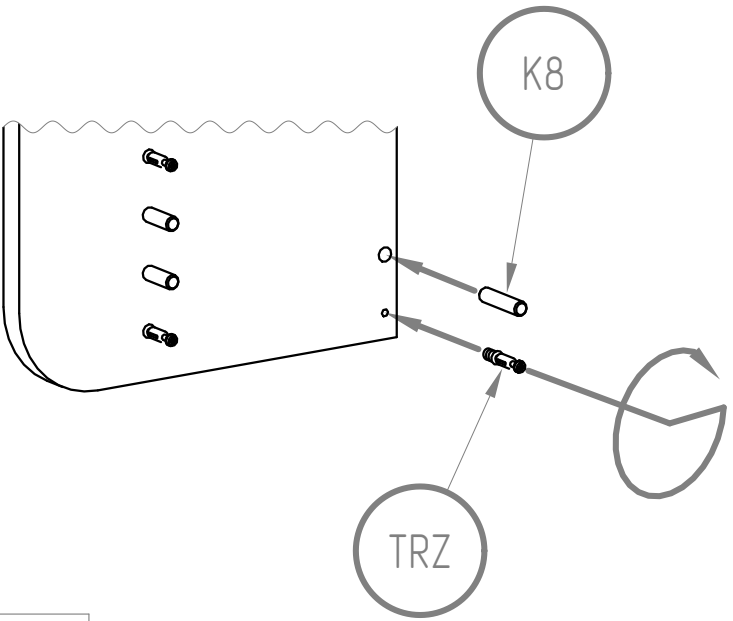
BGP

BDP

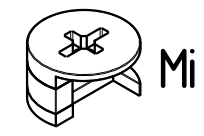
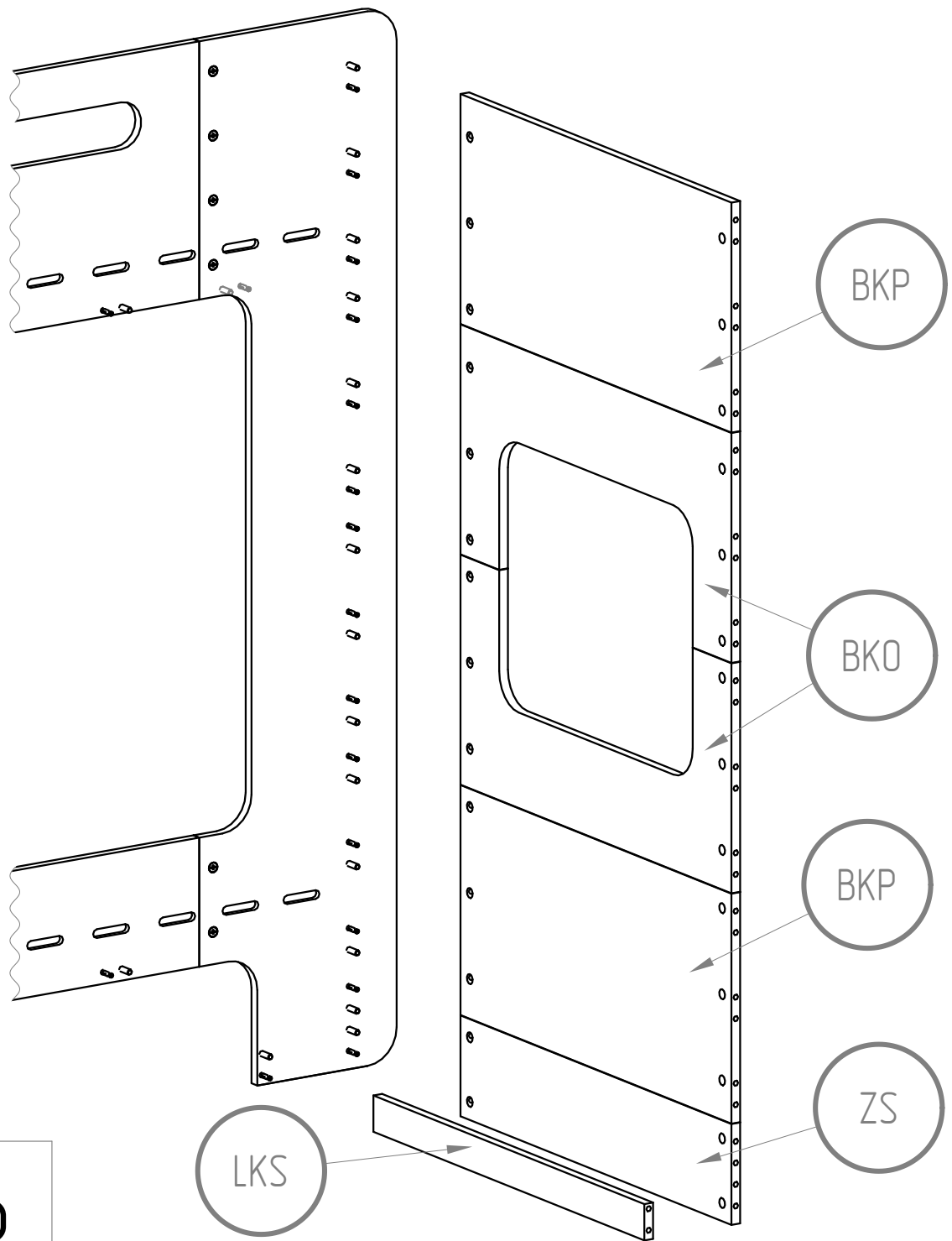
NP

NL

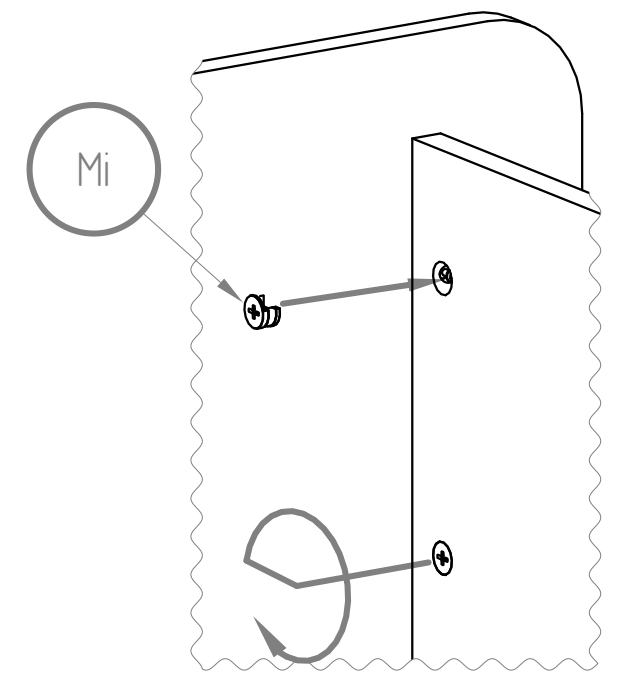
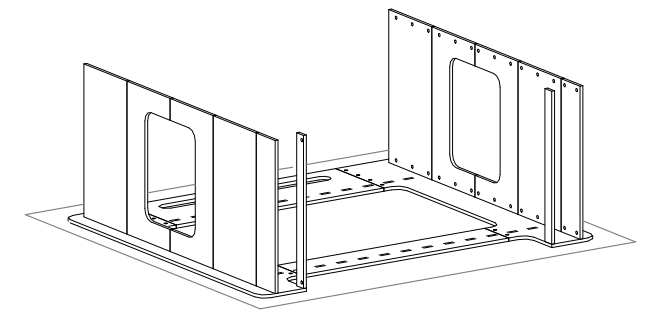


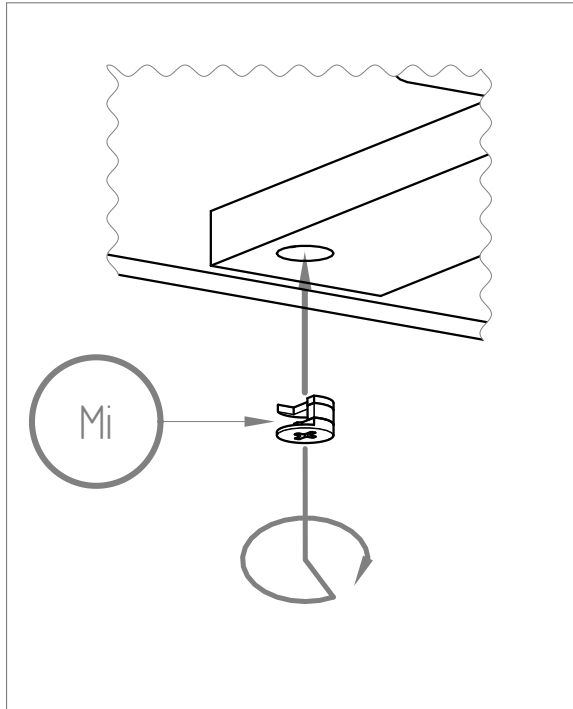
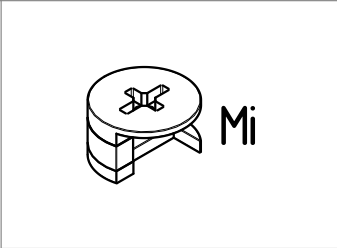
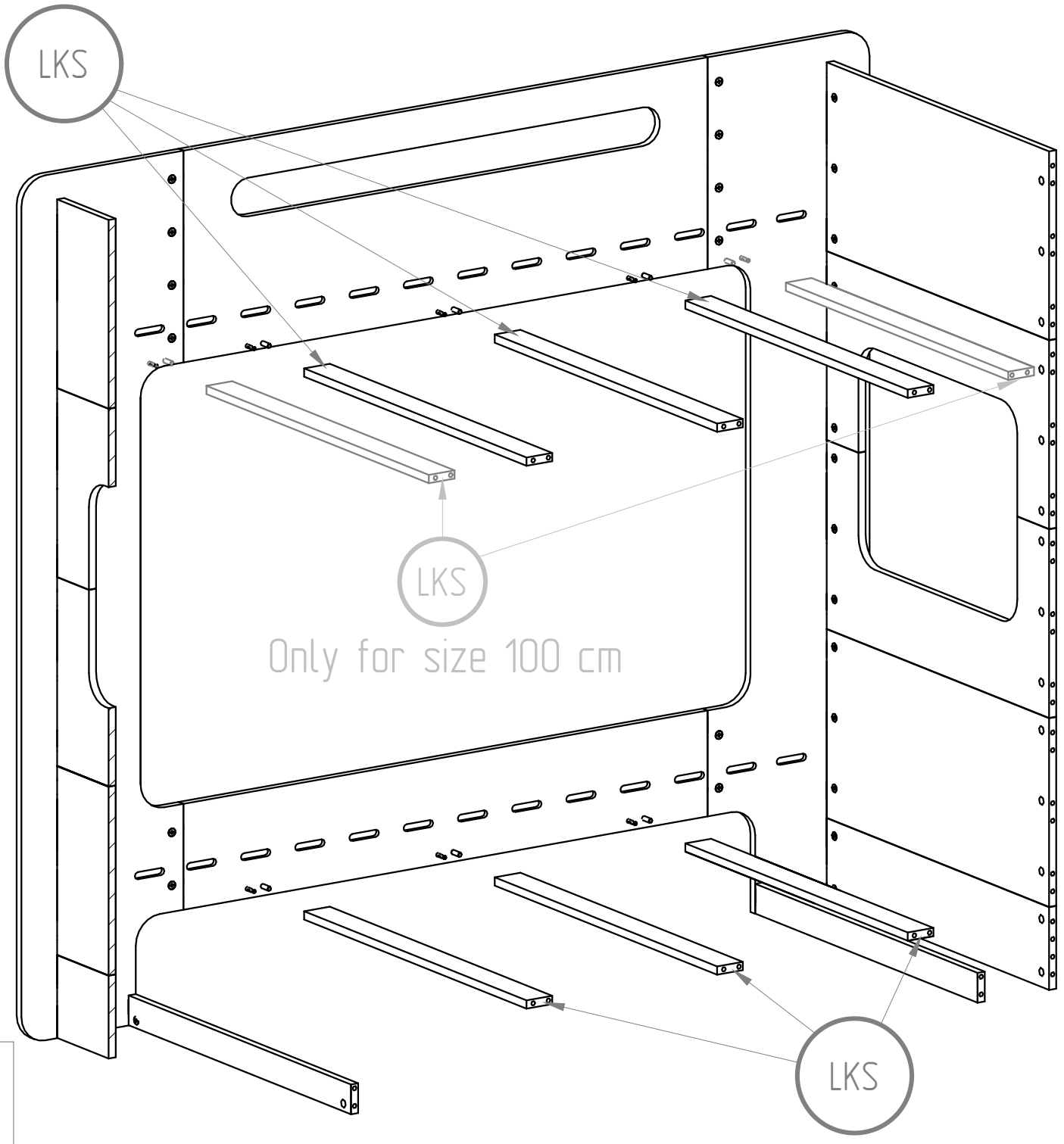


6



The same situation on the other side

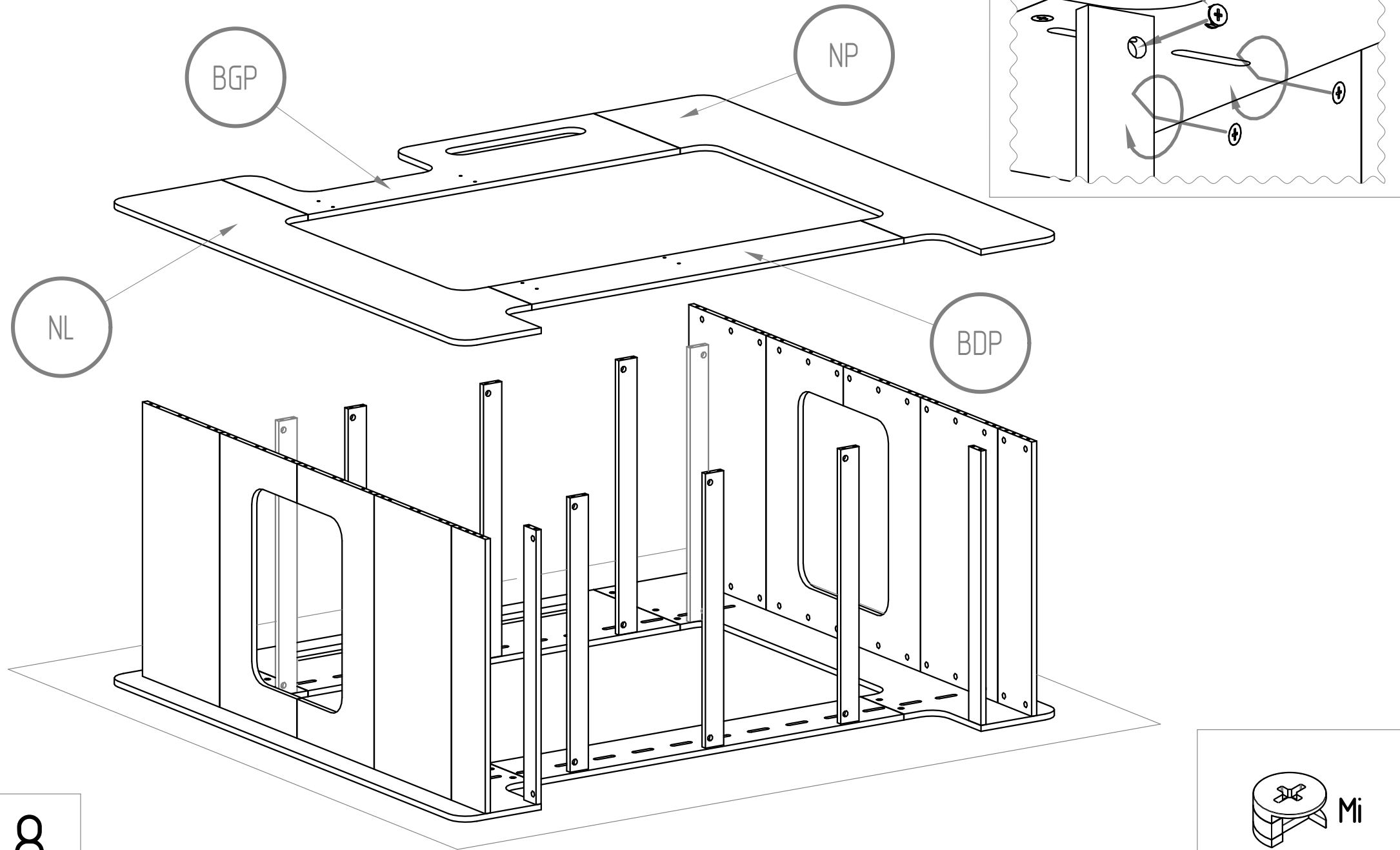


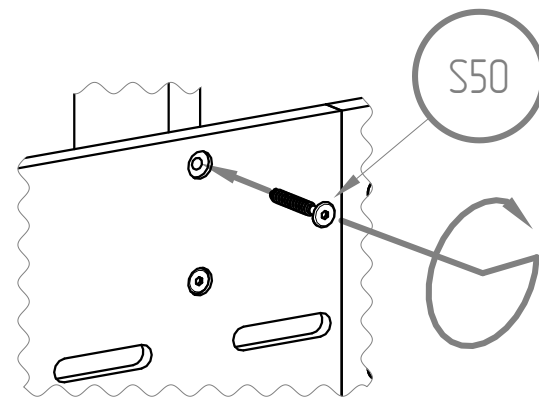
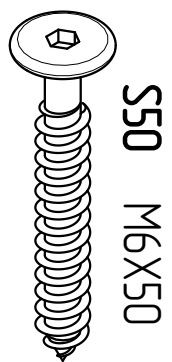
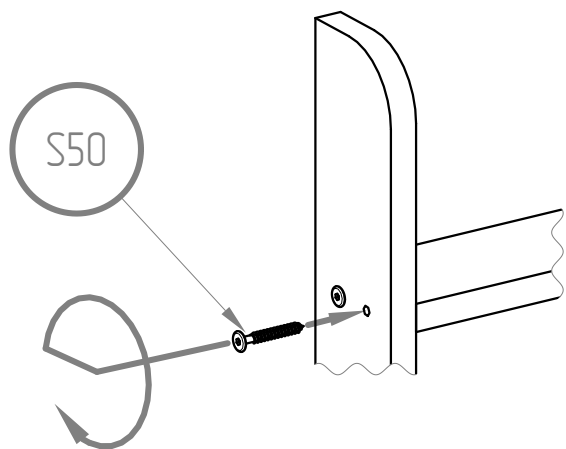
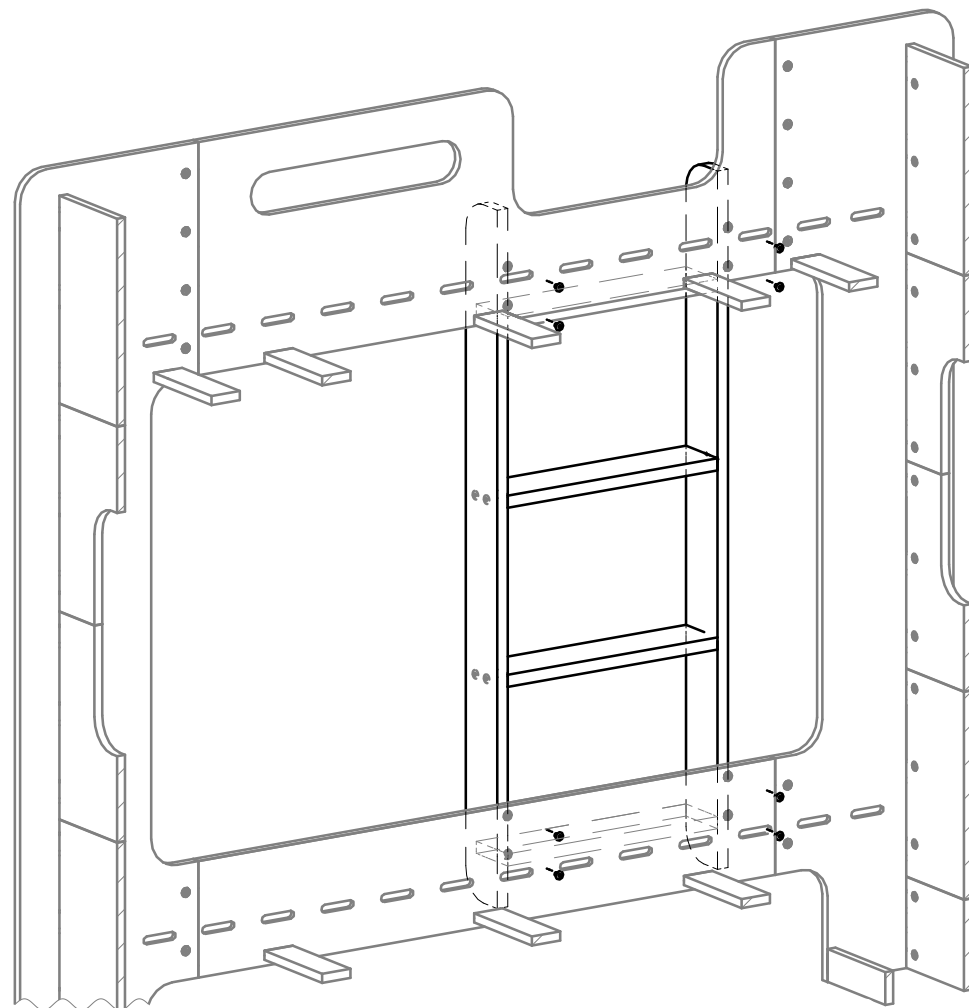
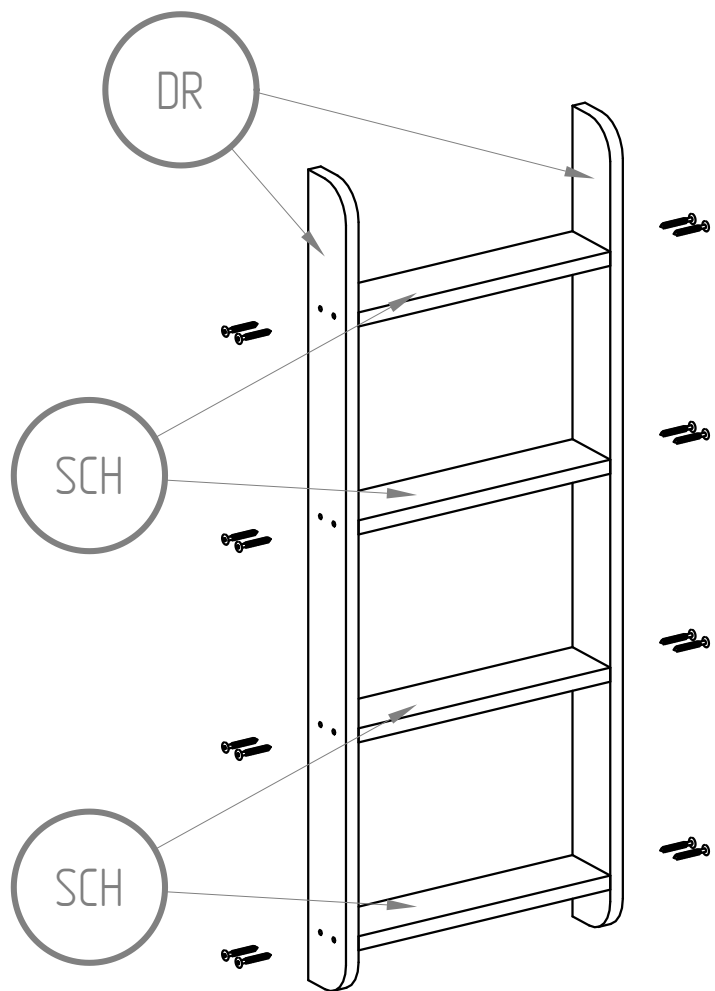


7



Before assembly, see pages 4 and 5



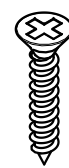


LDS

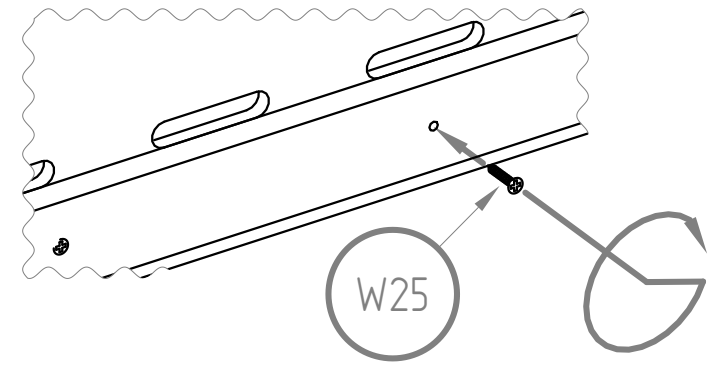
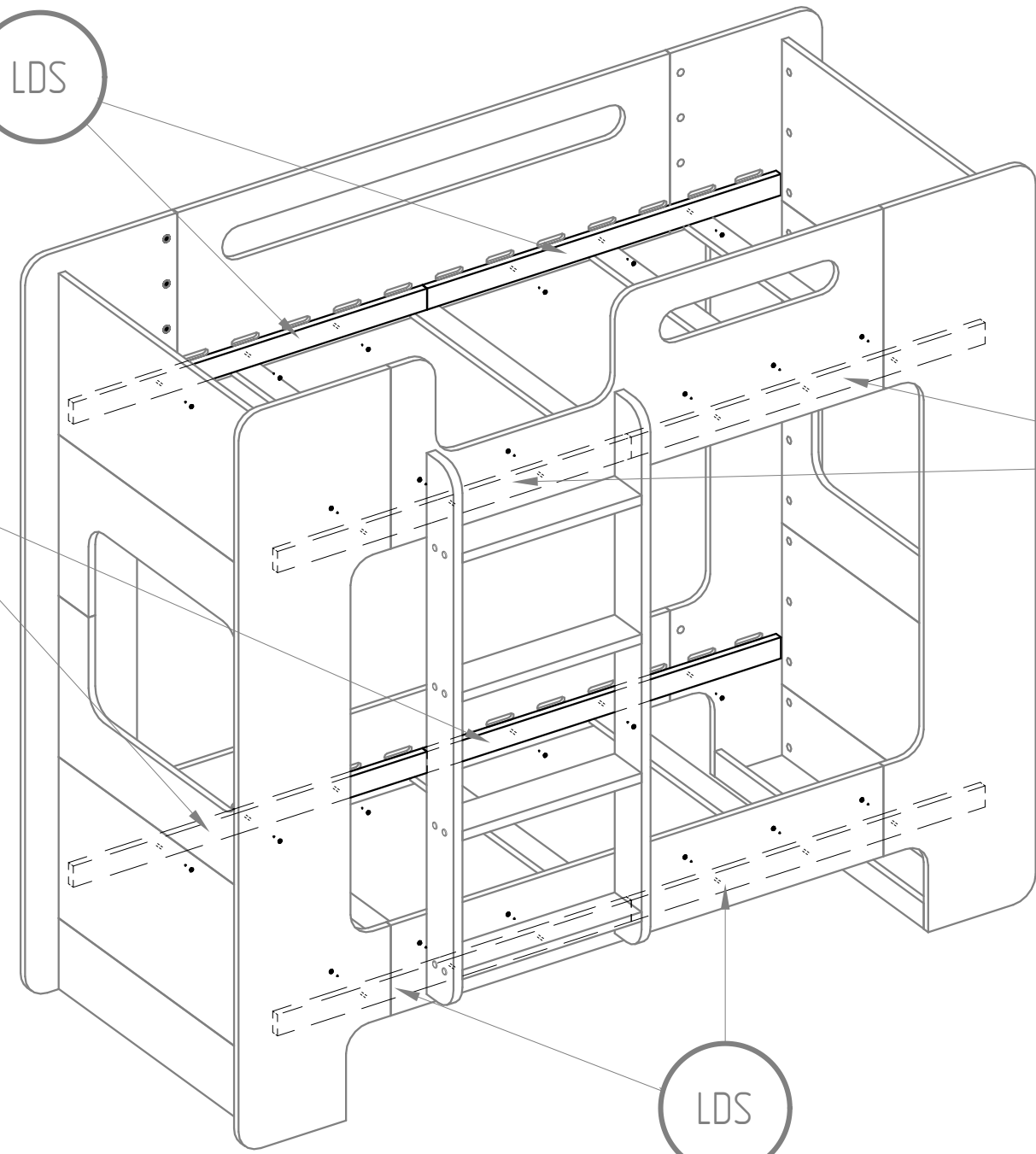
LDS

LDS

LDS



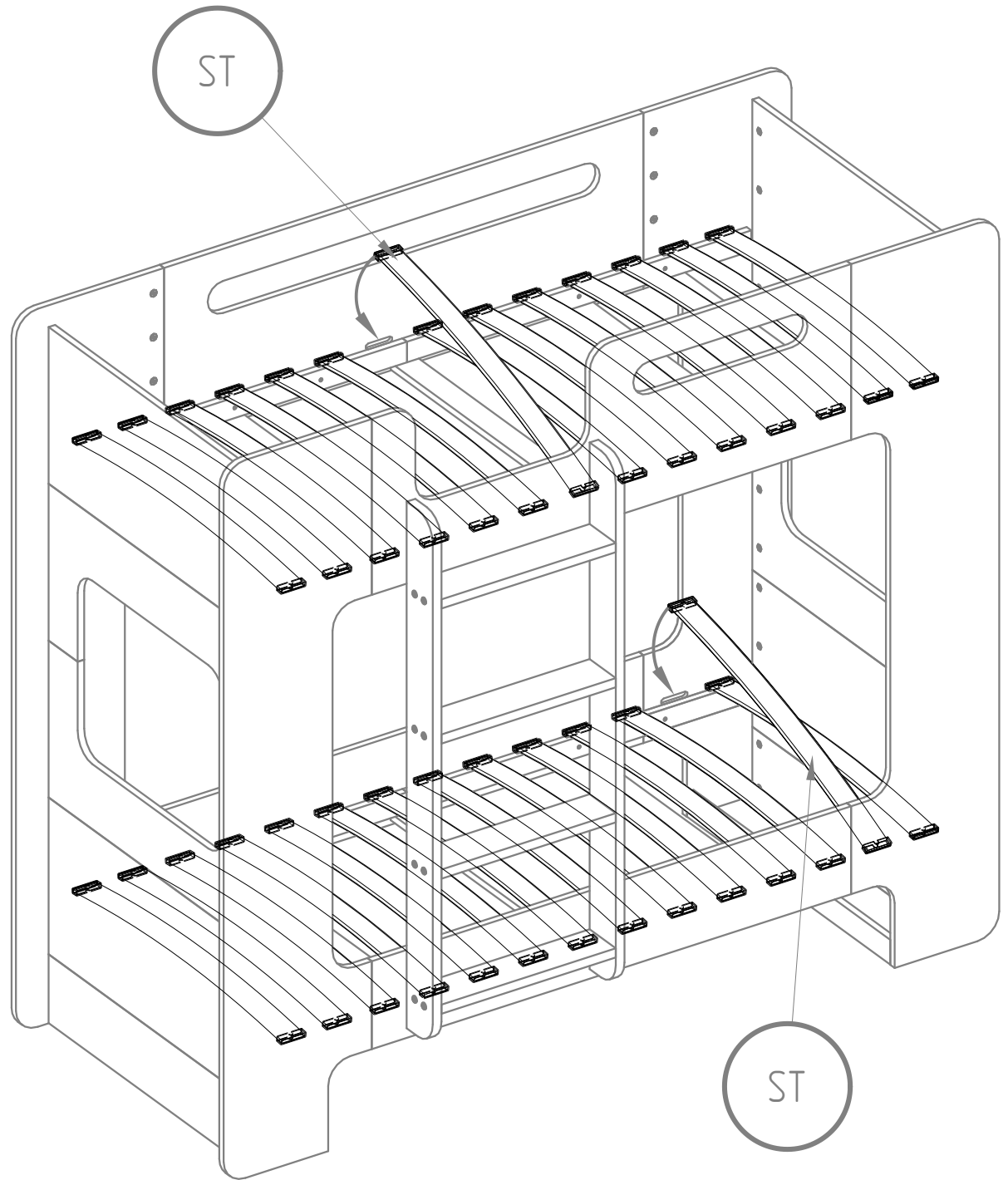
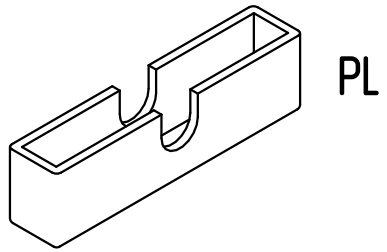
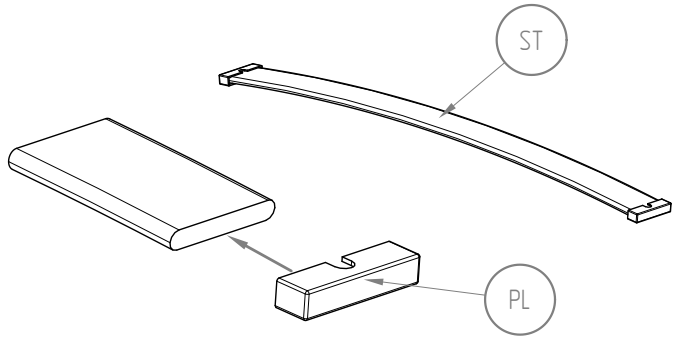
W25 M4X25



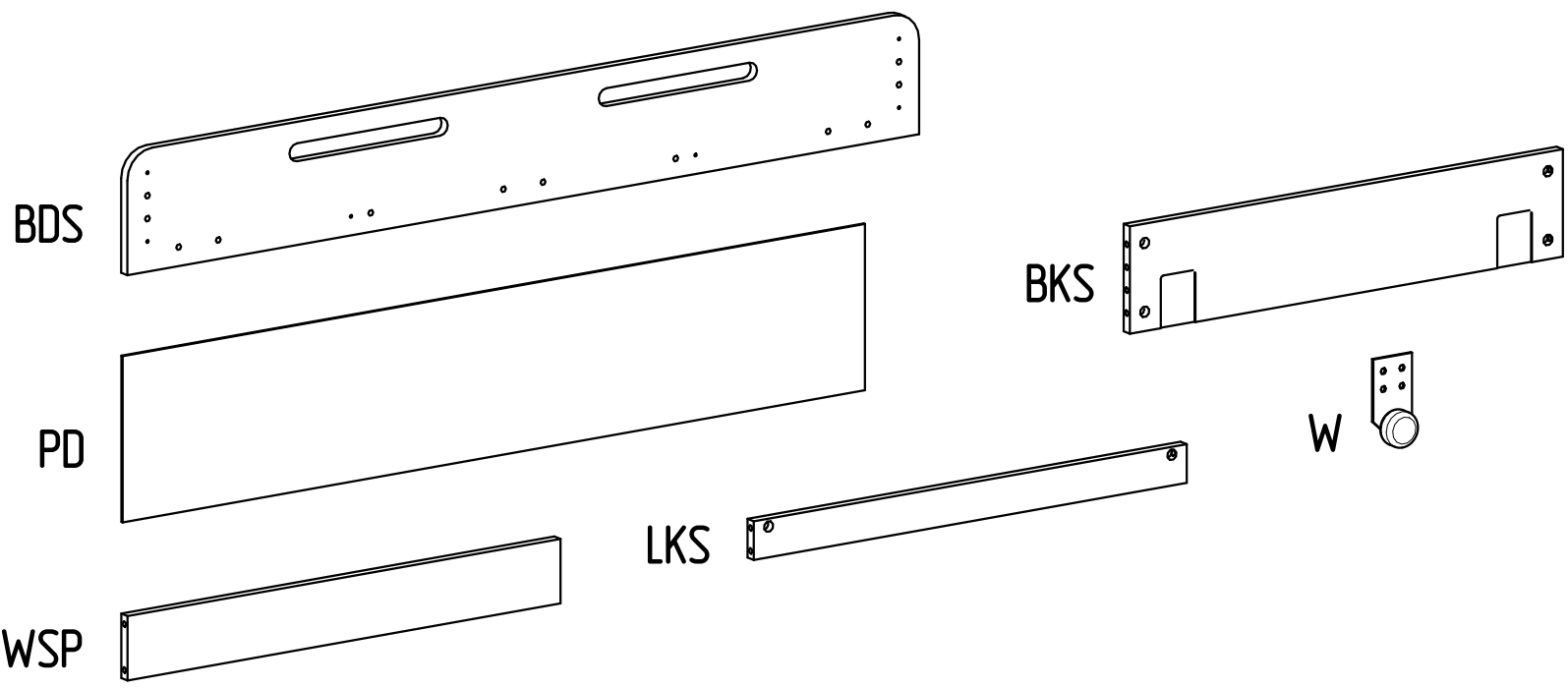
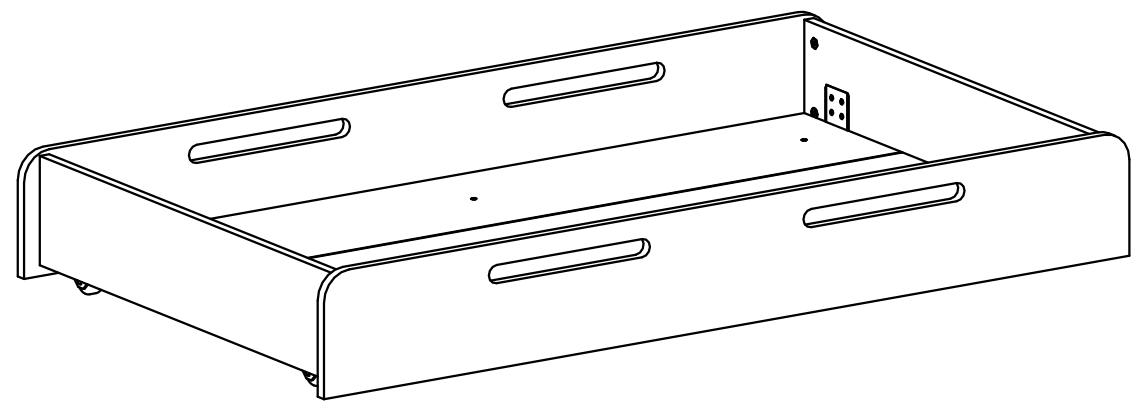
10

Important!

Install the plastic caps before assembling the ST spring slats to the bed frame.



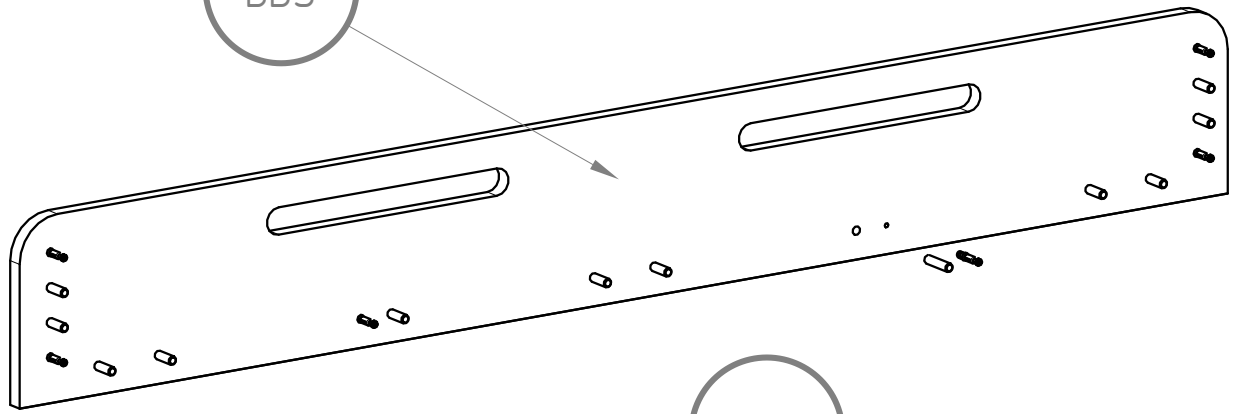
DRAWER



MIMI D	
BDS	x2
BKS	x2
PD	x3
WSP	x3
LKS	x2
W	x4

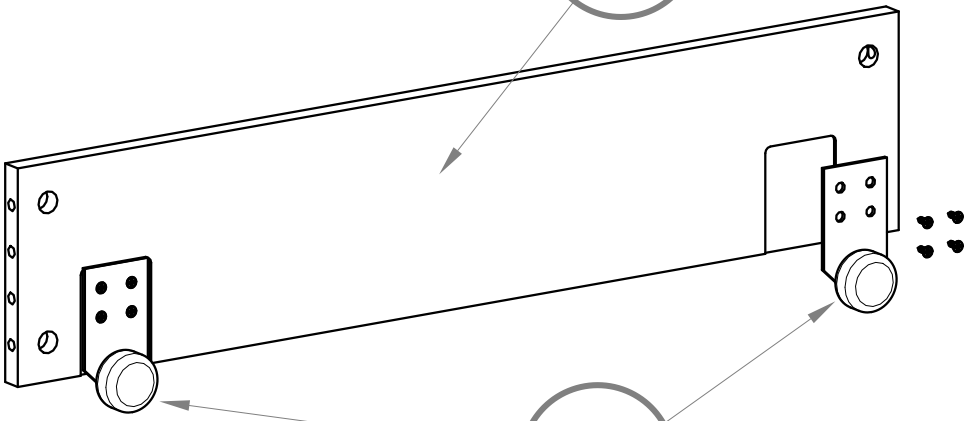
x2

BDS

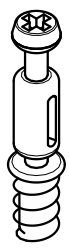


x2

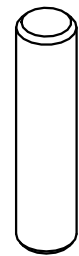
BKS



W



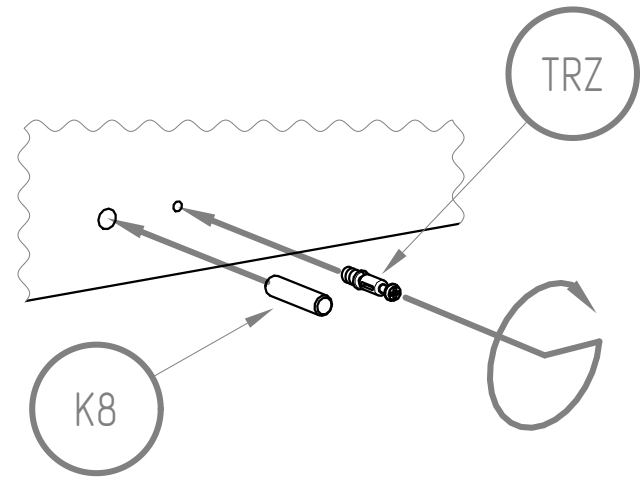
TRZ M5X35



K8 M8X35

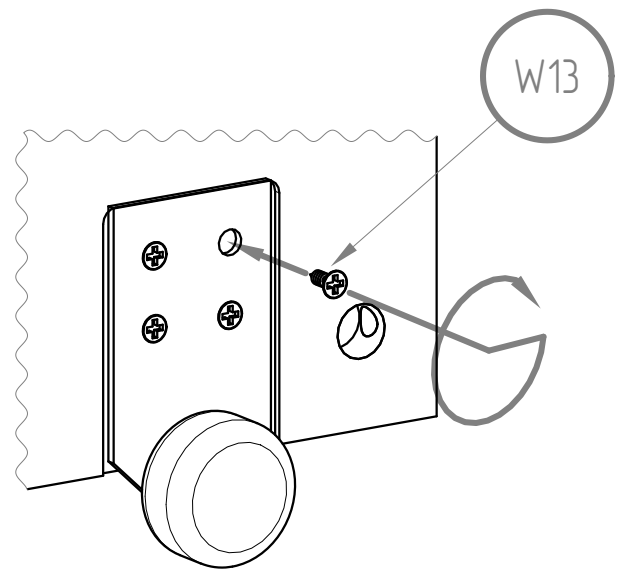


W13 M4X13

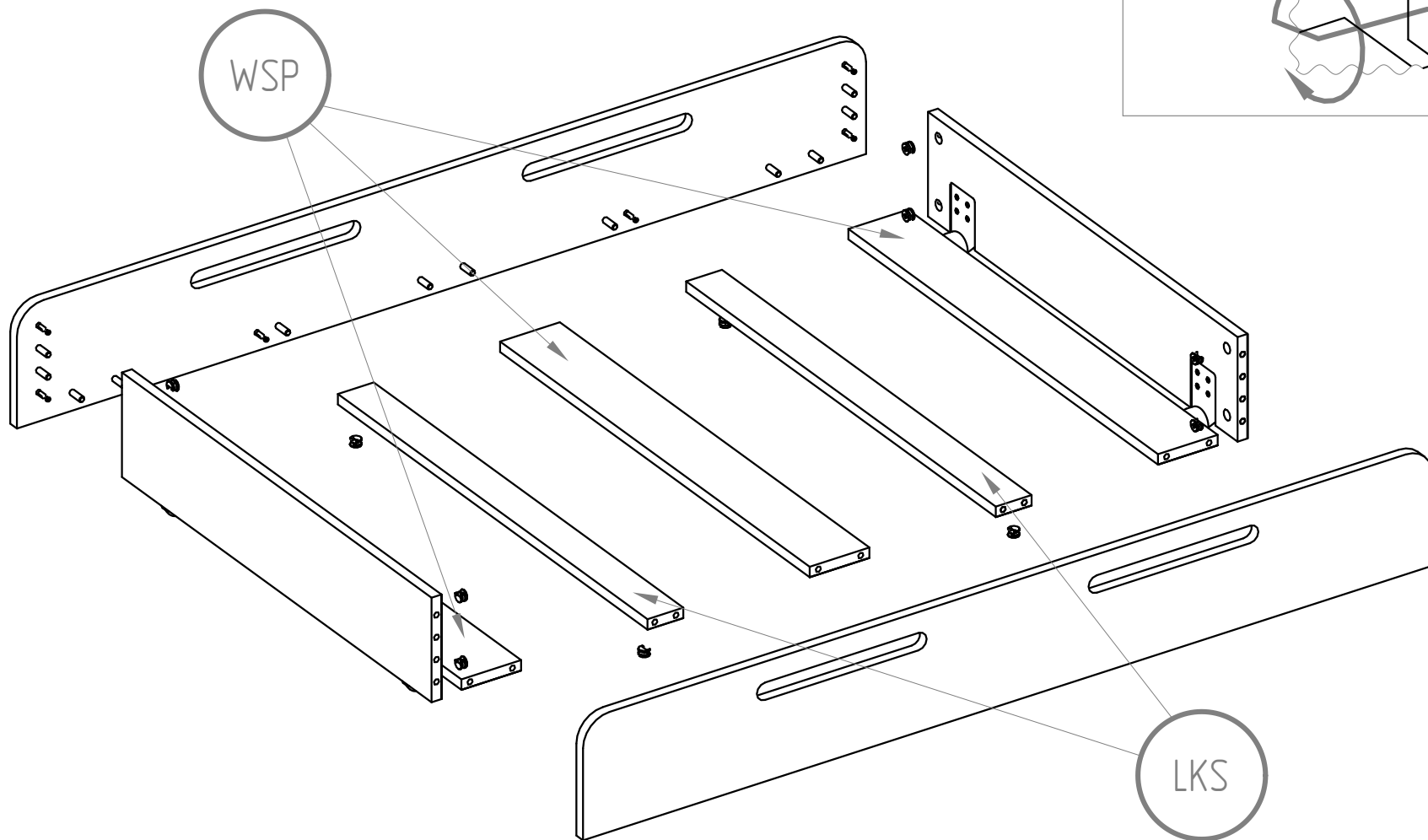
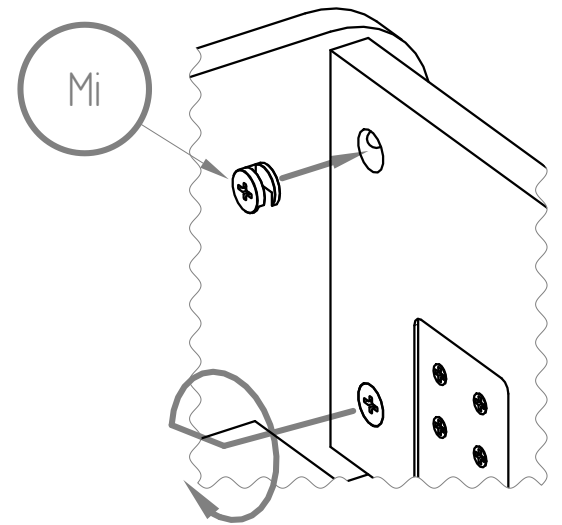
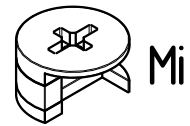
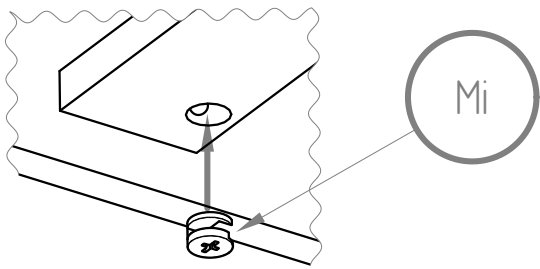


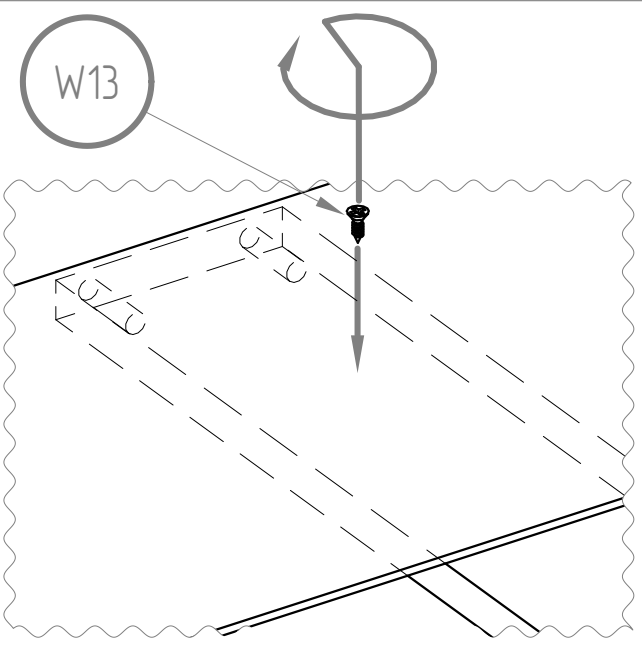
TRZ

K8



W13





W13 M4X13

