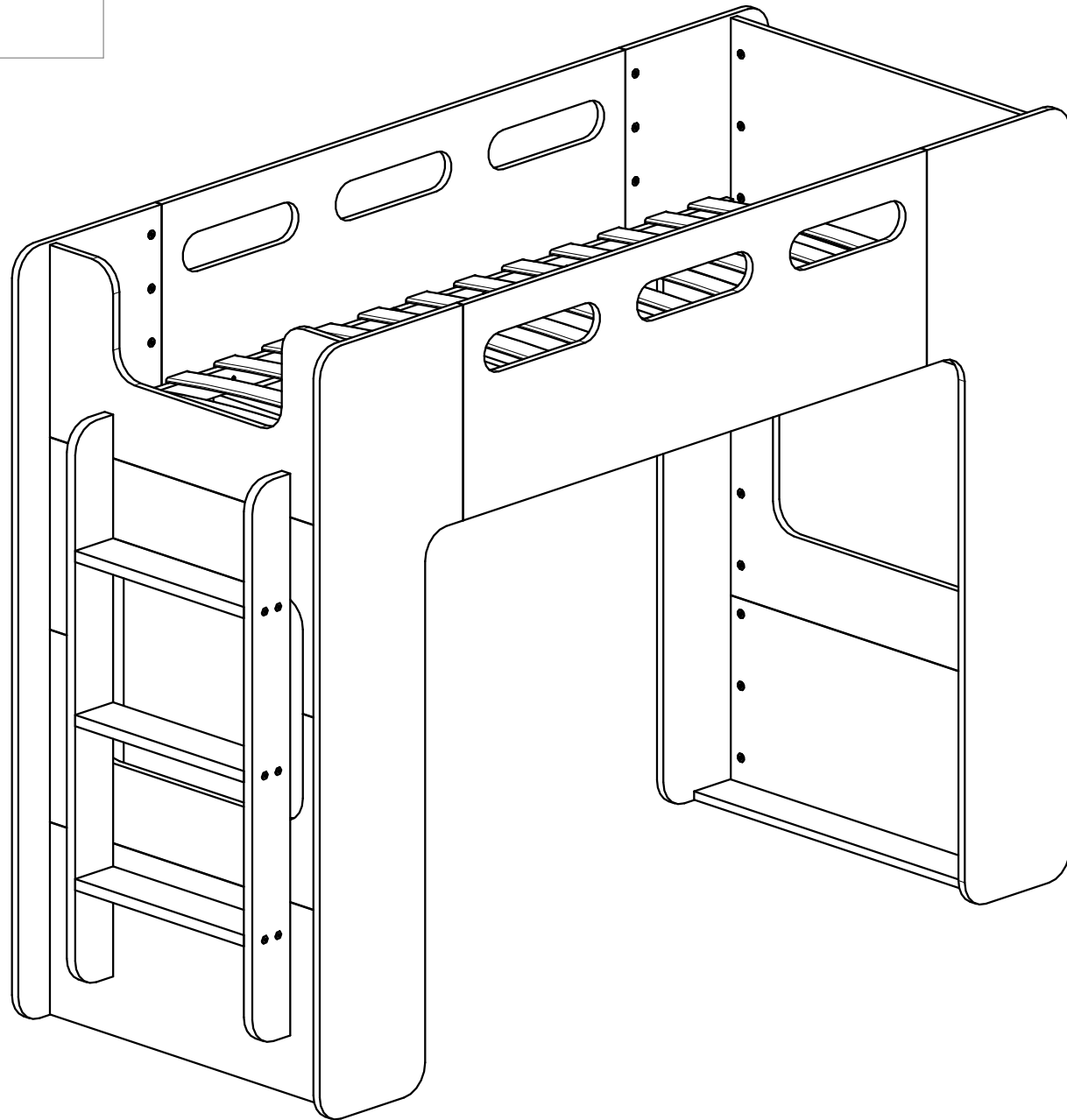
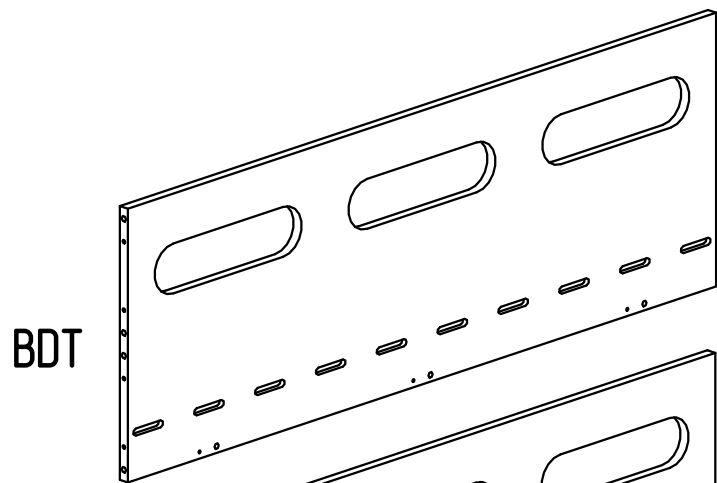
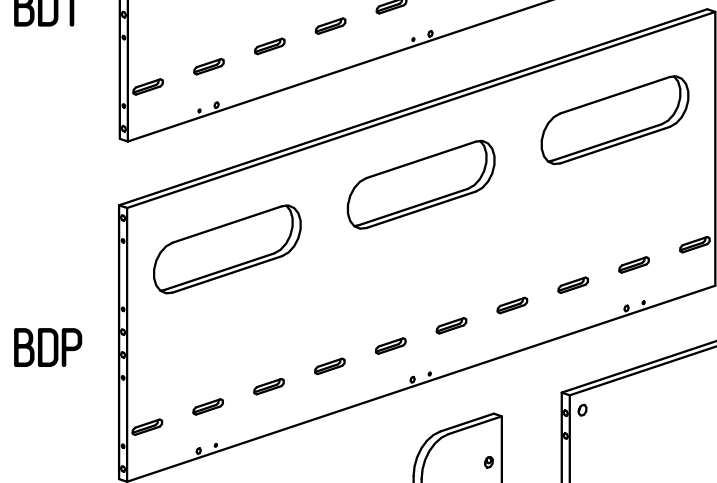


MIMI A

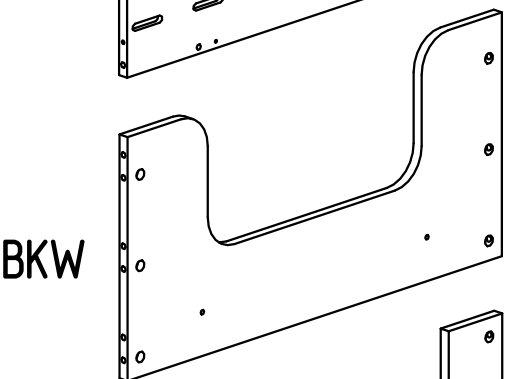




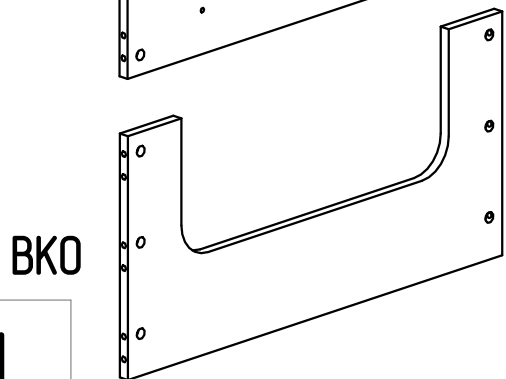
BDT



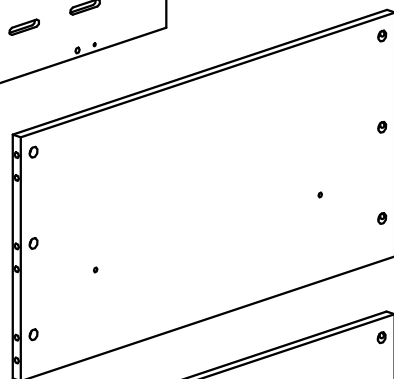
BDP



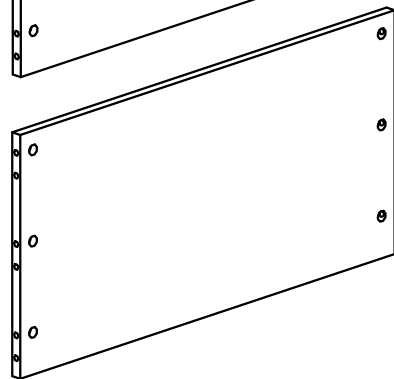
BKW



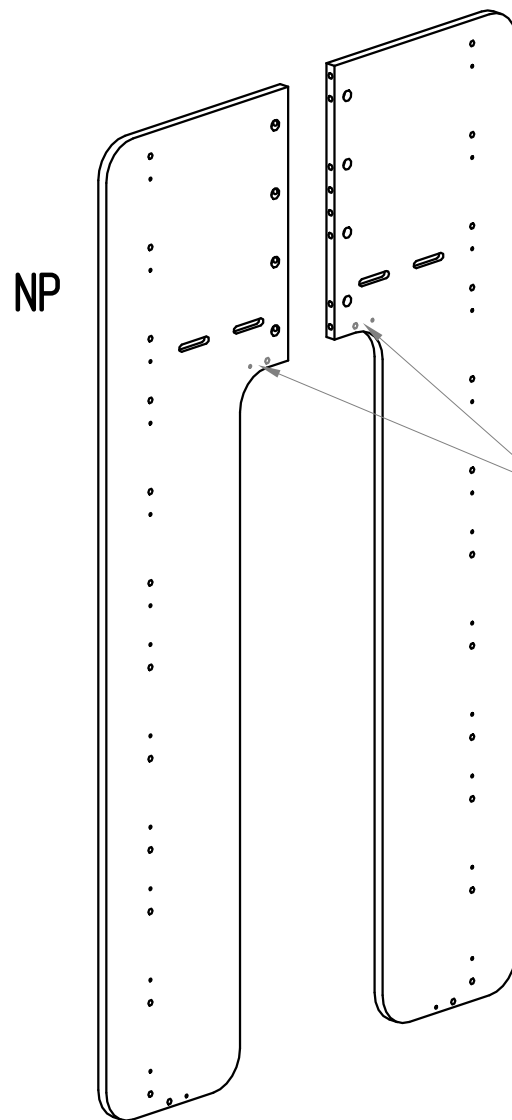
BKO



BKZ



BKP



NP

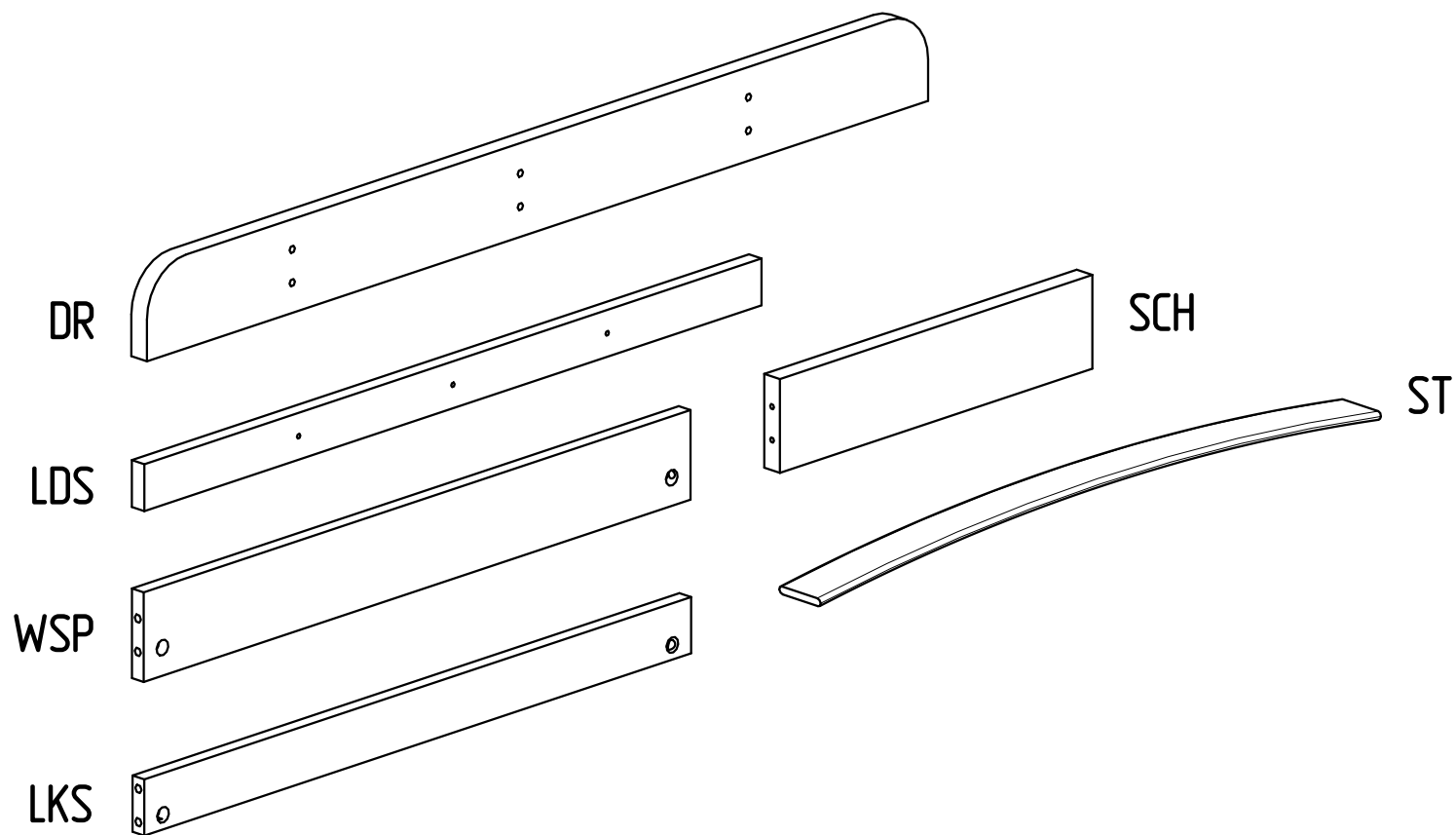
NL

These holes
only for size 100cm

MIMI A

BDT	x1
BDP	x1
BKW	x1
BKO	x4
BKZ	x1
BKP	x2
NP	x2
NL	x2

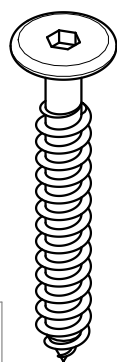
1



MIMI A	
DR	x2
LDS	x4
WSP	x2
LKS*	x3/x5
SCH	x3
ST	x12-16
NP	x2
NL	x2

*5x LKS – only for size 100

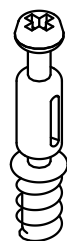
2



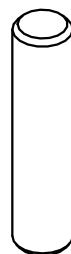
S50 M6X50



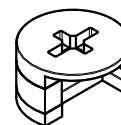
W25 M4X25



TRZ M5X35



K8 M8X35

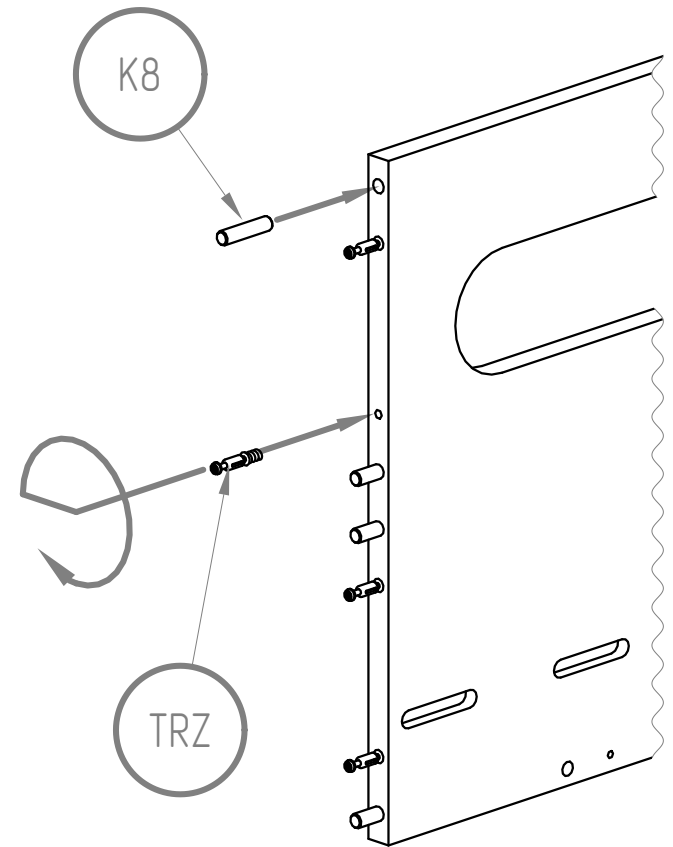
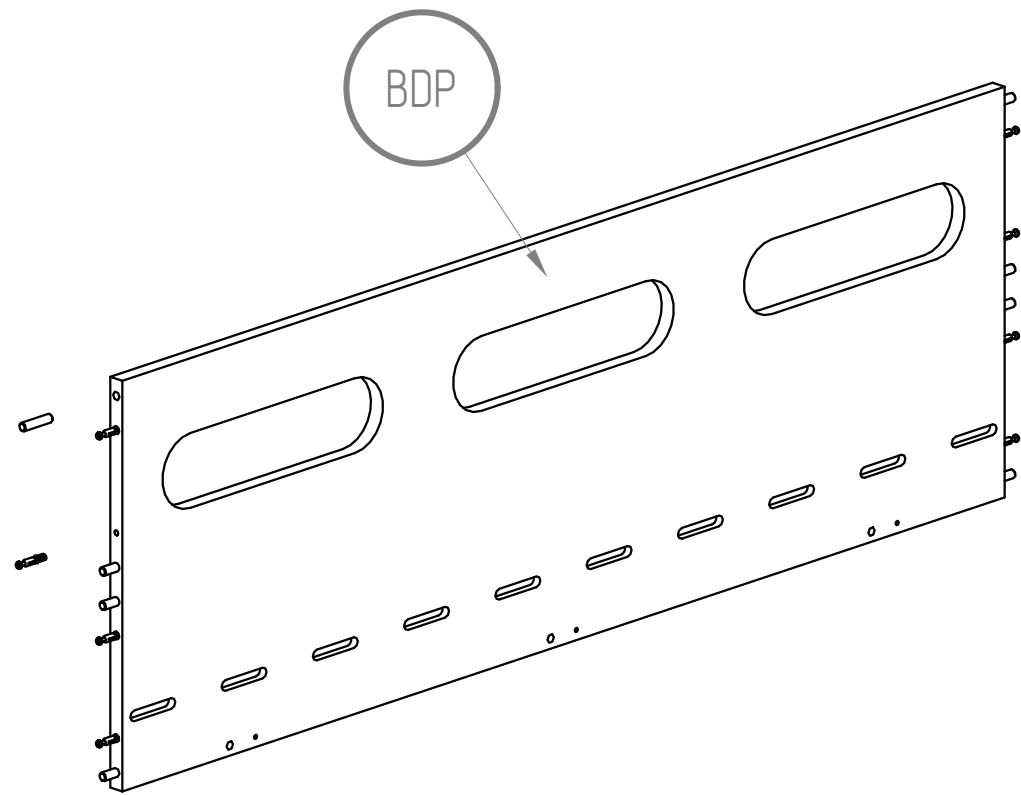
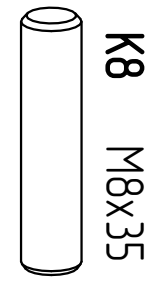
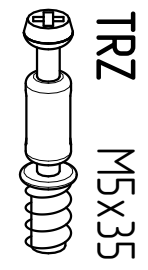


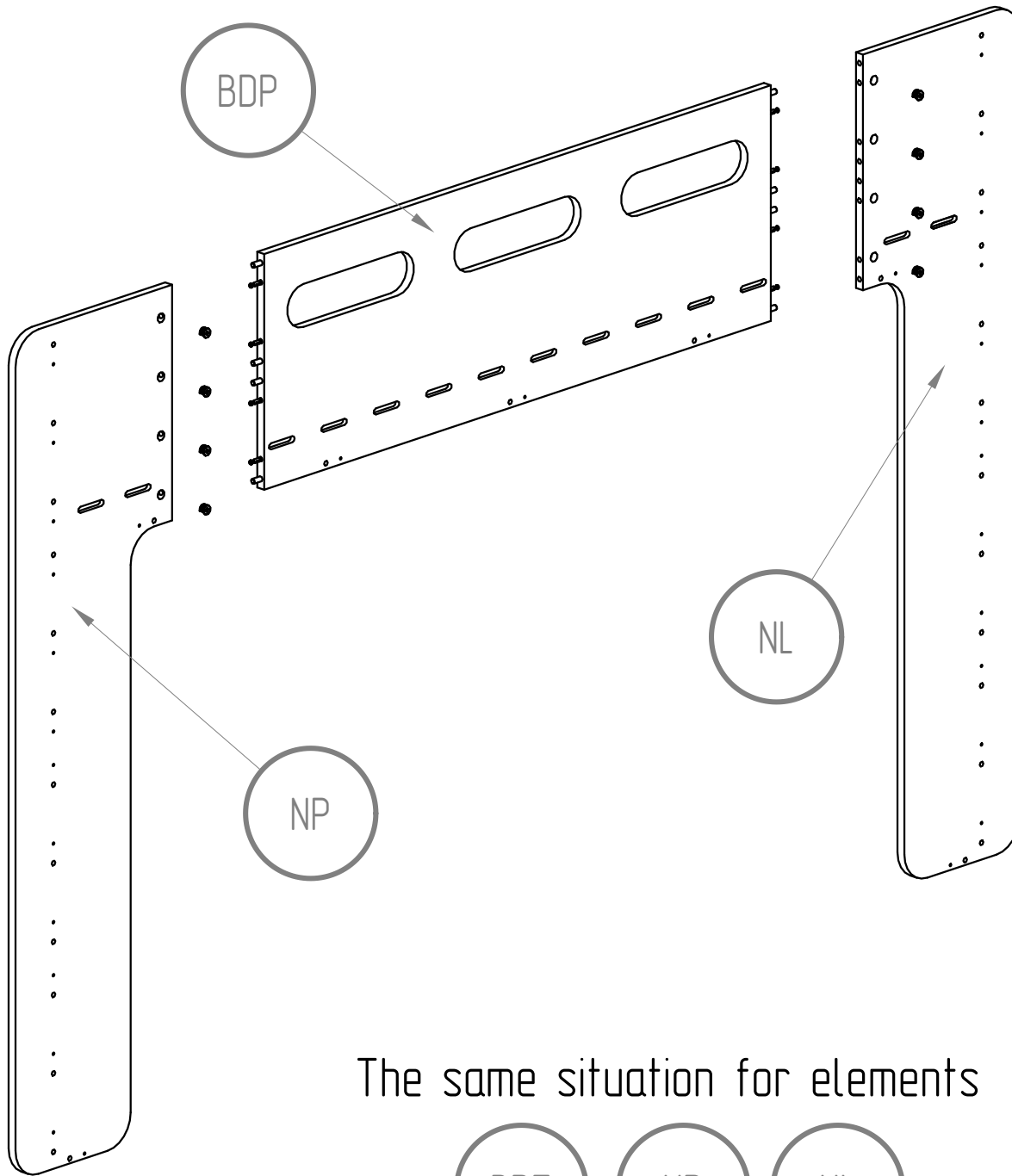
Mi

SCREWS	
S50	x16
W25	x12
TRZ	x74
K8	x74
Mi	x74

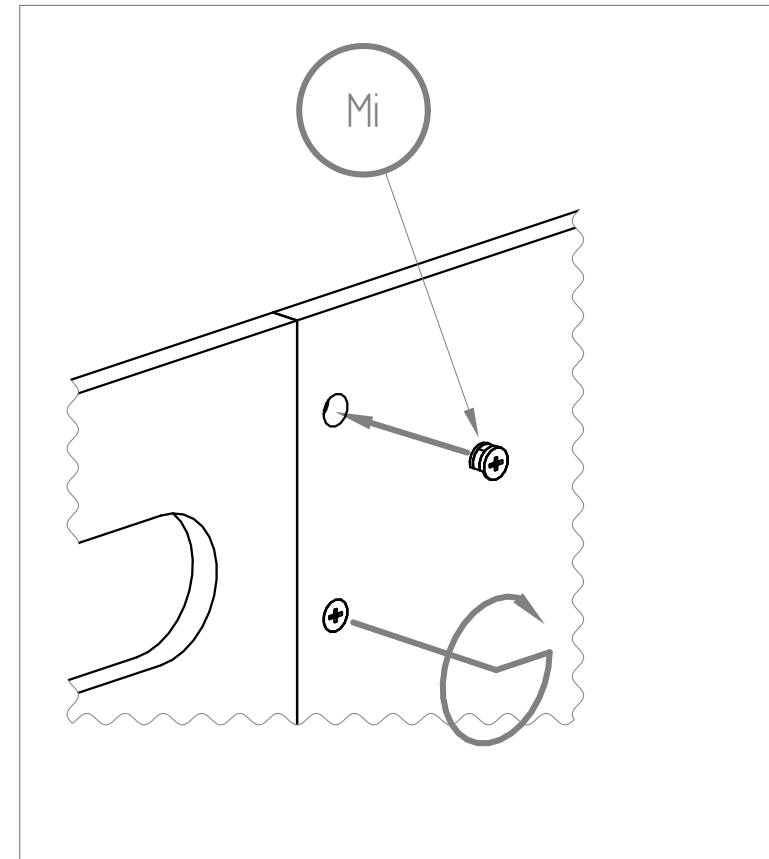
The same situation for element

BDT

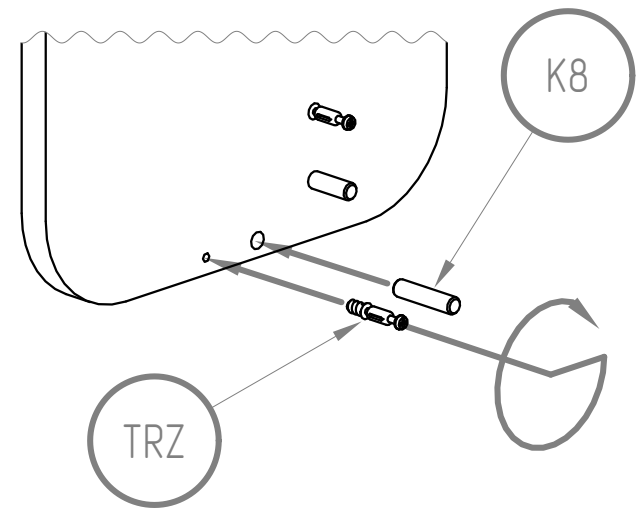
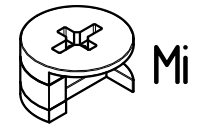
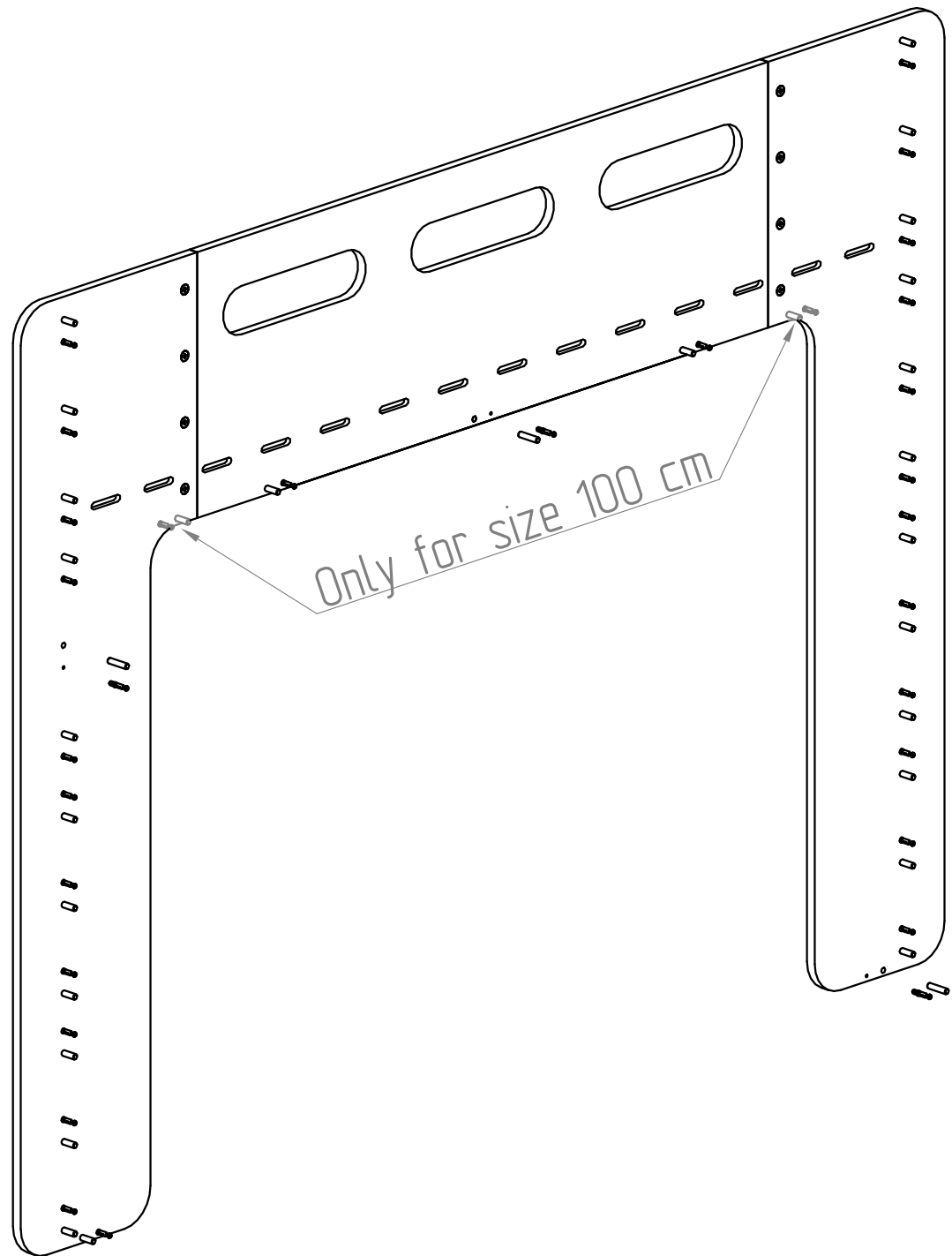




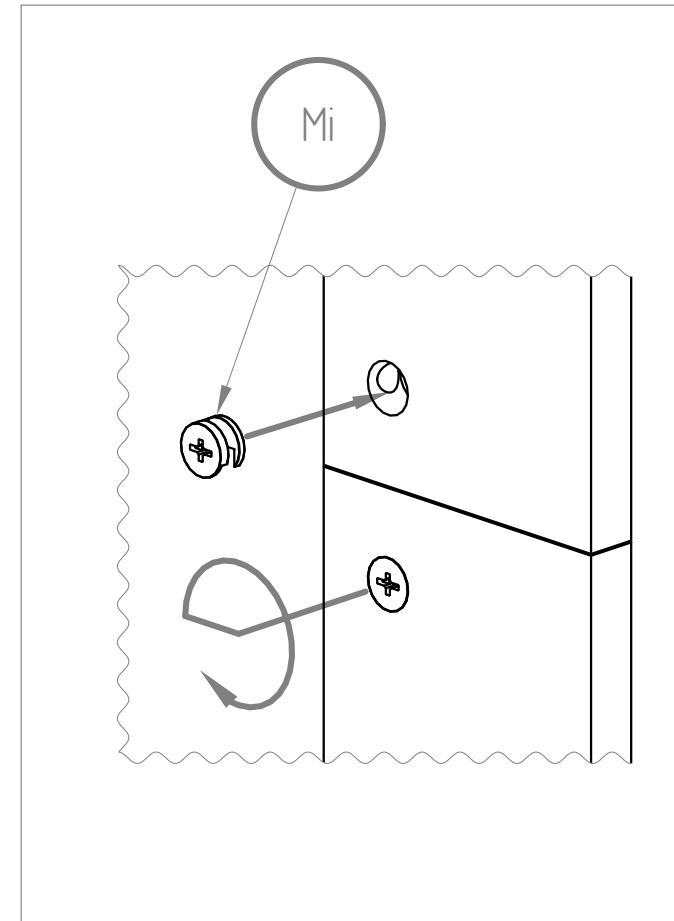
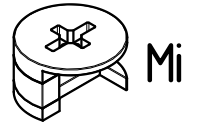
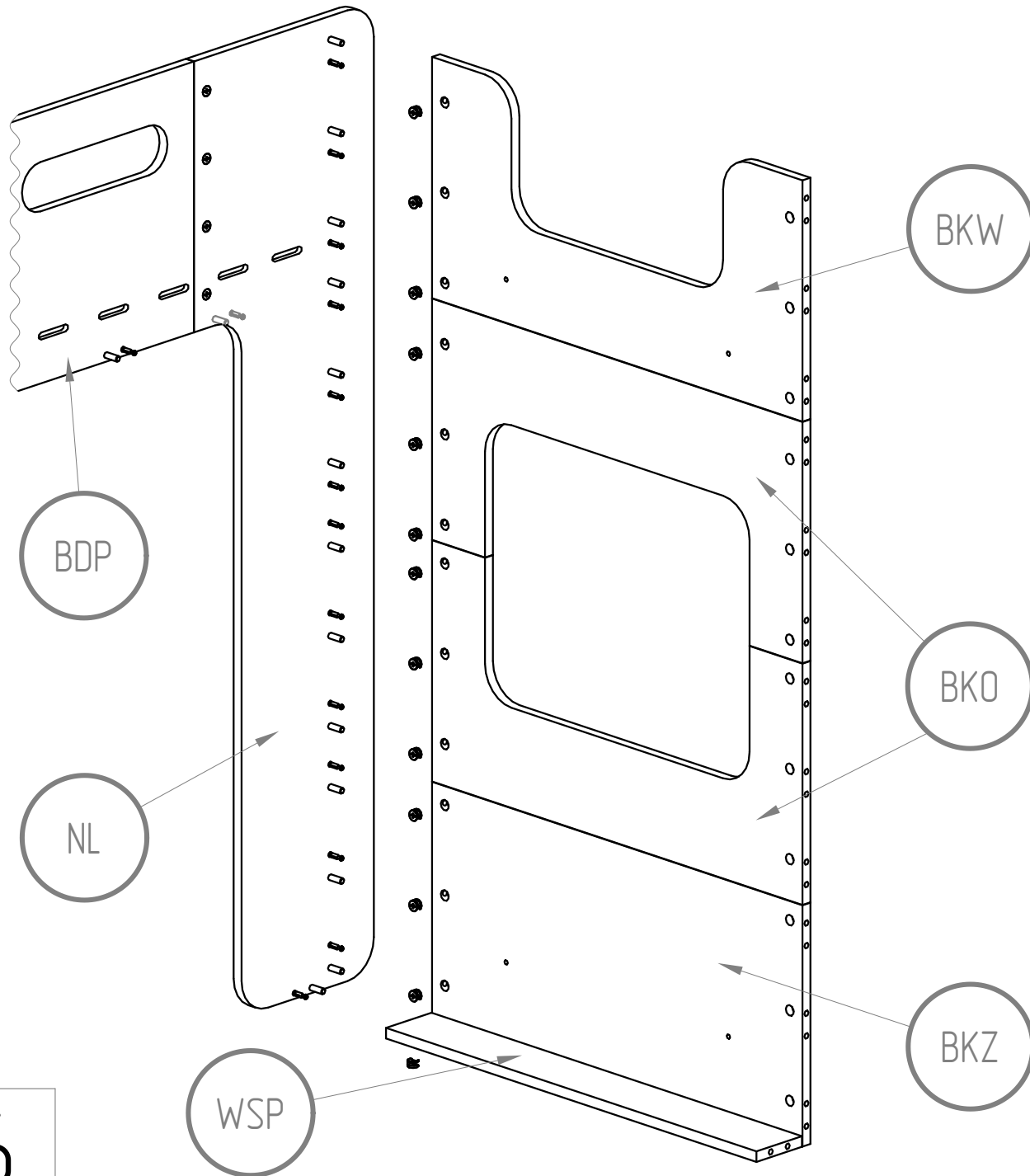
The same situation for elements

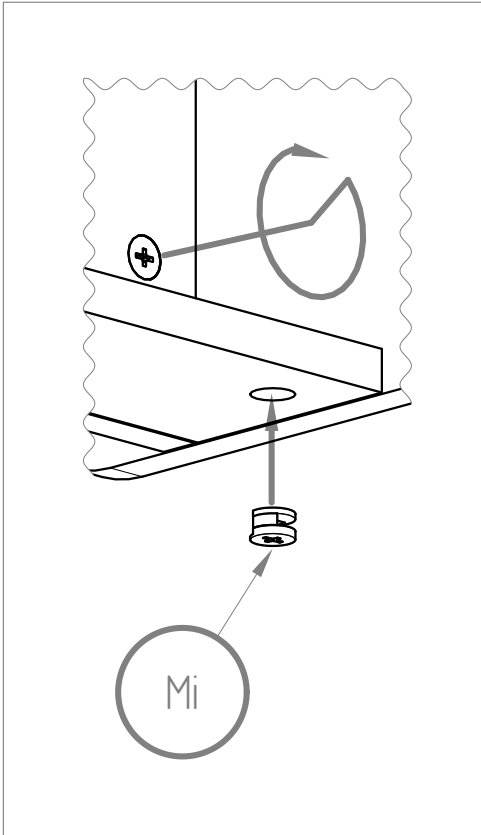
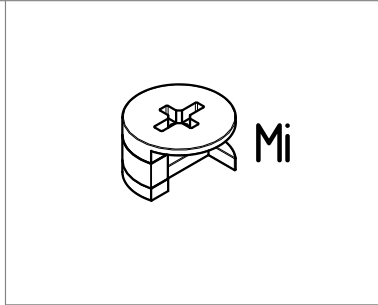
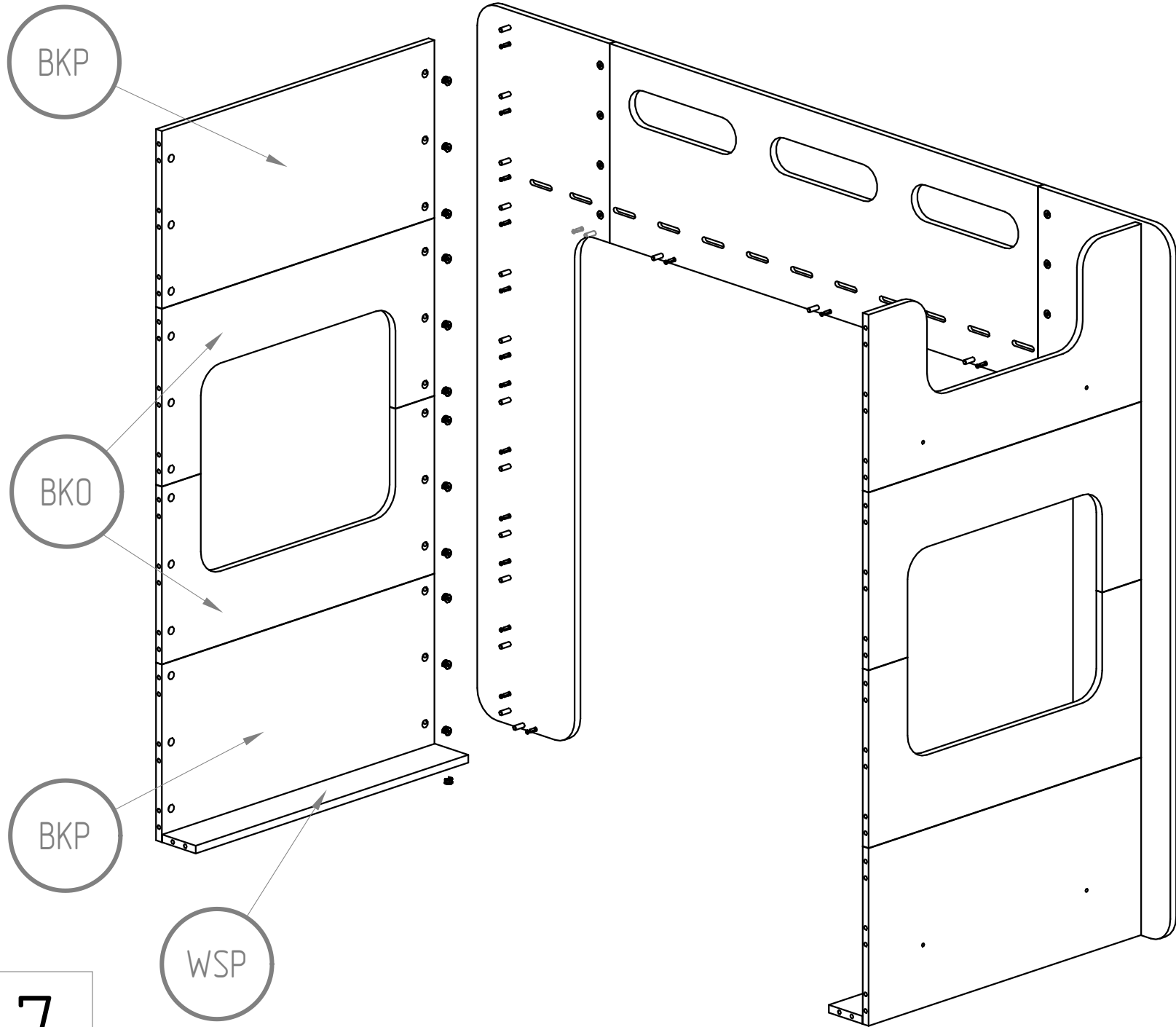


5



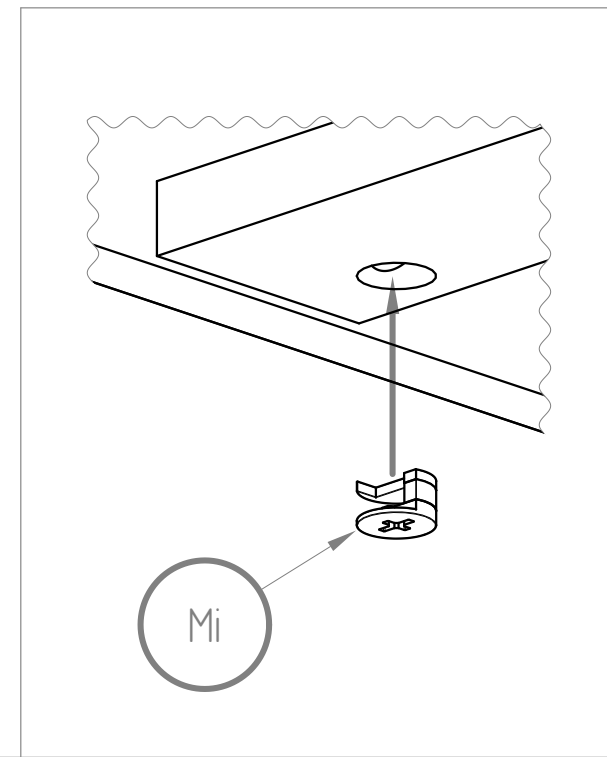
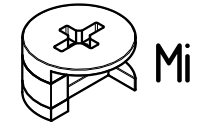
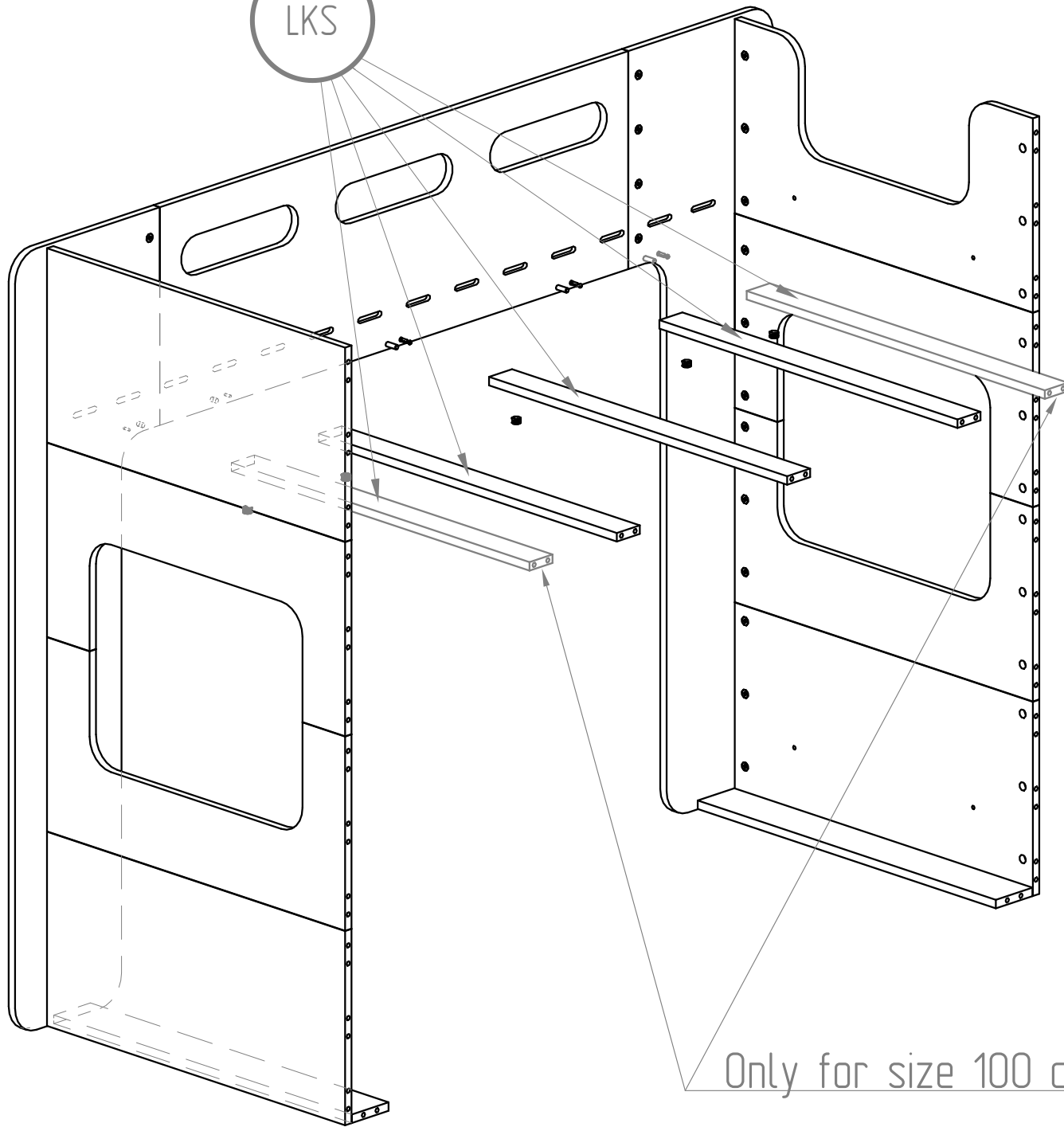
6





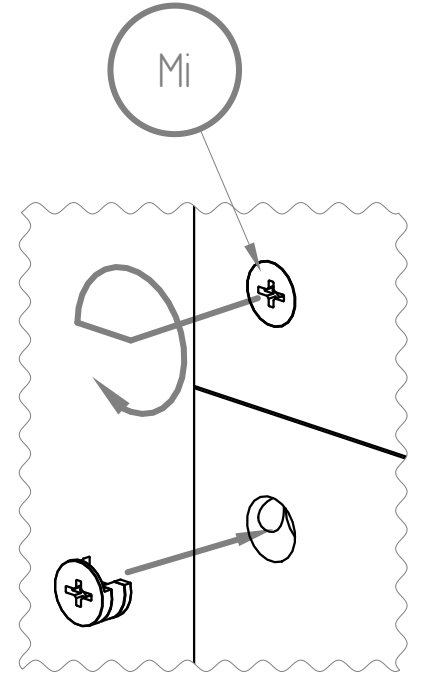
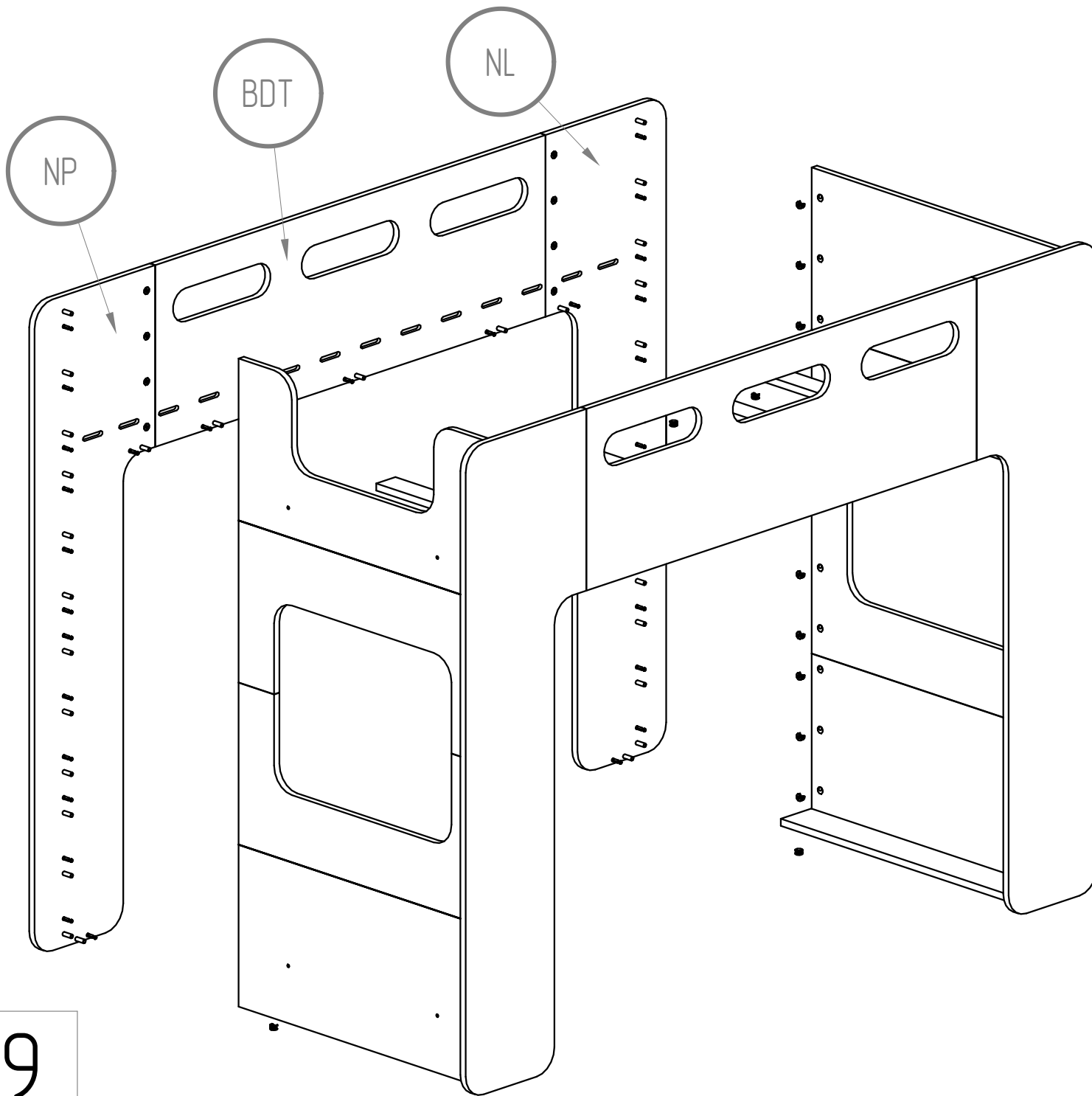
7

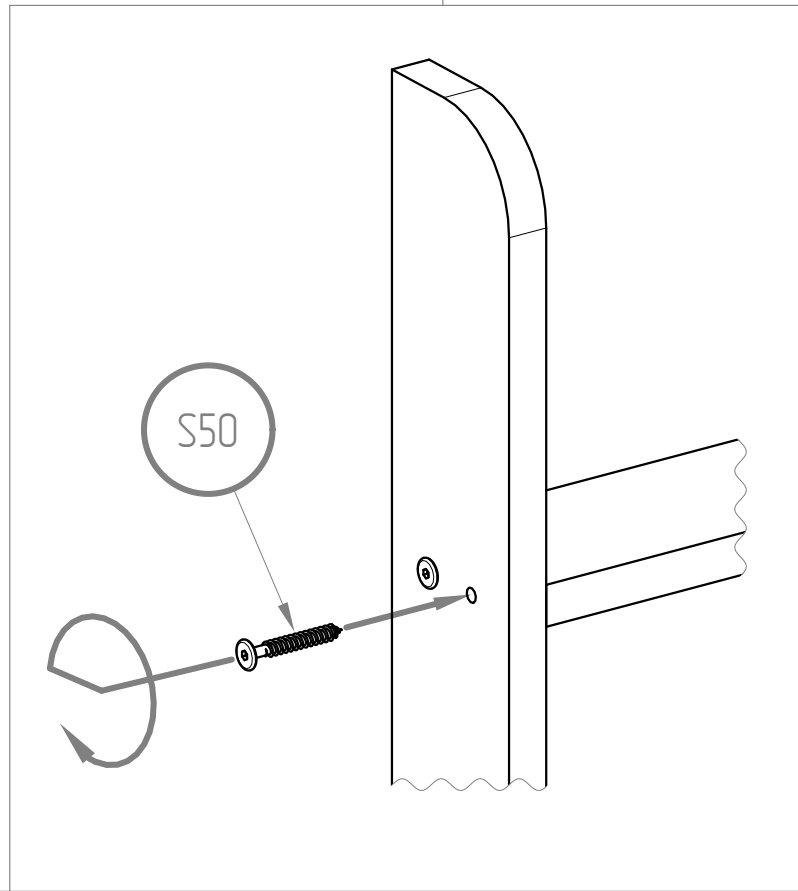
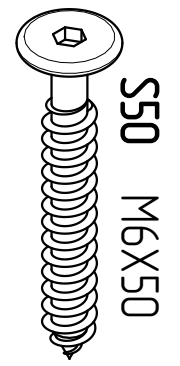
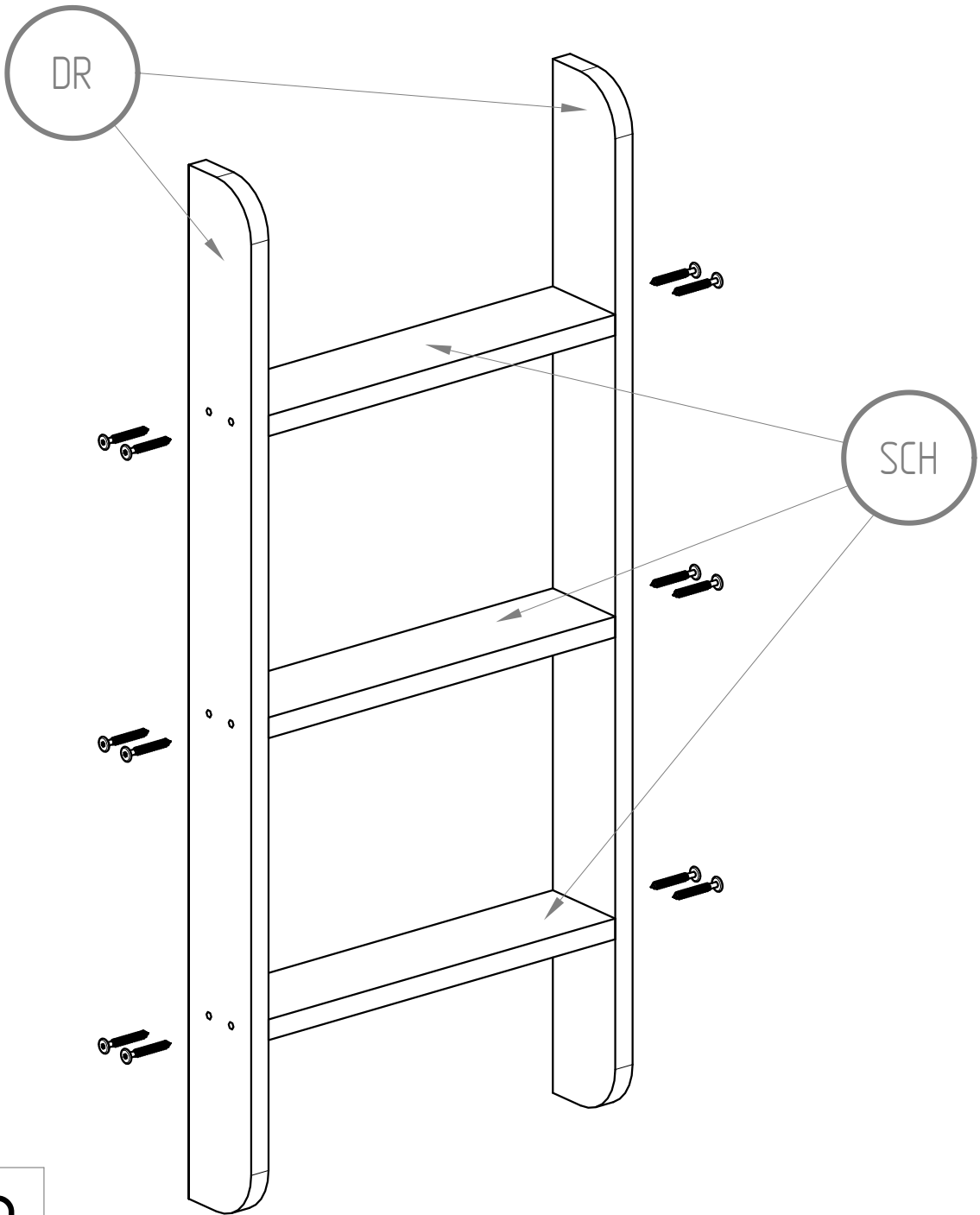
LKS

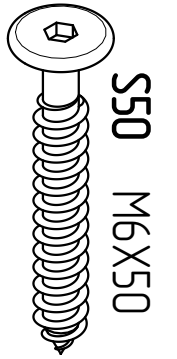
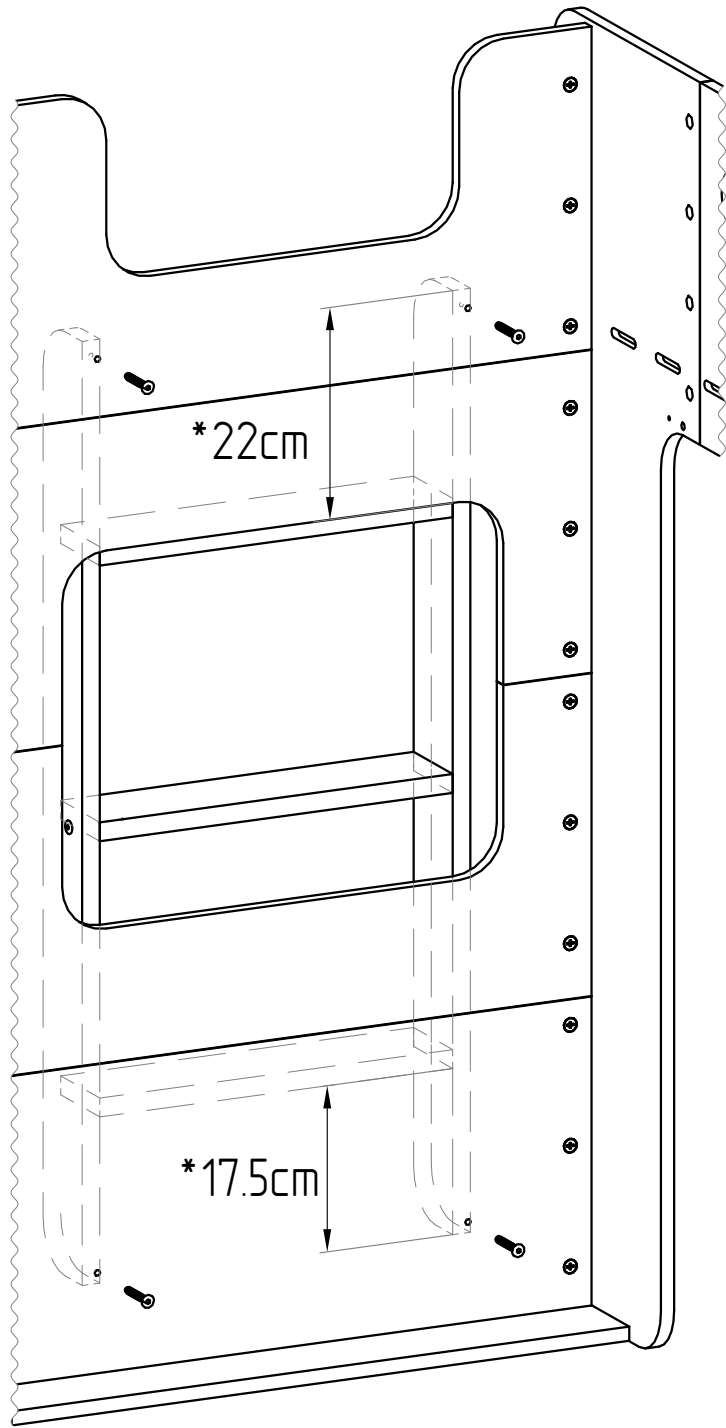


Only for size 100 cm

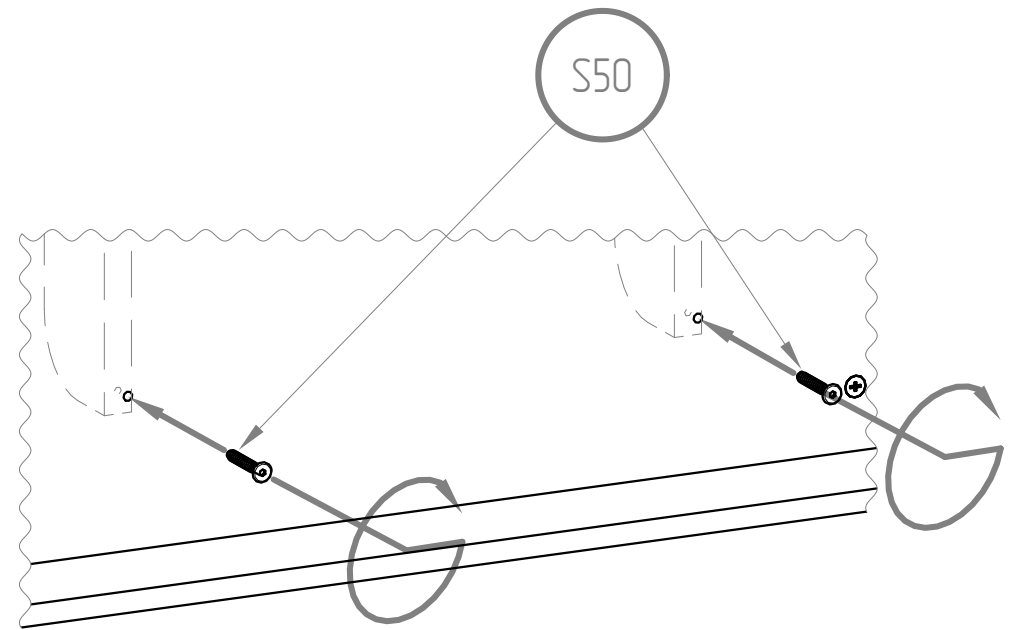
8

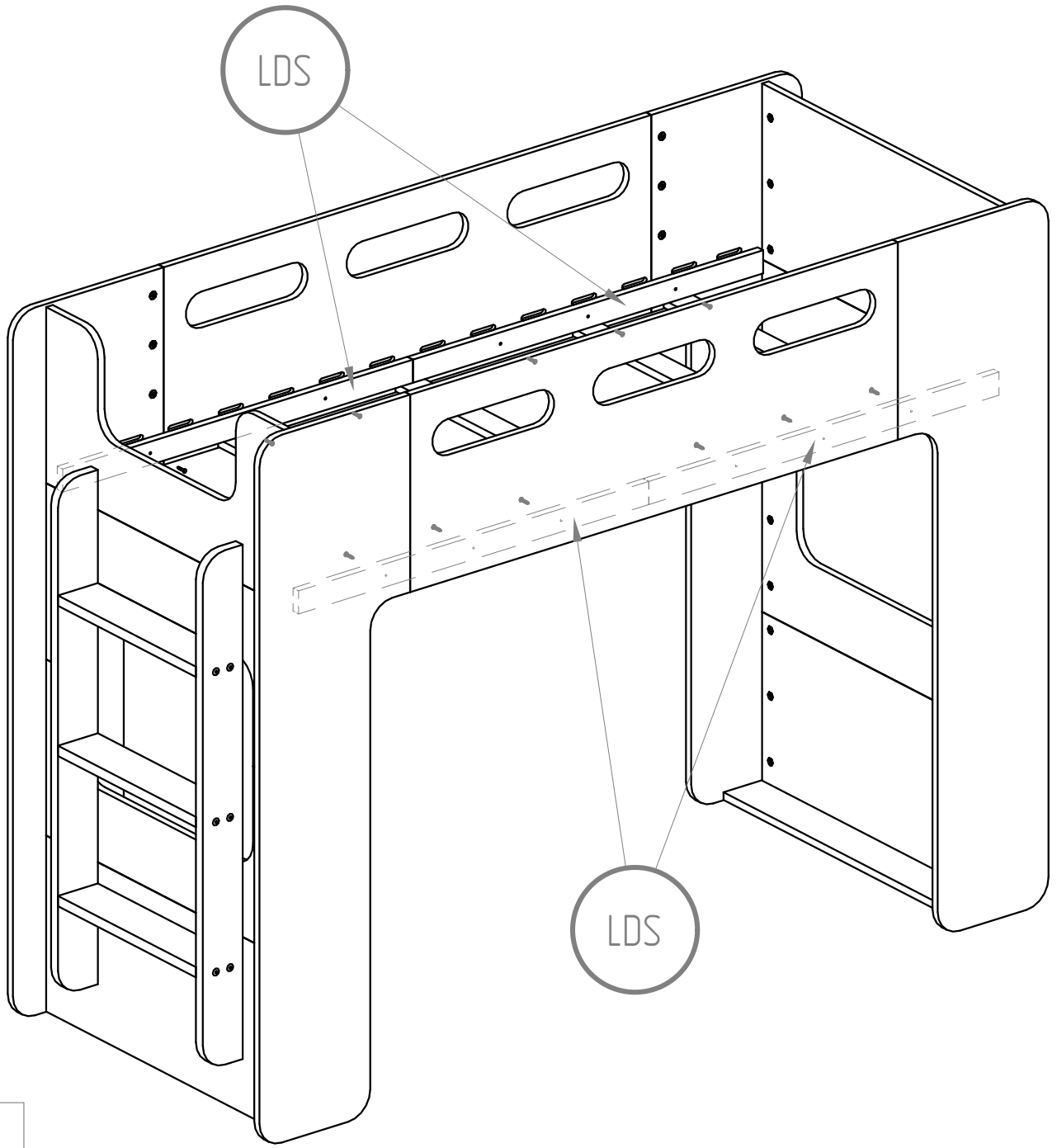




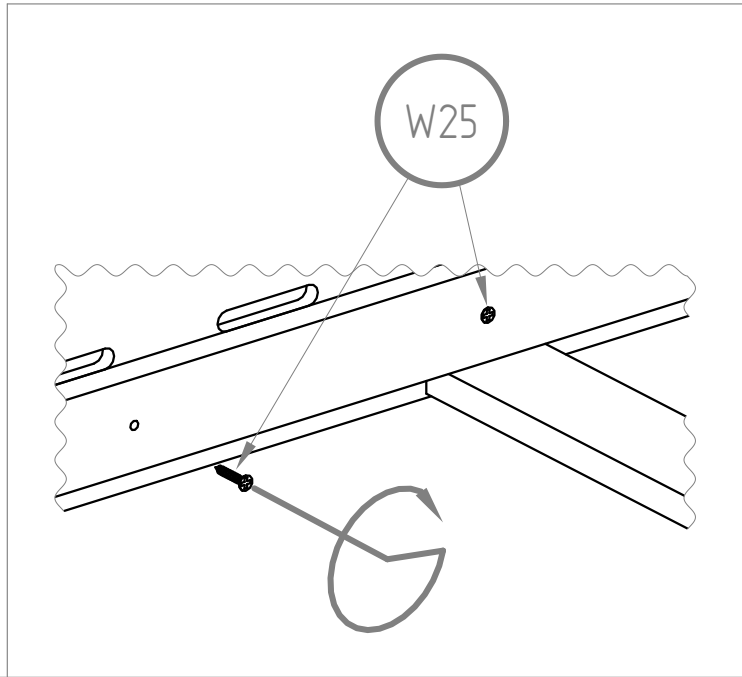


*** IMPORTANT!**

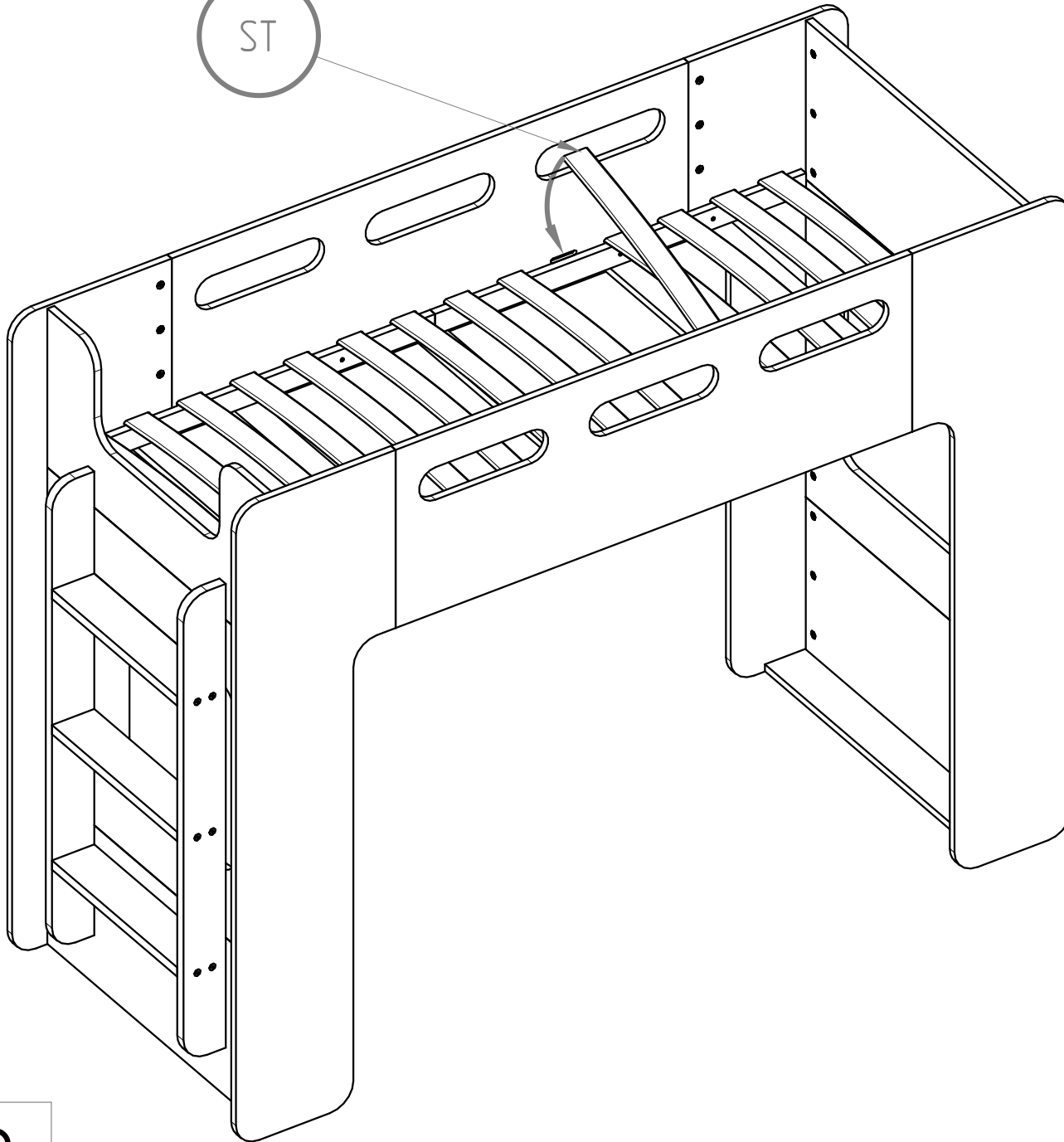




W25 M4X25

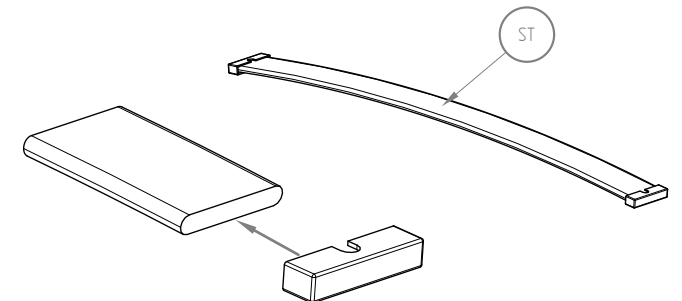



ST



Important!

Install the plastic caps before assembling the ST spring slats to the bed frame.



IMPORTANT



Beds are for sleeping,
not for jumping

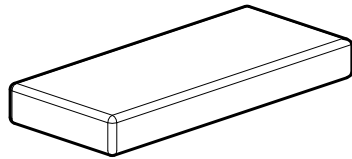
Prohibit more than
one person on bed



UPPER BED

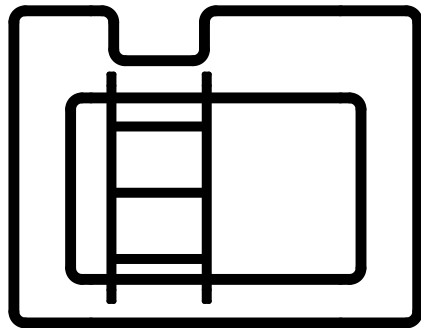


LOWER BED



Use only mattresses
with thickness of 8-12 cm

Bed parts have 2 years
warranty in normal use



Use the ladder to get in and out of the upper bed
Do not hang on structural elements
Design and execution in accordance with the standard
PN-EN 747-1+A1:2015-08

Wooden parts should be cleaned with a dry cloth and ordinary
mild detergents for the care and cleaning of wooden parts