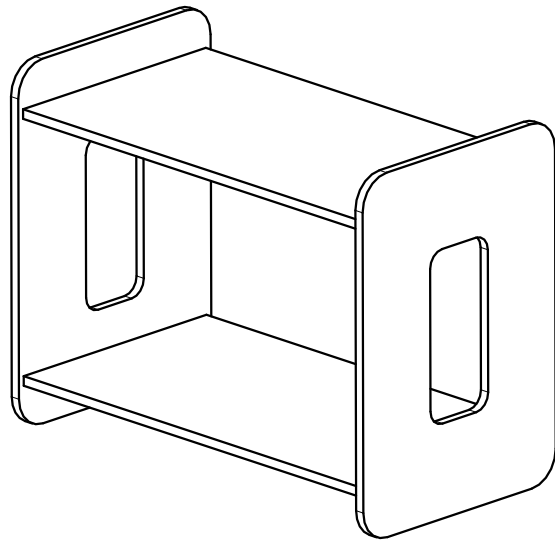


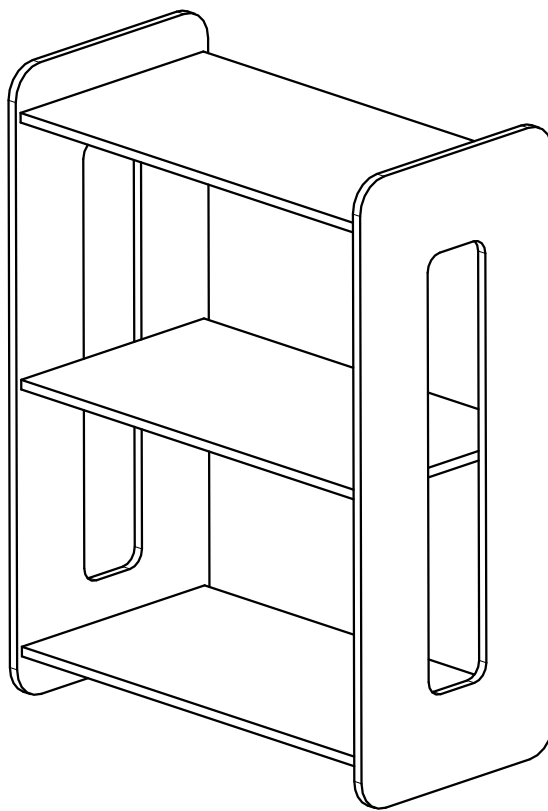
DRONE RG

S



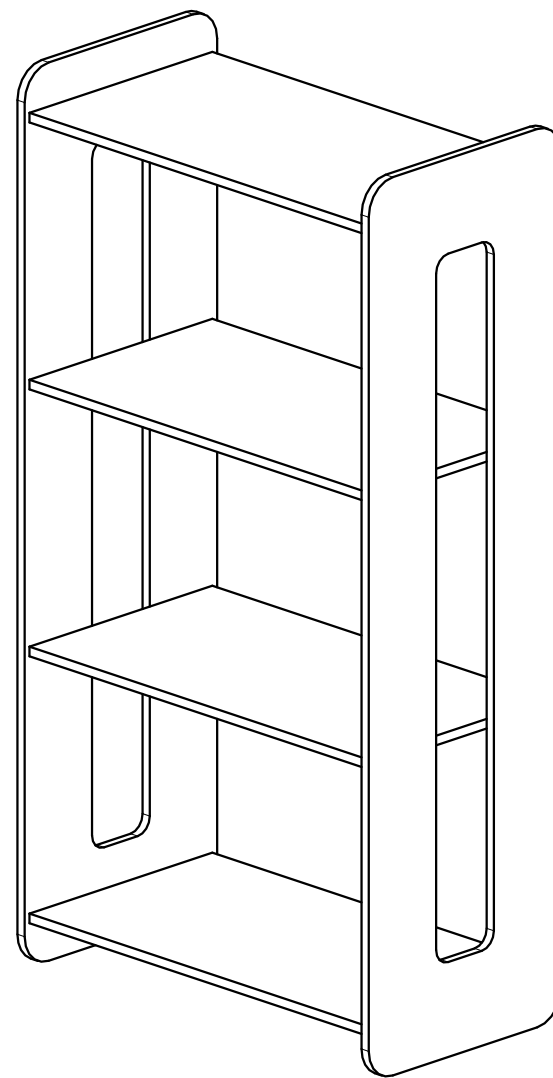
SMALL

M



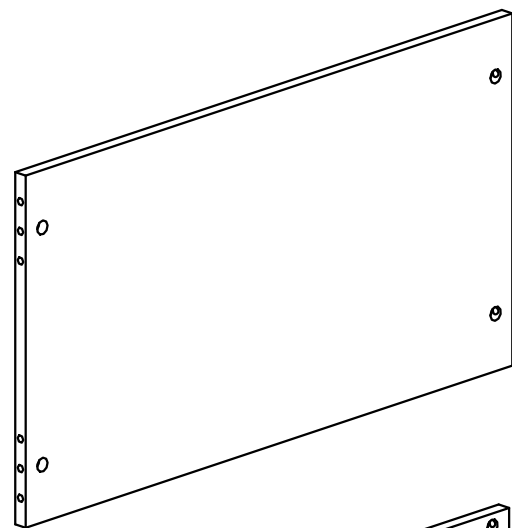
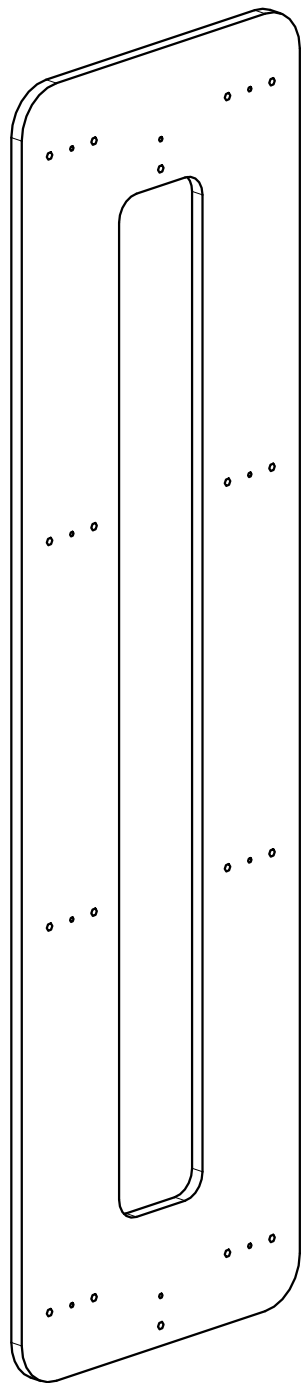
MEDIUM

L

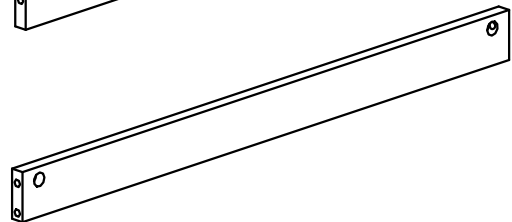


LARGE

BK



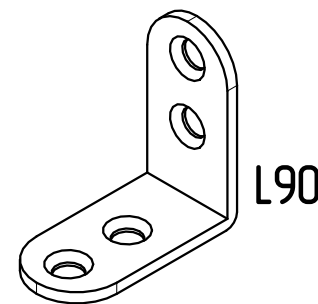
PK



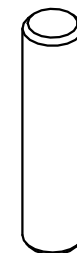
WSP

DRONE	RG	S	M	L
	BK	x2	x2	x2
	PK	x2	x3	x4
	WSP	x2	x2	x2

SCREWS	
L90	x2
K8	x36
TRZ	x20
Mi	x20
W13	x4



L90



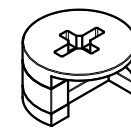
K8
M8x35



W13
M4x13

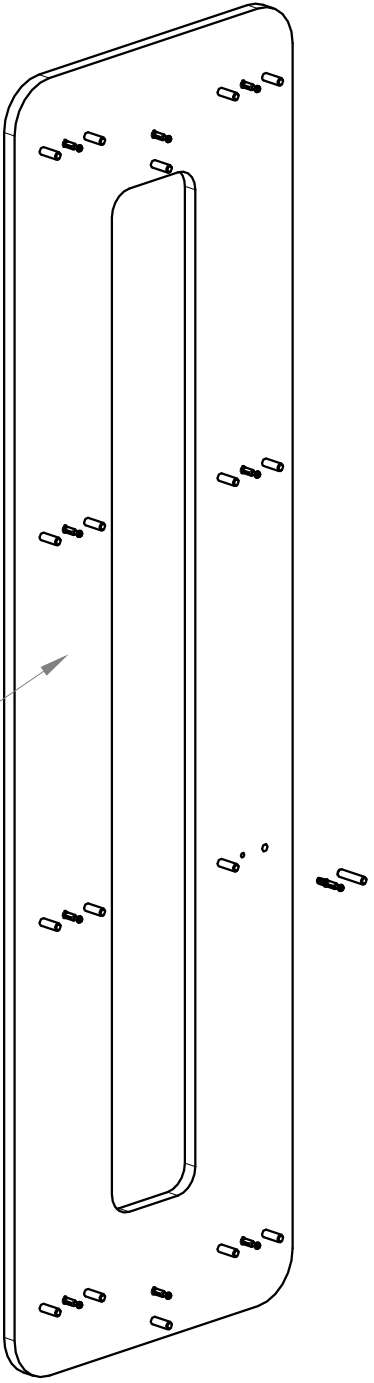


TRZ
M5x35



Mi

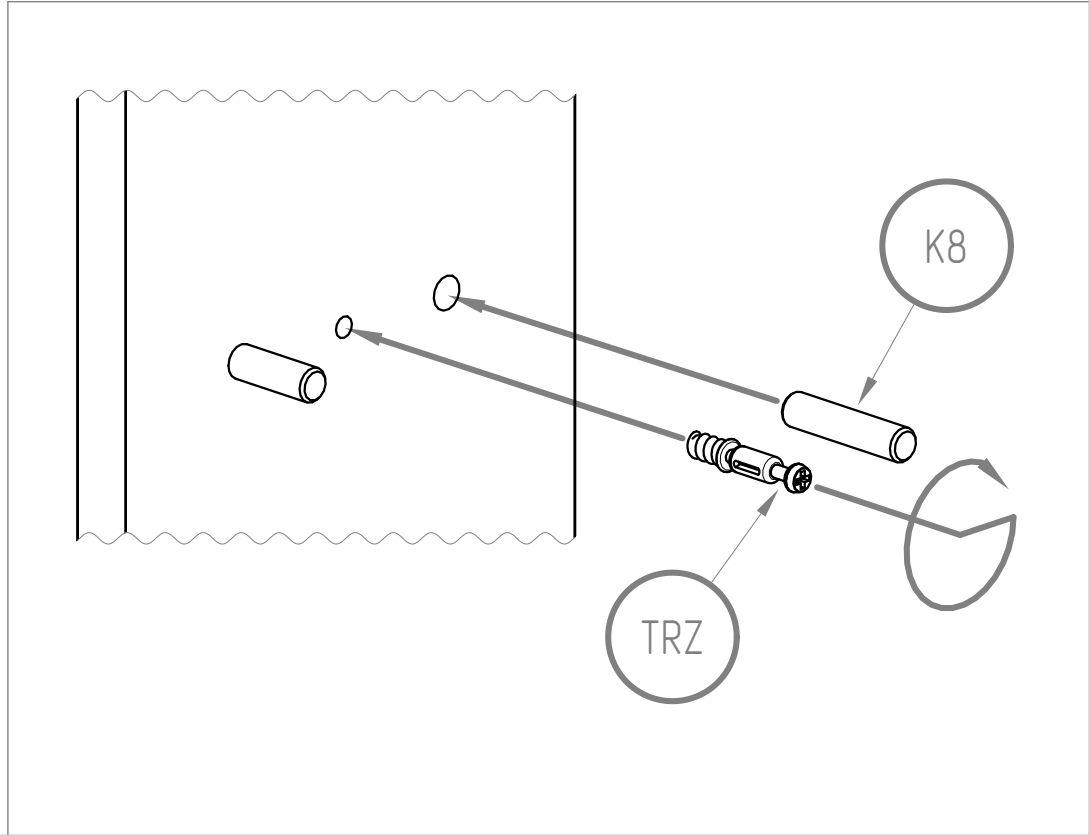
1



BK
x2

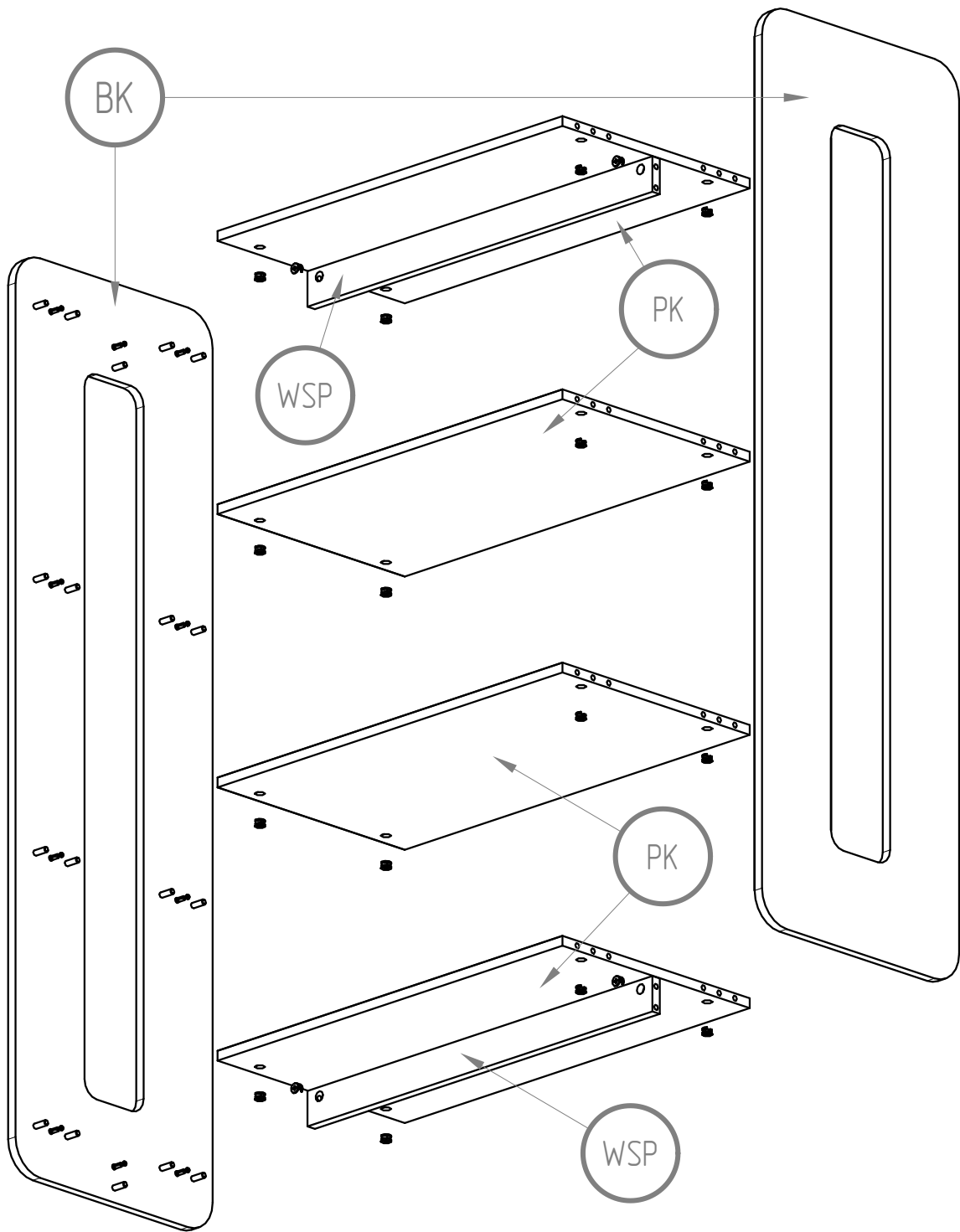
2

- K8 M8x35
- TRZ M5x35

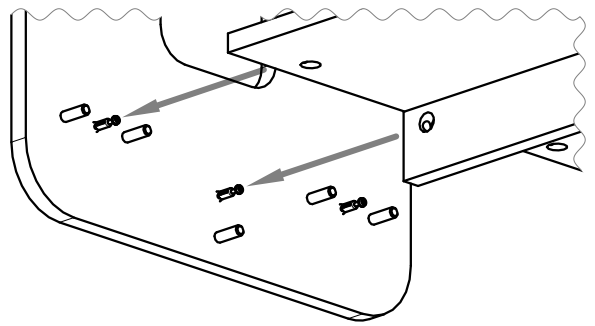


K8
TRZ

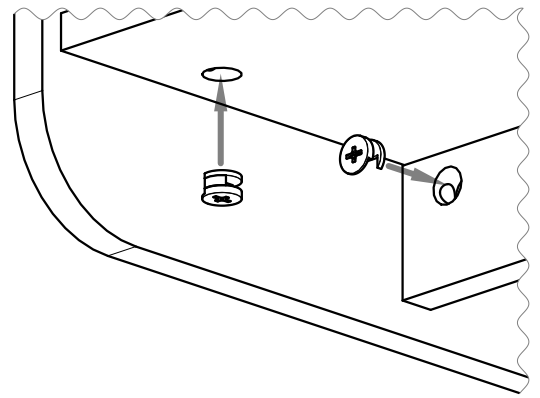
3



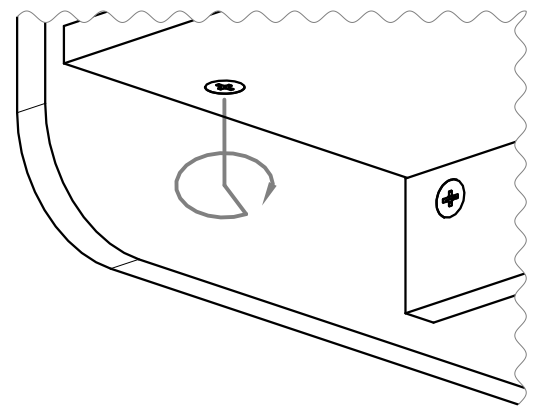
1



2



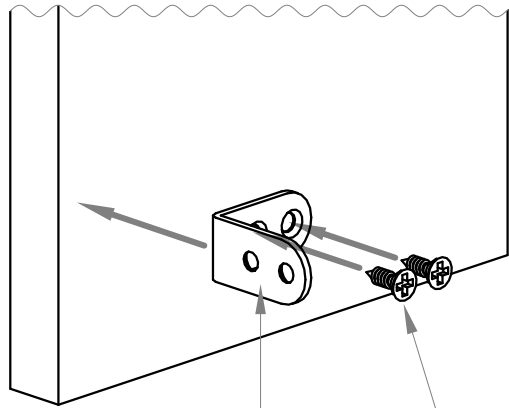
3





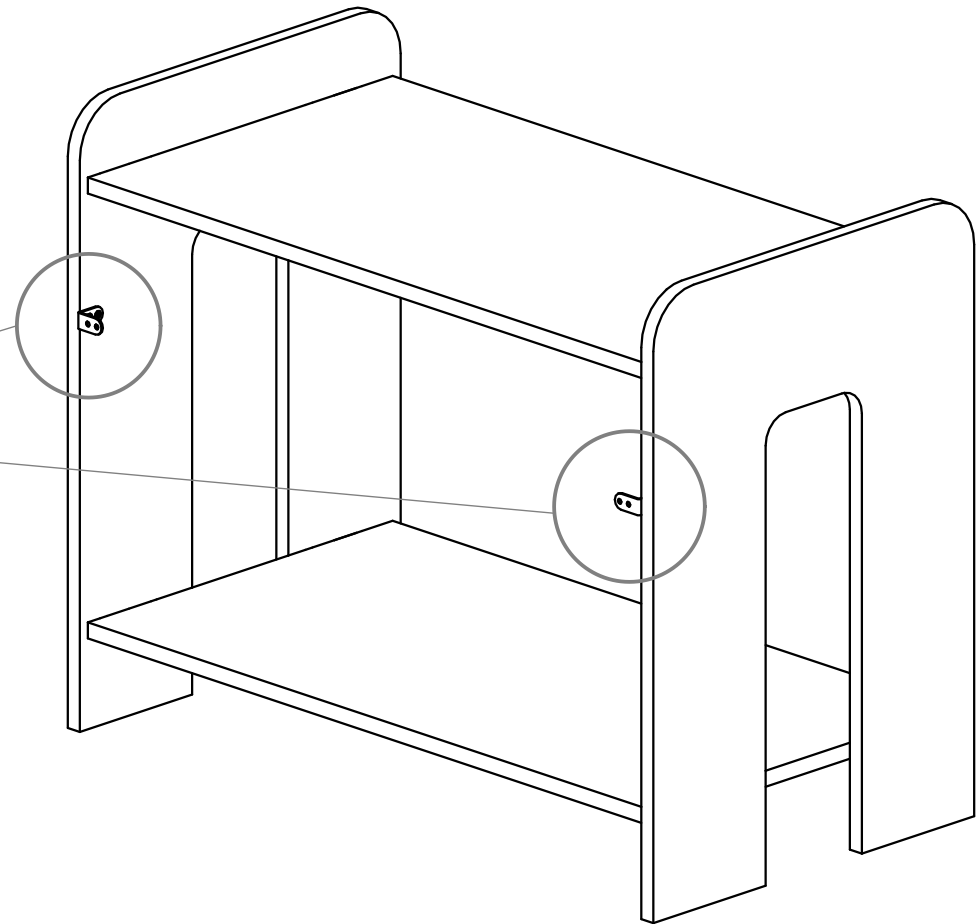
W13
M4X13

THE L90 ANGLE SECTION IS USED
TO FIX THE SHELF TO THE WALL



L90

W13



4

Mounting to the wall on your own (screws and plugs not available).

